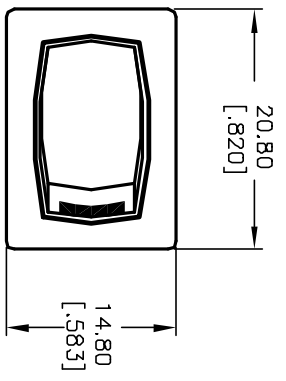
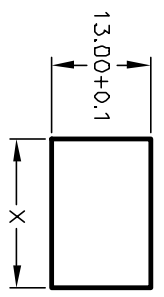
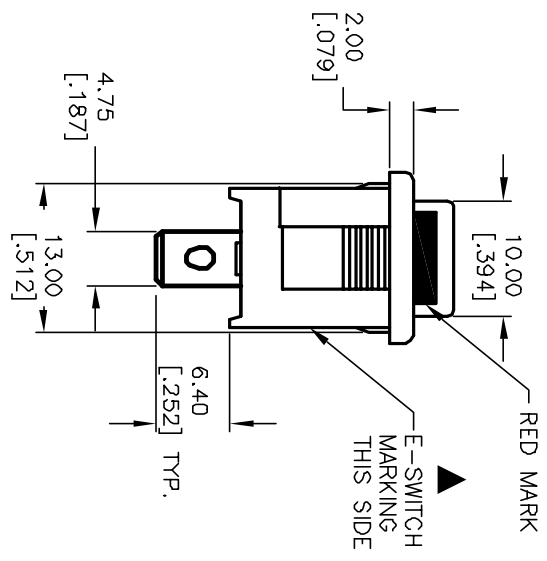
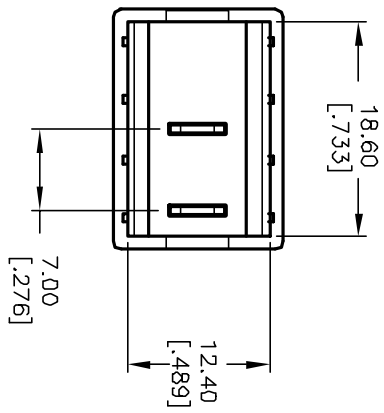
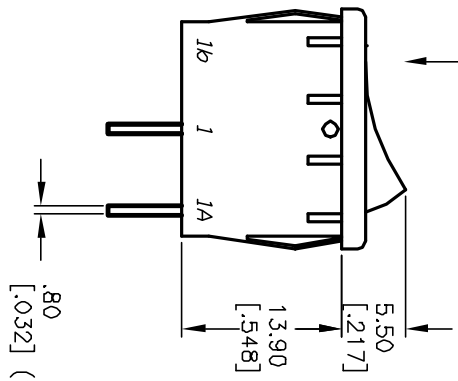


| PANEL THICKNESS | X dimension |
|-----------------------|-----------------|
| 0.75-1.25 [0.30-.049] | 19.2-.01 [7.56] |
| 1.25-2.0 [0.49-.079] | 19.4-.01 [7.64] |
| 2.0-3.0 [0.79-.118] | 19.8-.01 [7.80] |

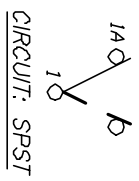


POS. 1



PANEL CUTOUT
NOT TO SCALE

| SWITCH FUNCTION | POS. 1 | POS. 2 |
|-----------------|--------|--------|
| DN | DN | OFF |
| 1-1a | OPEN | |



CIRCUIT: SPST

NOTES:

1. ALL DIMENSIONS IN MM [INCH]
2. GENERAL TOLERANCE: X.X=±0.4
X.XX=±0.25
3. TERMINAL NUMBERS FOR REF ONLY
4. RATING: 15A @ 125VAC OR
6A @ 250VAC
5. MATERIALS: TERMINALS: Silver Plated Copper Alloy
CONTACTS: Coin Silver, Silver Plated
6. ELECTRIC LIFE: 10,000 cycles
7. CONTACT RESISTANCE: <20 Mega Ω
8. INSULATION RESISTANCE: >1000 Mega Ω
9. DIELECTRIC STRENGTH: >1500 V 1 minute
>3000 V between poles

E-SWITCH®

R1966A BLK BLK LF

| | | | | |
|------|---------|-------------------------|---------|------|
| REV. | ECN No. | DESCRIPTION | DATE | CHKD |
| A | 11664 | RELEASED FOR PRODUCTION | 9/18/01 | CJB |

| | | | | | |
|-------------------|-------|---------|-----|---------|-----|
| TITLE | SCALE | DATE | DR | DWG | REV |
| R1966A BLK BLK LF | 1.5:1 | 9/18/01 | CJB | M300006 | A |

THE INFORMATION CONTAINED IN THIS DOCUMENT IS PROPRIETARY TO E-SWITCH AND IS NOT TO BE COPIED OR TRANSFERRED