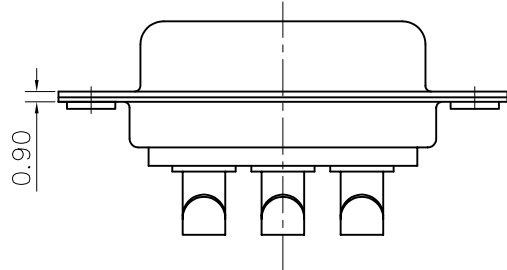
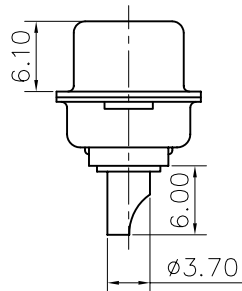
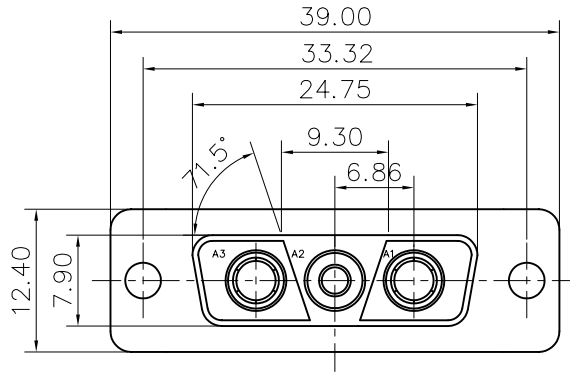


This document is the property of Amphenol Corporation and is delivered on the express condition that it is not to be disclosed, reproduced or used, in whole or in part, for manufacture or sale by anyone other than Amphenol Corporation without its prior consent, & that no right is granted to disclose or to use any information in this document.



Customer drawing

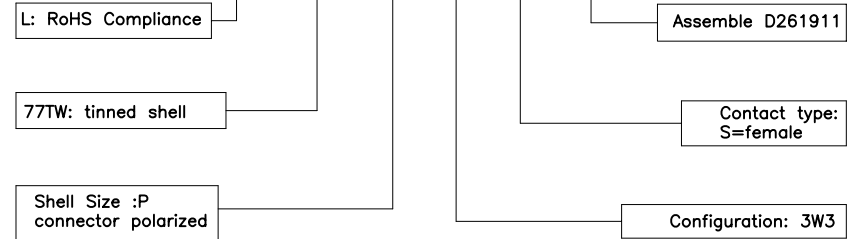
REVISIONS				
SYM	ECN	DESCRIPTION	DATE	APPROVED
1			05/26/10	IP

D-SUB TECHNICAL DATA

SHELL : Steel 2.5um(100u") min tin over 1.25um(50u") min nickel
 BODY : Glass filled thermoplastic.
 CONTACT : Power contacts : Brass
 Front power contact: 0.4um(15u") min gold over 1.25um(50") min nickel
 Rear power contact: 2.5um(100u") min tin over 1.25um(50") min nickel
 ELECTRICAL : Voltage rating 300 V RMS at 50 Hz
 Current rating 10 to 40A
 Withstanding Voltage >1000 V RMS at 50 Hz for one minute
 Insulation resistance >5000 M Ohms
 Contact resistance 20 mOhms max.
 CLIMATIC : Temperature range -55 °C up to 155°C
 Damp heat 56 days(40 °C-95% HR)
 MARKING : Amphenol...(Series No.)
 Commercial reference
 Manufacturing date

PRODUCT CODE

L 77TW P 3W3 S C702



UNLESS OTHERWISE SPECIFIED TOLERANCES U.S. METRIC .X +/- 0.50 .XX +/- 0.30 .XXX +/- 0.20 FRACTIONS +/- ANGLES +/- 5° FOR MATERIALS AND FINISHES SEE NOTES REMOVE SHARP EDGES DIMENSIONS U.S. INCHES METRIC MM	APPROVAL DRAWN Christina.cou 05/25/10 CHECKED tk.wang 05/25/10 CHECKED	DATE 05/25/10
	DRAWING FILE :	
	ANGLE OF PROJECTION 	
	SCALE NONE	

Amphenol Amphenol East Asia Limited		
TITLE Hybrid connector, TW series		
SIZE A4	DRAWING NO. C L77TW P3W3SC702	REV. 1
SCALE NONE	SHEET 1 OF 1	