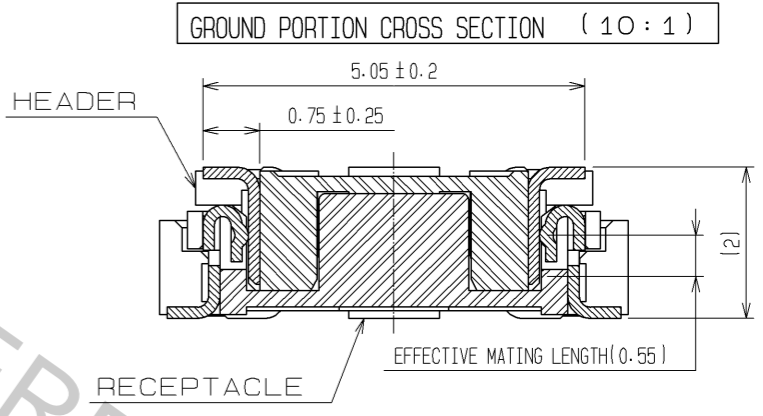
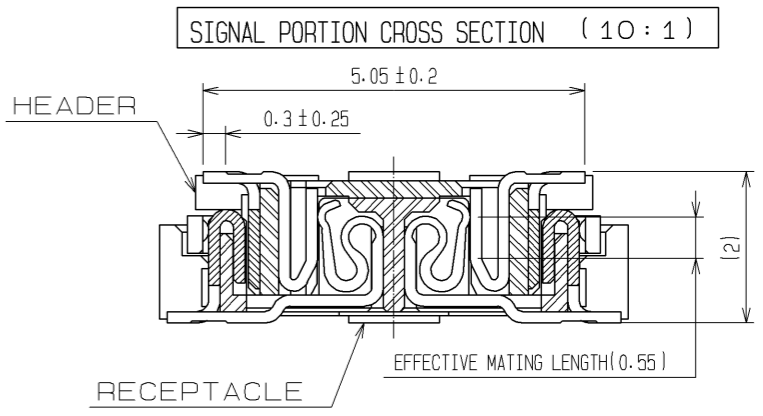
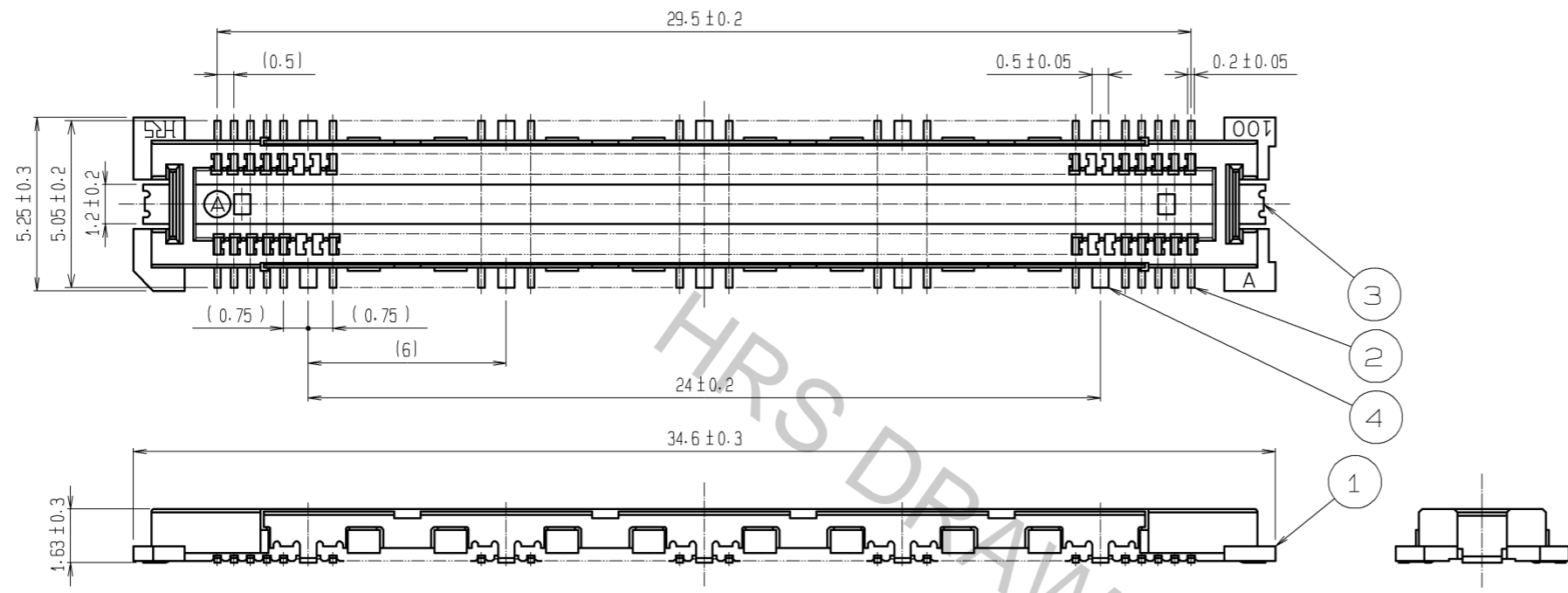
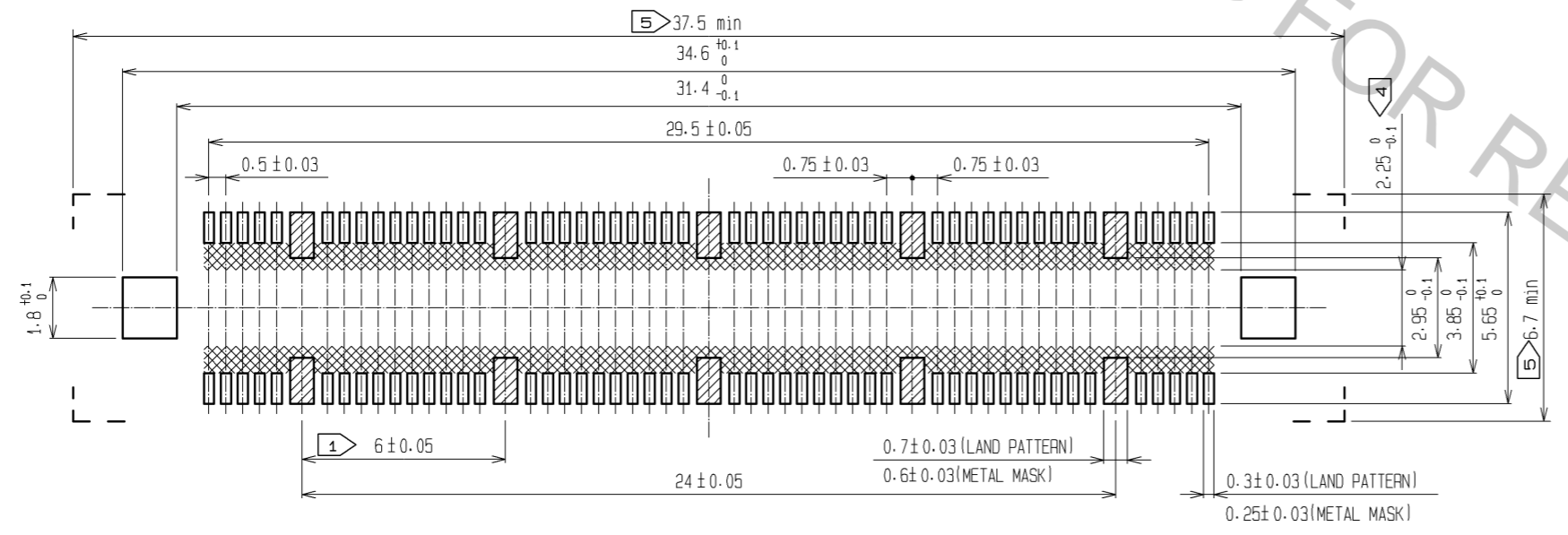


Apr.1.2017 Copyright 2017 HIROSE ELECTRIC CO., LTD. All Rights Reserved.



RECOMMENDED LAND PATTERN DIMENSION OF PCB



- NOTES
- ① 10 HATCHED PARTS: GROUND CIRCUIT.
 - ② SMT LEAD-COPLANARITY: 0.1 MAX.
 - ③ THIS PRODUCT HAS NO POLARITY TO PATTERN FOR MOUNTING.
 - ④ MAKE SURE WIDTH OF PATTERN IS WITHIN THAT OF LAND, OR LEAD MAY TOUCH PATTERN. (THIS APPLIES TO HATCHED AREA.)
 - ⑤ DO NOT MOUNT OTHER DEVICES ONTO AREA, OR MATING PAIR CANNOT BE MATED.
 - ⑥ THE DIMENSIONS IN PARENTHESES ARE FOR REFERENCE.

4	PHOSPHOR BRONZE	TIN PLATING
3	PHOSPHOR BRONZE	TIN PLATING
2	COPPER ALLOY	CONTACT AREA : GOLD 0.1μm min.
		LEAD AREA : GOLD FLASH
		UNDER PLATING : NICKEL 1μm min.

1	LCP	BEIGE	UL94V-0	NO.	MATERIAL	FINISH.	REMARKS	NO.	MATERIAL	FINISH.	REMARKS
UNITS	mm	SCALE	5 : 1	COUNT	DESCRIPTION OF REVISIONS			DESIGNED	CHECKED	DATE	
APPROVED : HS. OKAWA		07.06.04		DRAWING NO.		EDC3-152098-25					
CHECKED : HS. OZAWA		07.06.04		PART NO.		FX11LB-100P/10-SV(71)					
DESIGNED : SY. KAMIGA		07.06.04		CODE NO.		CL573-0014-6-71					
DRAWN : HK. SUNADORI		07.05.30									