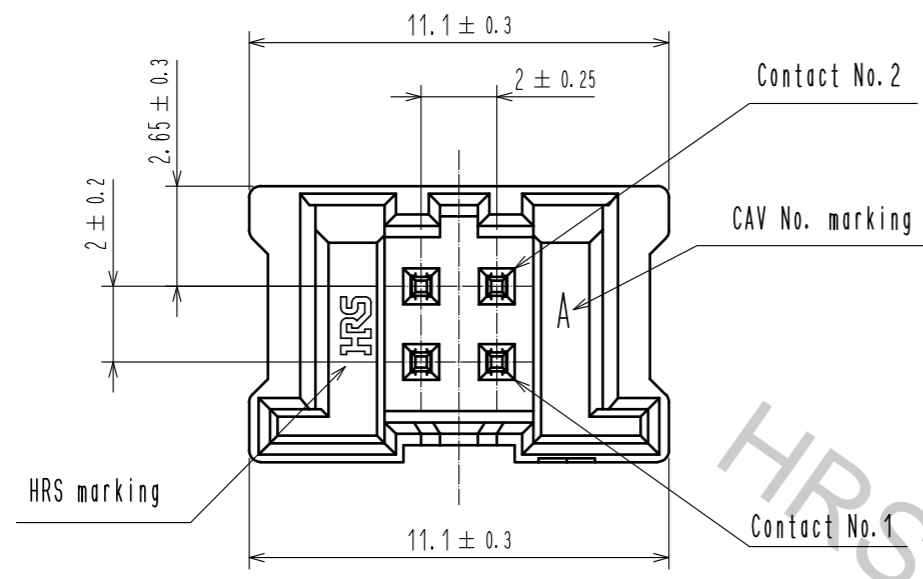
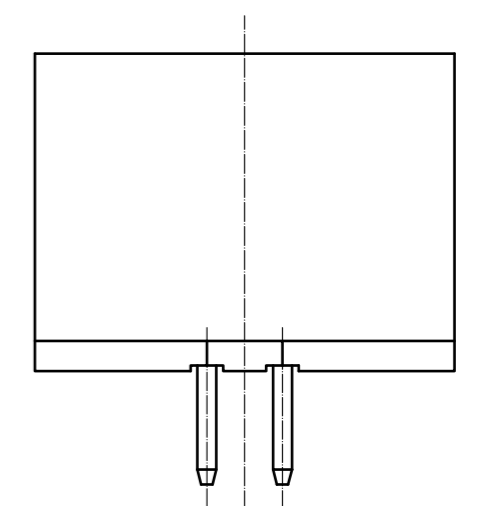
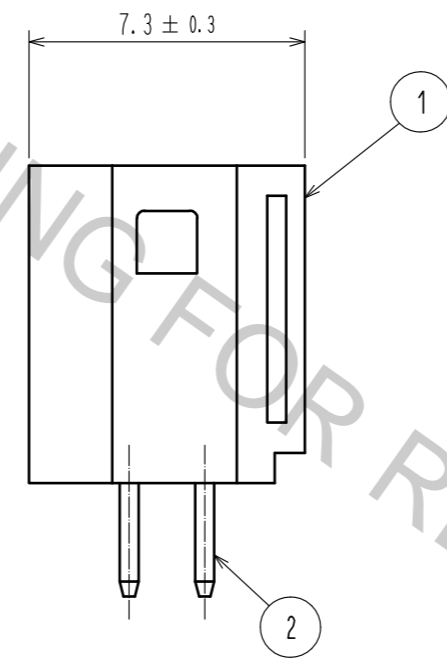
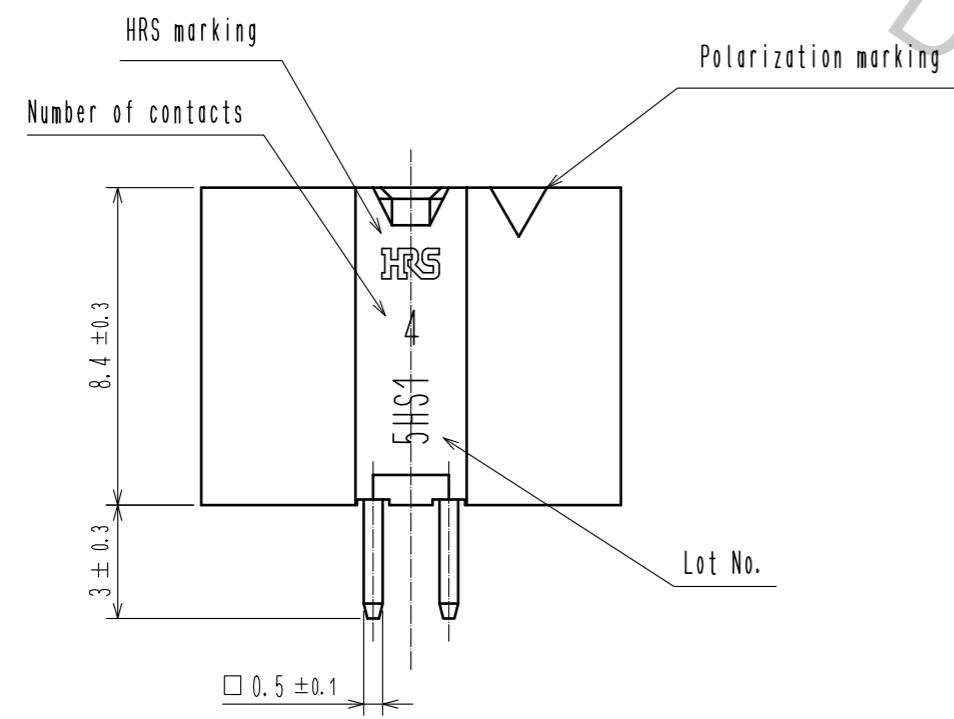
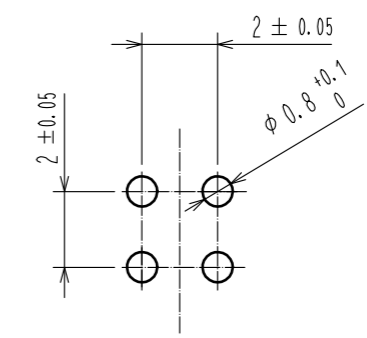


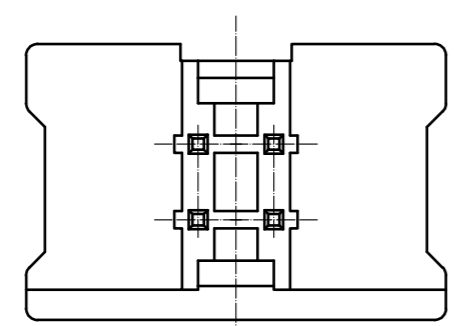
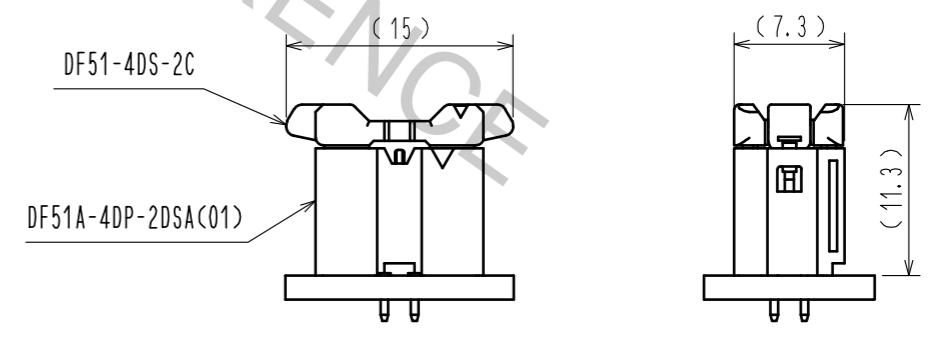
Aug.1.2018 Copyright 2018 HIROSE ELECTRIC CO., LTD. All Rights Reserved.
 In case that the application demands a high level of reliability, such as automotive,
 please contact a company representative for further information.



RECOMMENDED PATTERN(FREE)
 (BOARD THICKNESS t=1.6mm)



MATING FIGURE (2:1)



Note 1. Per pack : 100 Pieces.
 2. The dimension parenthesis are for reference.

1	PBT	UL94V-0, BLACK	2	BRASS	SURFACE: Au PLATING 0.1 μm MIN UNDER PLATING: NICKEL PLATING 0.5 μm MIN
NO.	MATERIAL	FINISH, REMARKS	NO.	MATERIAL	FINISH, REMARKS
UNITS mm		SCALE 5 : 1		COUNT	DESCRIPTION OF REVISIONS
APPROVED : HS. OKAWA		18.03.20	DRAWING NO. EDC-363503-01-00		
CHECKED : ST. WADA		18.03.20	PART NO. DF51A-4DP-2DSA(C01)		
DESIGNED : TH. SATO		18.03.20	CODE NO. CL543-5015-0-01		
DRAWN : TH. SATO		18.03.20	DATE		
HRS HIROSE ELECTRIC CO., LTD.			1/1		