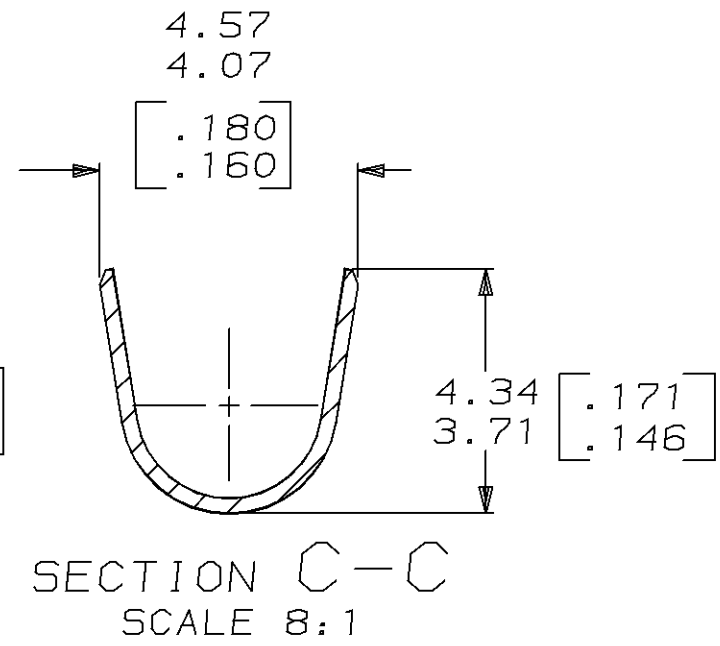
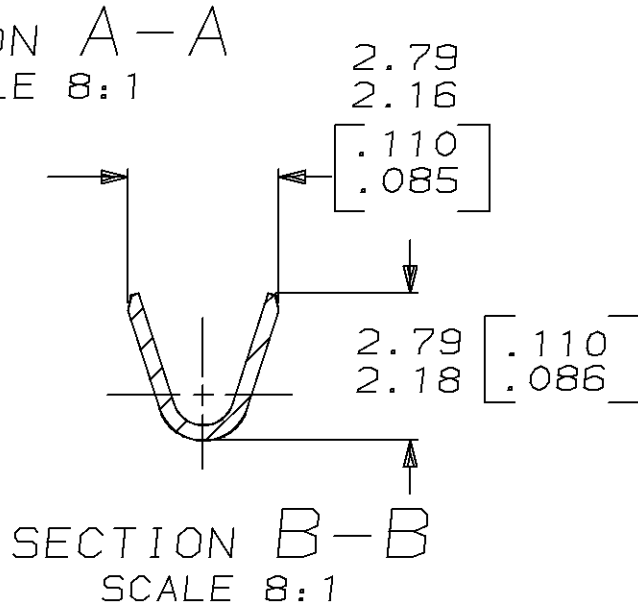
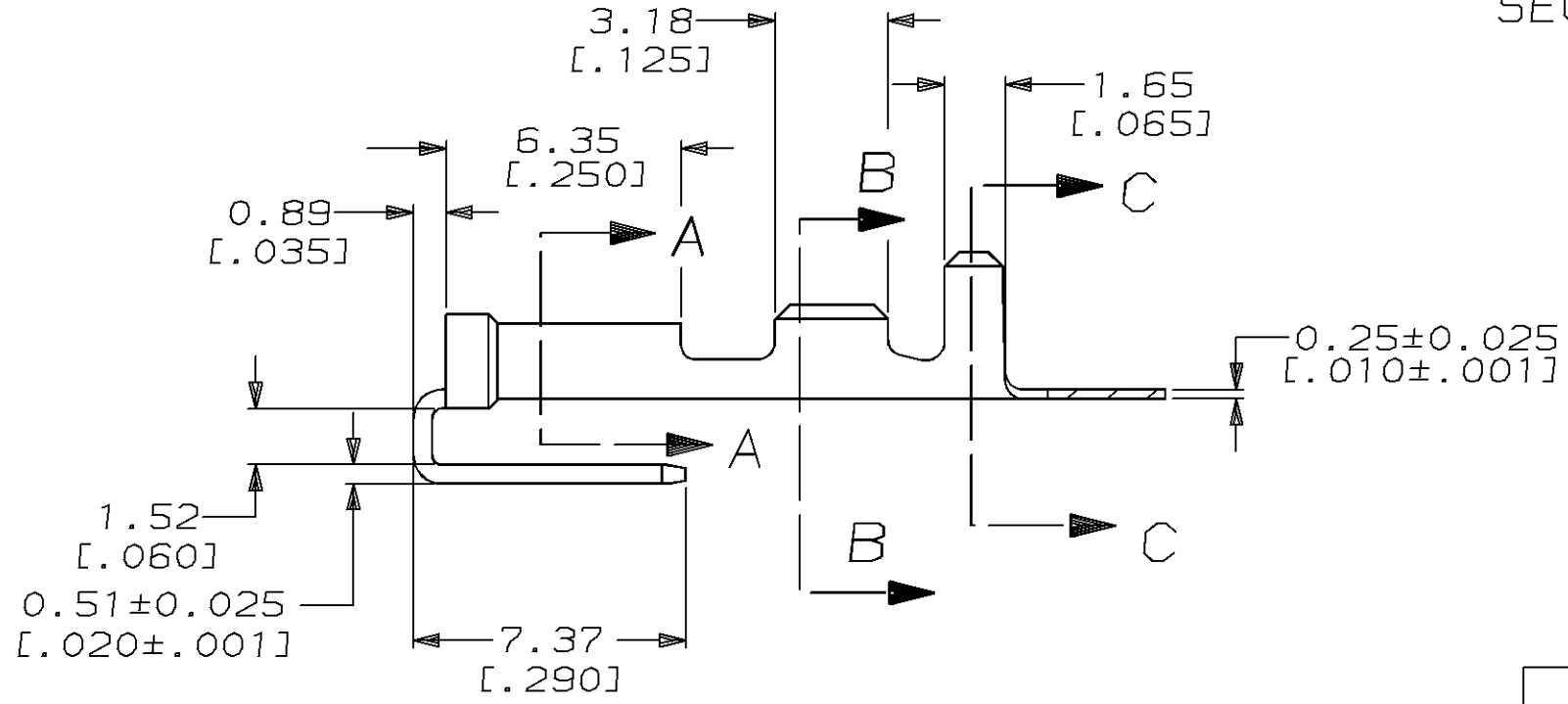
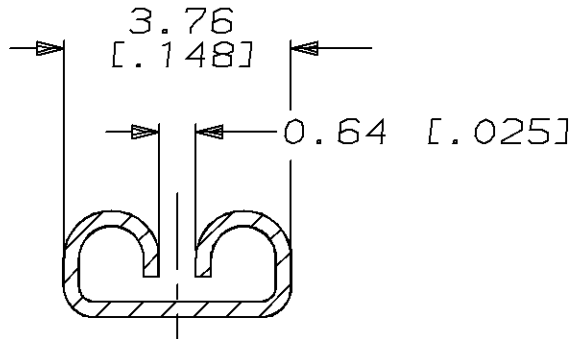
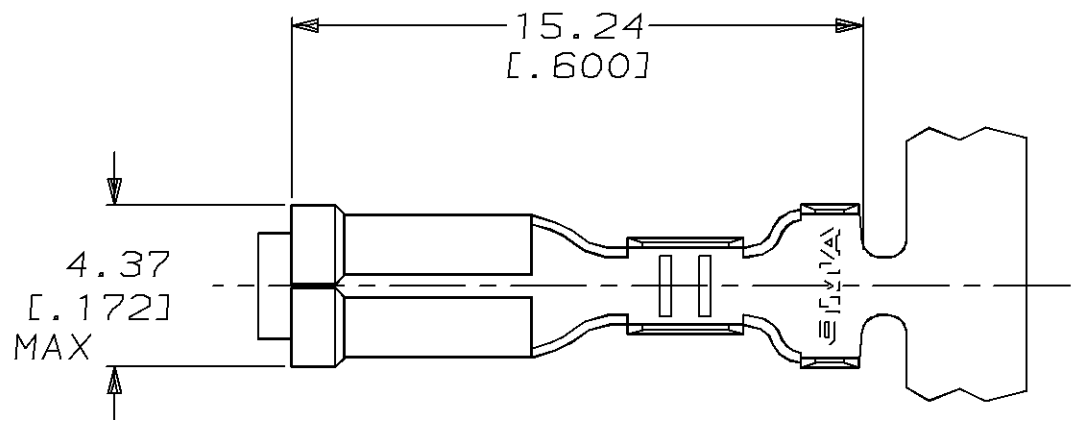


THIS DRAWING IS UNPUBLISHED. RELEASED FOR PUBLICATION, 19 .
 © COPYRIGHT 19 BY AMP INCORPORATED. ALL INTERNATIONAL RIGHTS RESERVED.

LOC	DIST	P	F	REVISIONS				
				ZONE	LTR	DESCRIPTION	DATE	APPD
AF	50				D	REDRAWN PER 0710-0215-95	5/22/95	JR/PD

- CONTINUOUS STRIP ON REELS.
- FIRST INSERTION 10 LBS MAX.
FIRST EXTRACTION 2 LBS MIN.
USE TEST TAB 1-62061-0



THIS DRAWING IS A CONTROLLED DOCUMENT FOR AMP INCORPORATED. IT IS SUBJECT TO CHANGE AND THE CONTROLLING ENGINEERING ORGANIZATION SHOULD BE CONTACTED FOR THE LATEST REVISION.

2.03-3.05 DIA [.080-.120] DIA	[#22-#18] AWG	0.46±0.025 [.018±.001]	63242-1
INSULATION RANGE	WIRE SIZE	MATING TAB THICKNESS	PART NO
DO NOT SCALE PRINT. UNLESS SPECIFIED DIMENSIONS IN mm [INCHES] TOLERANCES ON: 2 PLC DEC ± 0.38 [.015] 3 PLC DEC ± - ANGLES ± -	DR 5/16/95 JR RUTH CHK 5/16/95 MS FEHER APPD 5/16/95 P DESANTIS APPD 5/16/95 R REINER PRODUCT SPEC -	AMP AMP Incorporated Harrisburg, PA 17105-3608 NAME RECEPTACLE, FASTON, PIGGYBACK, 2.79 [.110] SERIES	
MATERIAL H04 BRASS	FINISH -	SIZE B	CAGE CODE 00779
	APPLICATION SPEC -	DRAWING NO C-63242	
	WEIGHT -	SCALE 5:1	SHEET 1 OF 1