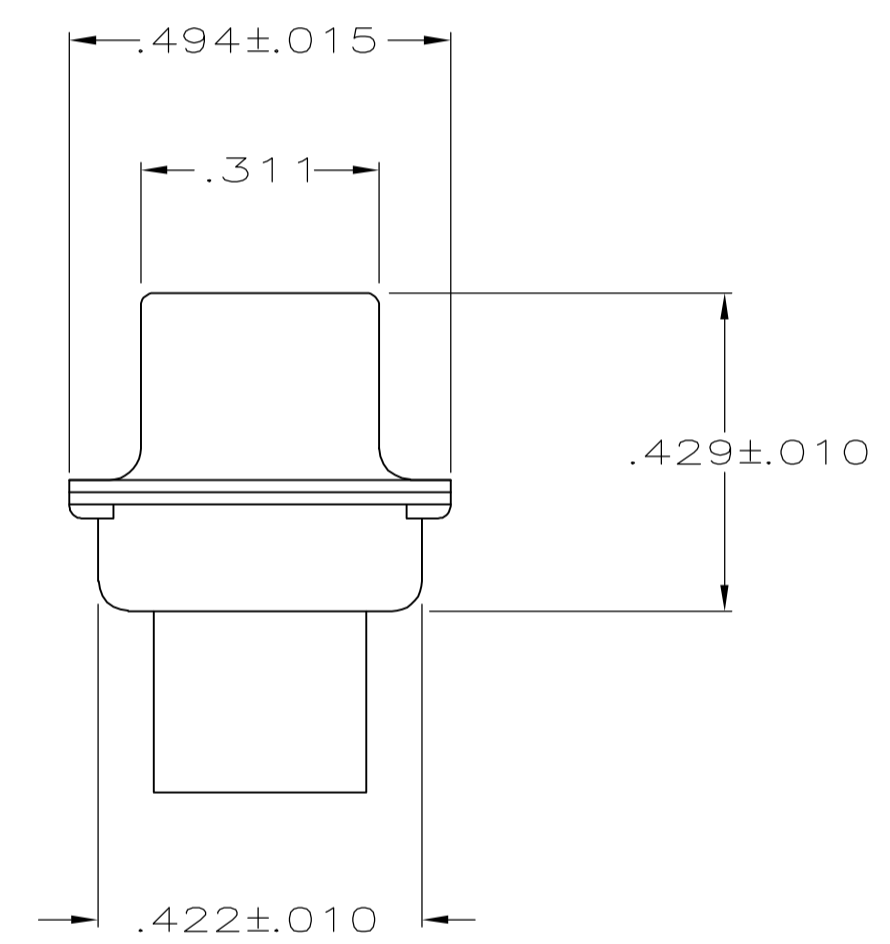
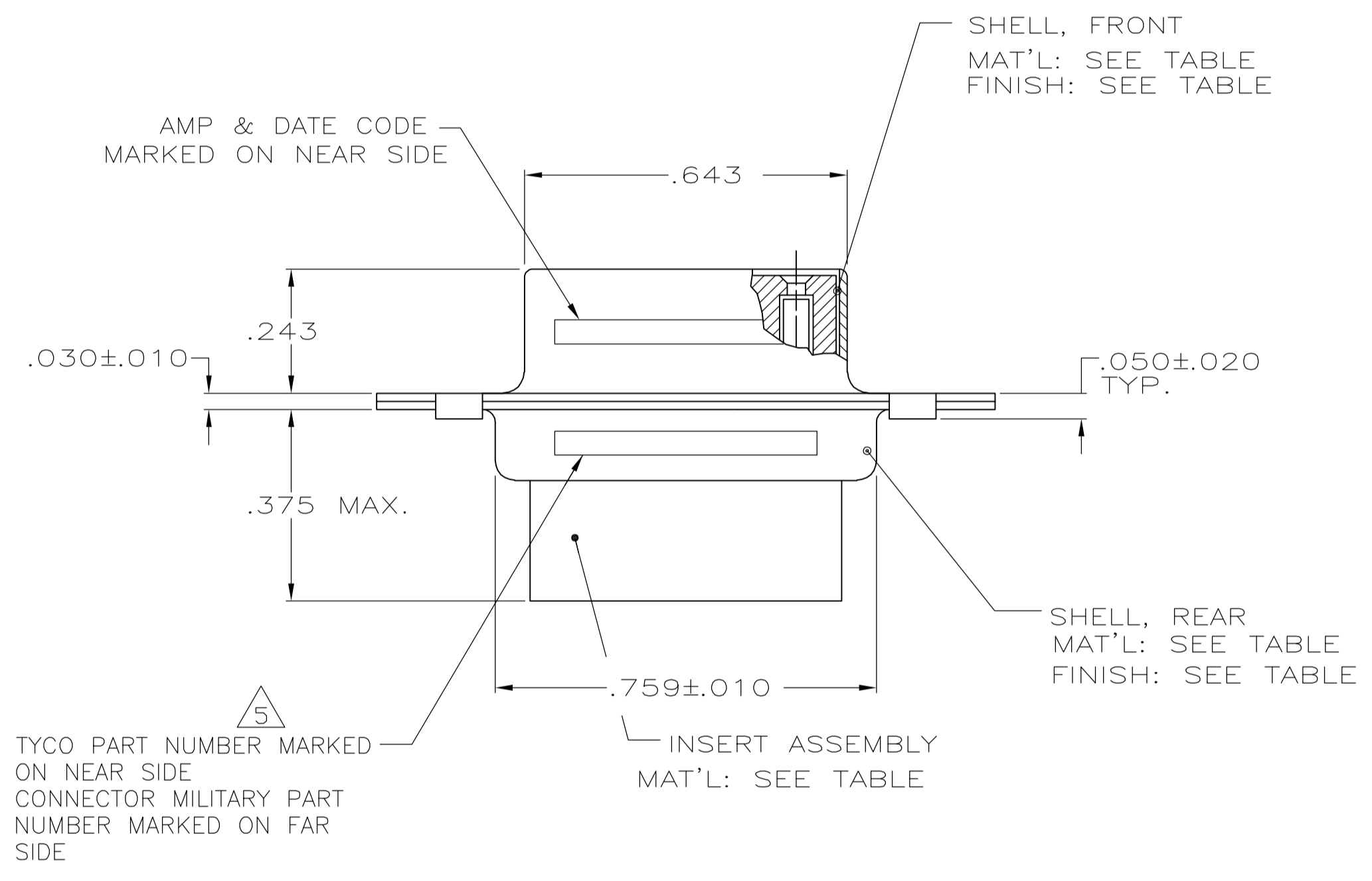
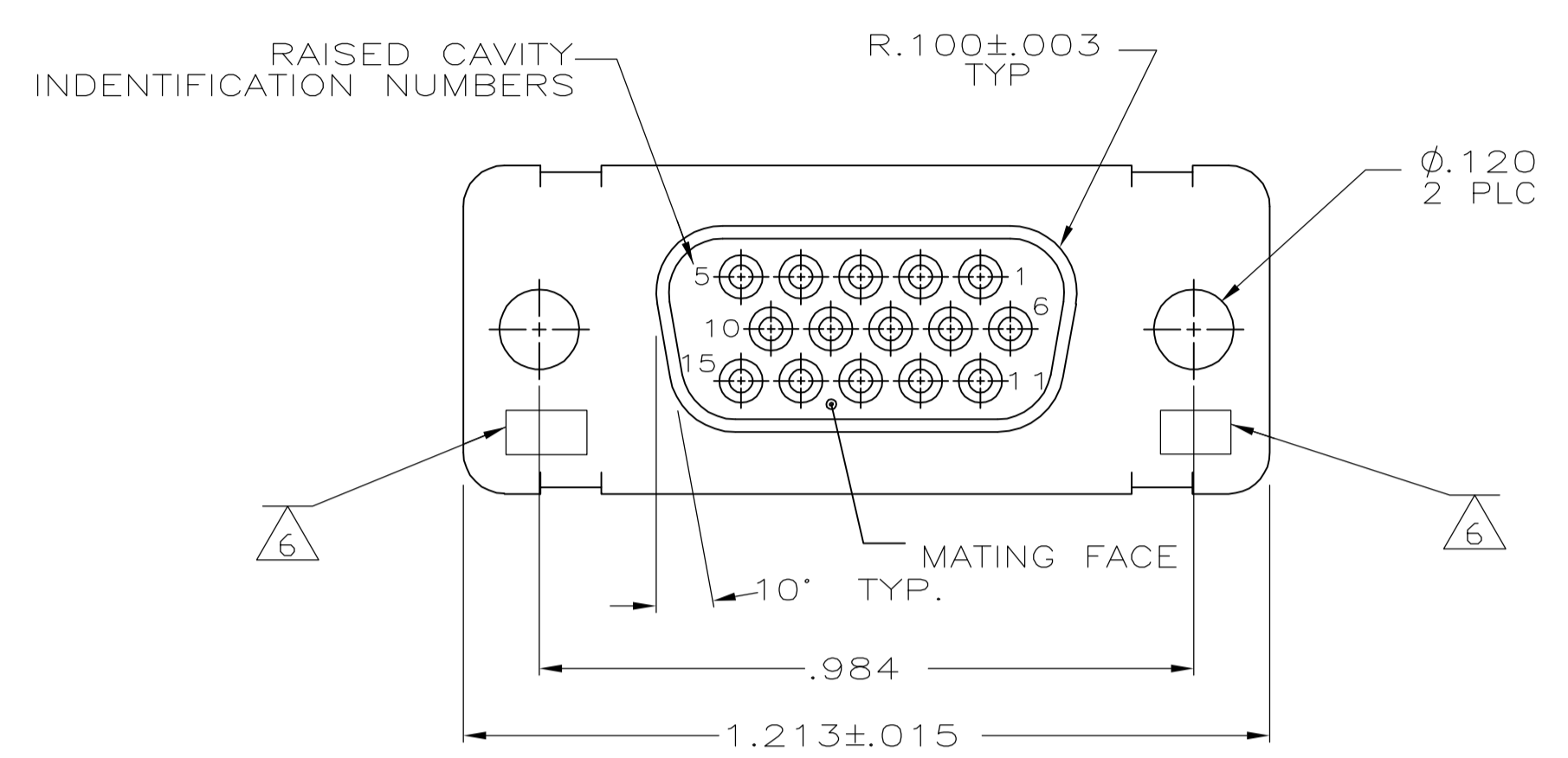


LOC		DIST		REVISIONS			
DF	DO	REV	DESCRIPTION	DATE	BY	APP'D	
U			REV PER ECO-06-005860	16MAR06	TK	CT	

1. THIS RCPT. IS DESIGN TO CONFORM TO THE LATEST ISSUE OF MIL-C-24308.
  2. MAX WIRE INSUL TO BE USED WITH THIS RCPT IS .054 DIA.
  3. METAL RETENTION CLIPS AREA INCLUDED IN INSERTS.
  4. THIS RCPT WILL ACCEPT SIZE 22 SOCKET CONTACT M 39029/57-354 OR ANY HDD-22 CONTACT.
- 5 TYCO PART NO. STAMPED ON CONNECTOR REPRESENTS KIT NUMBER WITH CONTACTS.  
6 UL/CSA DESIGNATION STAMPED ON SHELL.  
7 FINISH: PLATED BRIGHT TIN .000400 MIN THK PER ASTM-B-545 OVER COPPER PLATE .000050 MIN THK PER MIL-C-14550.



204500-4	-	-	<span style="border: 1px solid black; padding: 2px;">7</span>	STEEL, CLASS G	POLYPHENEYLENE SULFIDE (PPS) GST-40F PER MIL-M-24519 OR GLASS FILLED POLYESTER TPES013G30 PER ASTM D5927	204500-4
-	-	-	CADMIUM PER QQ-P-416	STEEL, CLASS G	PHENOLIC COLOR: BLACK	204500-3
SUPSD BY 204500-1	-	-	CADMIUM PER QQ-P-416	BRASS	DIALYL P-THALATE COLOR: BLUE	204500-2
204512-2	<span style="border: 1px solid black; padding: 2px;">5</span>	M24308/2-286F	M24308/2-11F	CADMIUM PER QQ-P-416	POLYPHENEYLENE SULFIDE (PPS) GST-40F PER MIL-M-24519 OR GLASS FILLED POLYESTER TPES013G30 PER ASTM D5927	204500-1
TYCO P/N MARKED ON CONNECTOR	MILITARY P/N ON PACKAGE	MILITARY P/N ON CONNECTOR	SHELL FINISH	SHELL MATERIAL	INSERT MATERIAL	PART NUMBER

THIS DRAWING IS A CONTROLLED DOCUMENT.

DIMENSIONS: INCHES	TOLERANCES UNLESS OTHERWISE SPECIFIED:	DRAWN: C.C. THOMAS 1-12-05	CHK: D. MILLER 1-12-05	APPROVED: D. MILLER 1-12-05	NAME: D. MILLER	DATE: 1-12-05	PRODUCT SPEC: RCPT ASSY, AMPLIMITE, SIZE 1,15 POSN, SERIES 90
0 PLC ± -	1 PLC ± -	2 PLC ± -	3 PLC ± .005	4 PLC ± -	ANGLES ± -	FINISH: SEE CALLOUTS	RESTRICTED TO: -
MATERIAL: SEE CALLOUTS	FINISH: SEE CALLOUTS	WEIGHT: -	SCALE: 4:1	SHEET: 1 OF 1	REV: U	CUSTOMER DRAWING	SCALE: 4:1 SHEET: 1 OF 1 REV: U

Tyco Electronics Corporation  
 Harrisburg, PA 17105-3608  
 Drawing No: A100779C=204500