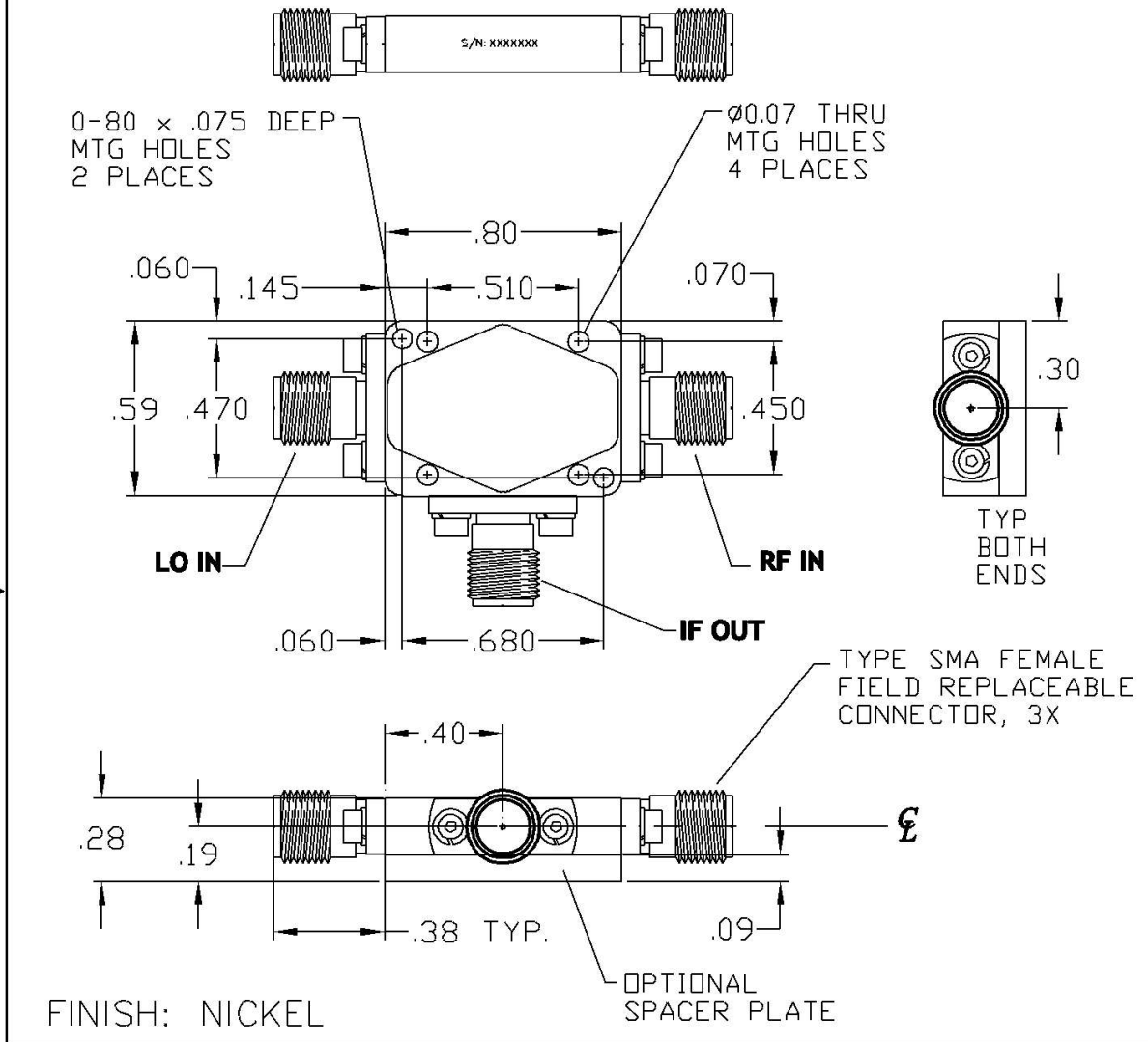


DASH NO.	APPLICATION		REVISIONS			
	NEXT ASSY	USED ON	LTR	DESCRIPTION	DATE	APPROVED
			D	ASQL-Form	6/9/2006	L. Cardinal
			D	CORRECTED DIMS, ADDED MISSING DIMS, SHOW CORRECT HSG		



ALL PAGES ARE OF ORIGINAL ISSUE (A) EXCEPT AS NOTED.	CONTR NO.	MQ0140890	100 Davids Drive, Hauppauge, New York 11788
	ORIG. DRN BY	D. Lolicera	
UNLESS OTHERWISE SPECIFIED DIMENSIONS ARE IN INCHES (MM) TOLERANCES ON DECIMAL ANGLES .XX±.01 .XXX±.005 ±0°30'	PREP BY	D. LoCICERO	9/16/1991
	CHKD BY	L. Cardinal	5/14/2007
	PROJ ENGR	S. Spohner	5/15/2007
APPROVAL (PROJ)		SIZE	CODE IDENT. NO.
APPROVAL (GOVT)		A	33592
		SCALE	REV. D
			SHEET 1 OF 1