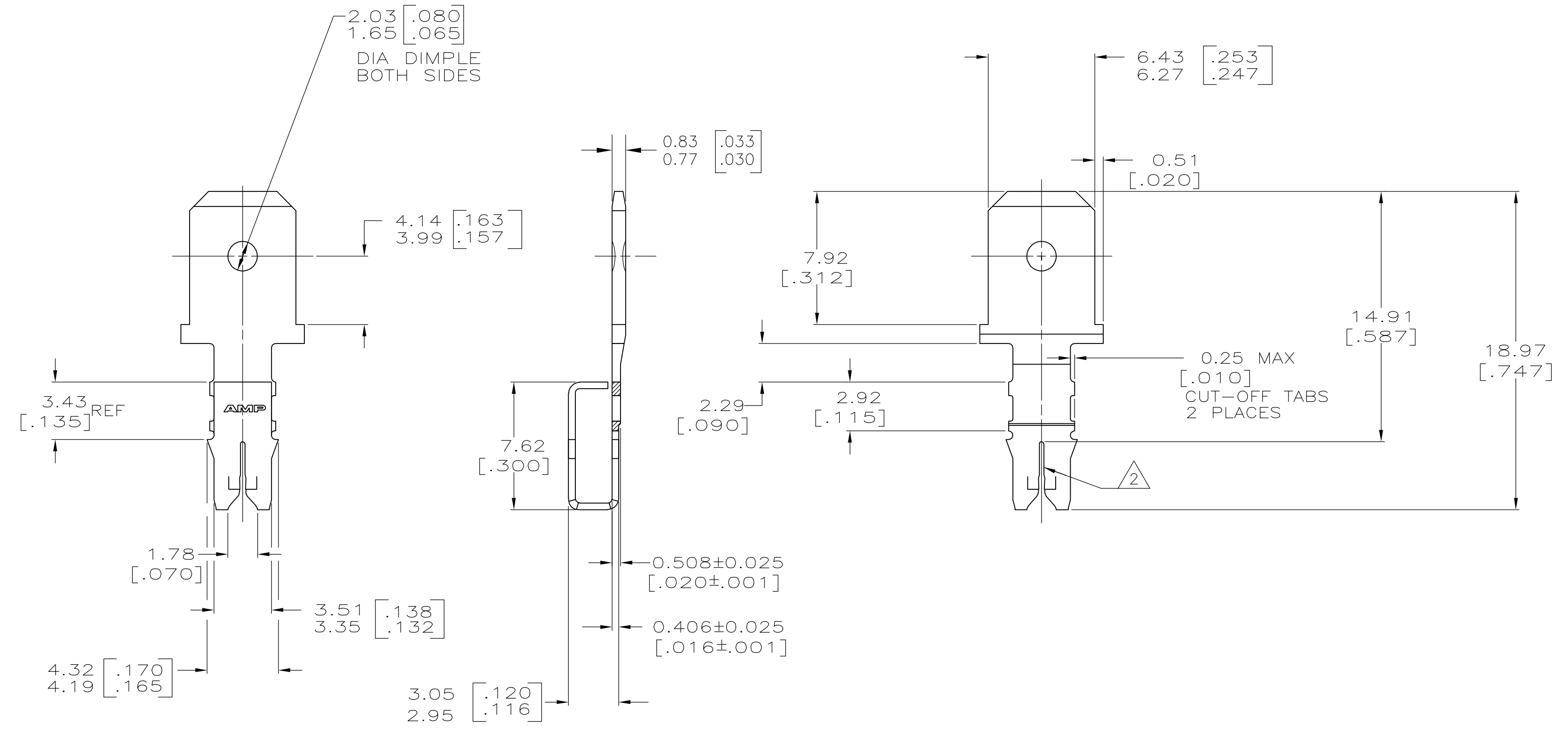


THIS DRAWING IS UNPUBLISHED. RELEASED FOR PUBLICATION
 © COPYRIGHT BY TYCO ELECTRONICS CORPORATION. ALL RIGHTS RESERVED.

LOC	DIST	REVISIONS			
P	LTR	DESCRIPTION	DATE	DWN	APVD
AF	50	A	REVISED PER ECR-06-010412	06NOV06	HMR KR

- 1 CONTINUOUS STRIP ON REELS WITH TERMINALS LOCATED ON 8.38±0.08 [.330±.003] CENTERS.
- 2 SLOT TERMINATES EITHER SINGLE OR DOUBLE MAGNET WIRES OF THE SAME TYPE AND SIZE, COPPER RANGE IS 0.36-0.57mm [#27-#23] AWG.
- 3 AFTER INSERTION INTO PLASTIC HOLDER TAB PORTION MUST BE BENT OVER 45° TO 90° OR POTTED-IN TO PREVENT PULL-OUT WHEN MATING RECEPTACLE IS DISCONNECTED.



62657-1
PART NO

THIS DRAWING IS A CONTROLLED DOCUMENT.		DWN	13/MAR/95		Tyco Electronics Corporation	
		CHK	14/MAR/95		Harrisburg, PA 17105-3608	
		APVD	23/MAR/95	NAME	TAB,	
		MICHAEL S. FEHER		6.35 [.250] FASTON™		RESTRICTED TO
		RICHARD GRZYBOWSKI		LOOSE PIECE, MAG-MATE™		
		NELSON F. NEFF		PRODUCT SPEC	108-2012	
				APPLICATION SPEC	114-2046	
				SIZE	CAGE CODE	DRAWING NO
				A2	00779	62657
				WEIGHT	-	
				CUSTOMER DRAWING	SCALE	5:1
				SHEET	1 of 1	
				REV	A	