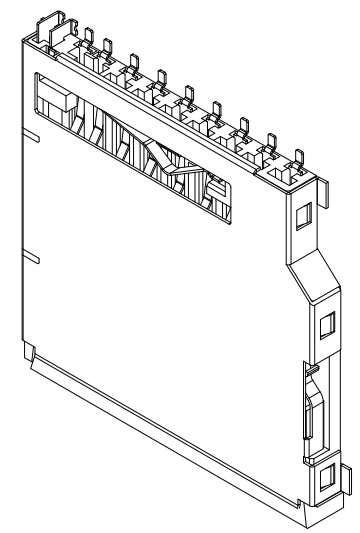
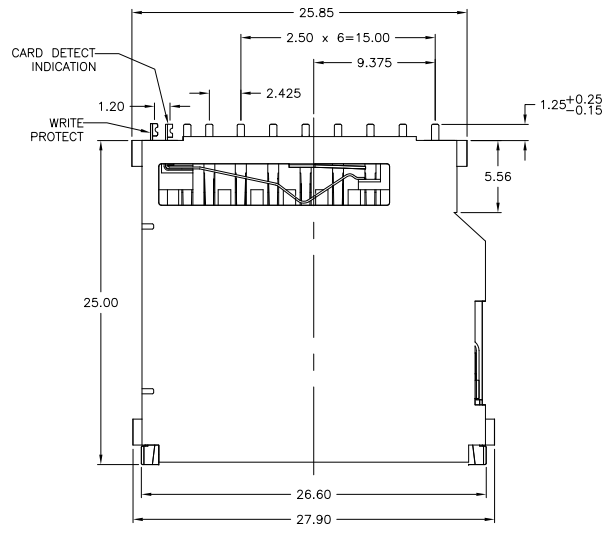
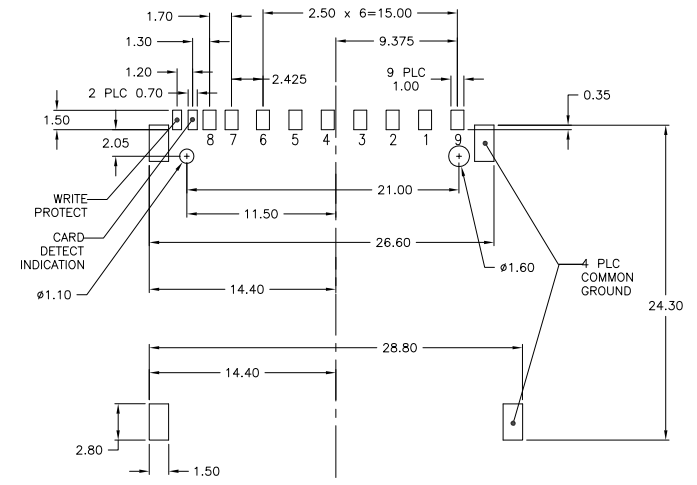
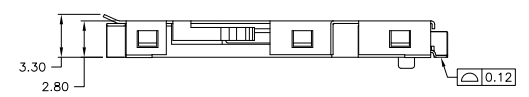
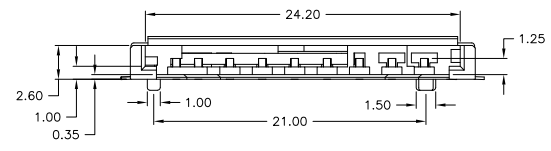


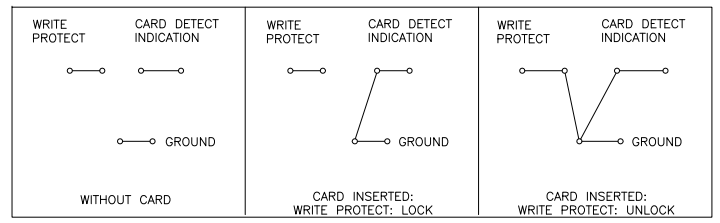
LOC		REV		REVISIONS		
GP	00	CHK	APP	DESCRIPTION	DATE	BY
A6				REVISED PER ECO-12-008936	20JUL2012	JL WK



- 1. MATERIAL:
HOUSING: THERMOPLASTIC, WITH 30% GLASS FIBER FILLED, UL 94V-0 RATED, COLOR: IVORY.
CONTACTS: PHOSPHOR BRONZE, THICKNESS=0.20mm.
SHIELD: STEEL ALLOY, THICKNESS=0.20mm.
- 2. FINISH:
CONTACT: 30μ" MIN GOLD PLATED ON CONTACT AREA.
80μ" MIN MATTE TIN PLATED ON SOLDERTAILS.
50μ" MIN NICKEL UNDERPLATE ALL OVER.
SHIELD: GOLD FLASH ON SOLDERING AREA. 30μ" MIN NICKEL UNDERPLATED ALL OVER.
- 3. FINISH:
CONTACT: 10μ" MIN GOLD PLATED ON CONTACT AREA.
80μ" MIN MATTE TIN PLATED ON SOLDERTAILS.
50μ" MIN NICKEL UNDERPLATE ALL OVER.
SHIELD: GOLD FLASH ON SOLDERING AREA. 30μ" MIN NICKEL UNDERPLATED ALL OVER.
- 4. SWITCH: NORMALLY OPEN.
- 5. REFLOW SOLDER CAPABLE TO 260°C PER TE CONNECTIVITY SPEC 109-201, CONDITION B.



CIRCUIT:



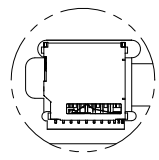
3	REEL	2041021-4
3	TRAY	2041021-3
2	REEL	2041021-2
2	TRAY	2041021-1
FINISH	PACKAGING	PART NUMBER

RECOMMENDED PCB LAYOUT
TOLERANCES: ±0.05mm

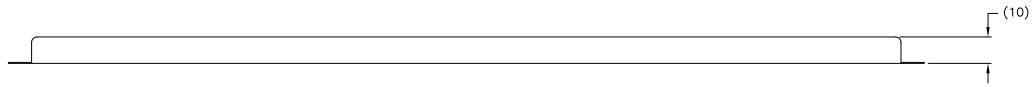
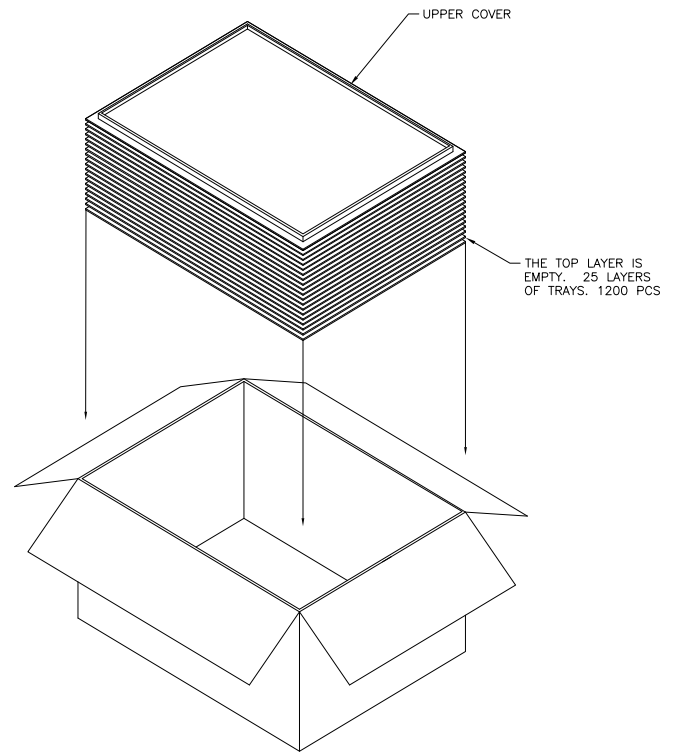
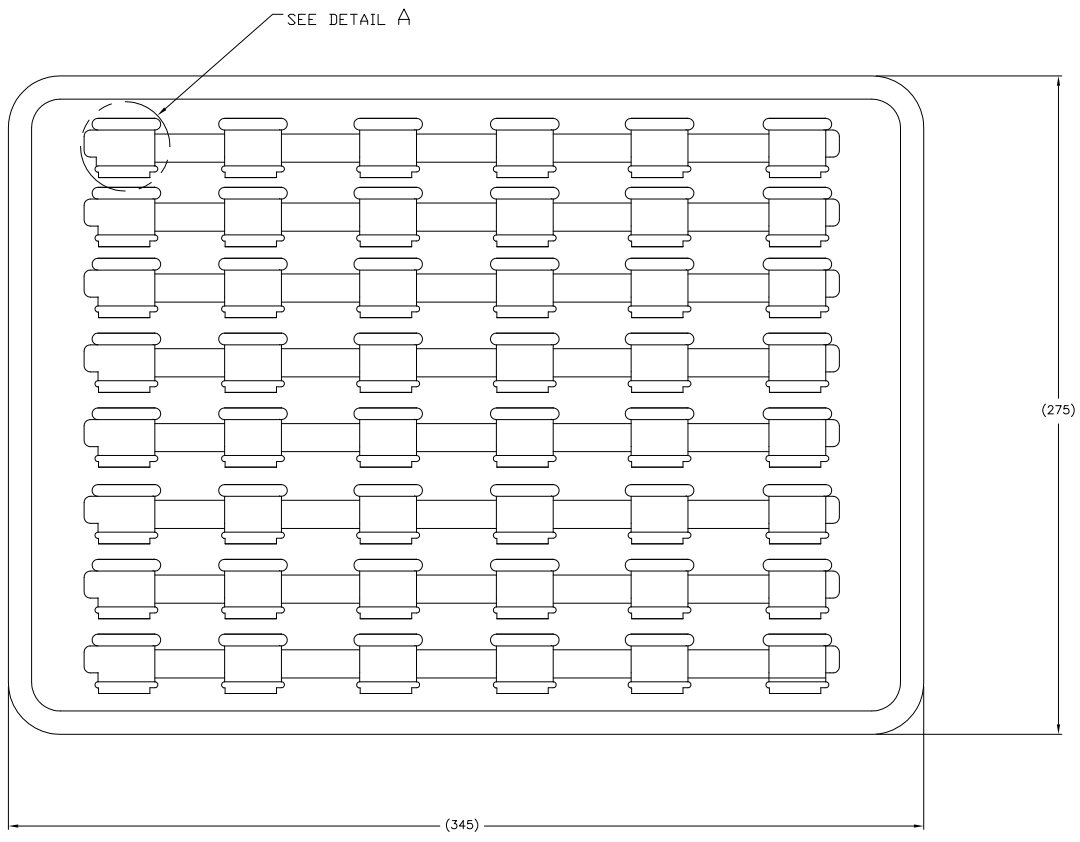
THIS DRAWING IS A CONTROLLED DOCUMENT.

DESIGNED BY: B. MCMASTER 25/FEB/08	DATE: 25/FEB/08	REVISED BY: D. SORENSEN 25/FEB/08	DATE: 25/FEB/08
APPROVED BY: D. SORENSEN 25/FEB/08	DATE: 25/FEB/08	NAME: D. SORENSEN	NAME: D. SORENSEN
DIMENSIONS: mm		APPLICATION SPEC	
0.150 ± 0.05	0.300 ± 0.05	0.600 ± 0.05	1.200 ± 0.05
1.500 ± 0.05	3.000 ± 0.05	6.000 ± 0.05	12.000 ± 0.05
15.000 ± 0.05	30.000 ± 0.05	60.000 ± 0.05	120.000 ± 0.05
MATERIAL: 1		FINISH: 2, 3	
WEIGHT: -		SIZE: A1	DATE CODE: 00779
CUSTOMER DRAWING		DRAWING NO: C=2041021	RESTRICTED TO: -
SCALE: 5:1		SHEET: 1 of 3	REV: A6

REV	DATE	BY	APP'D	DESCRIPTION
GP 00				SEE SHEET 1

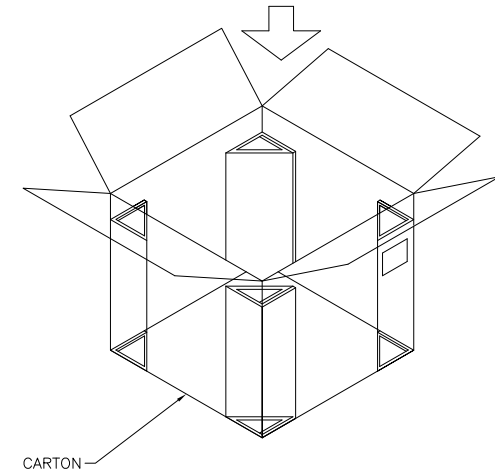
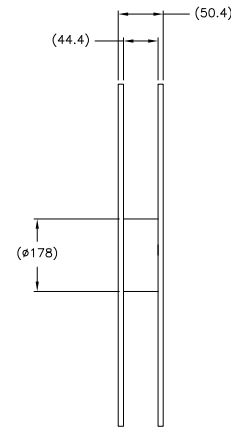
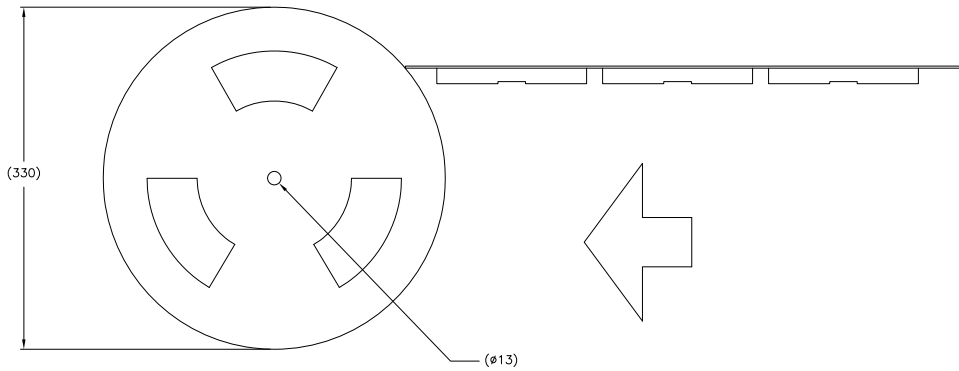
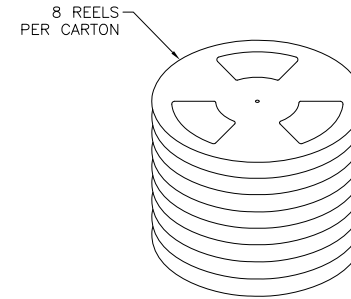
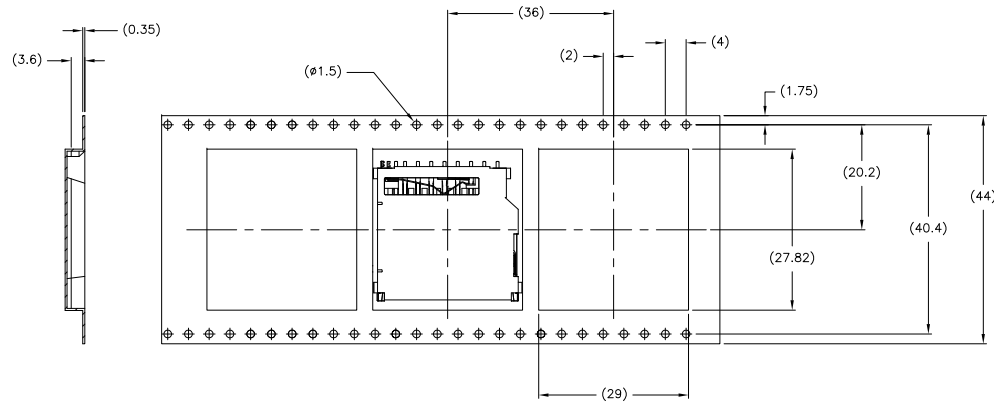


DETAIL A
 PART ORIENTATION
 SHOWN FOR REFERENCE



TRAY PACKAGING FOR
 2041021-1 AND 2041021-3
 48 PIECES PER TRAY.
 -NTS-

THIS DRAWING IS A CONTROLLED DOCUMENT.		REV. 25/EK08	TE Connectivity	
DESIGNED BY: B. MCMASTER		25/EK08	TE Connectivity	
CHECKED BY: D. SORENC		25/EK08	TE Connectivity	
DRAWN BY: D. SORENC		25/EK08	TE Connectivity	
PRODUCT SPEC: -		SECURE DIGITAL CARD CONNECTOR		
APPLICATION SPEC: -		SIZE: A1	DWG NO: 00779	REV: 2
MATERIAL: -		WEIGHT: -	SCALE: 5:1	SHEET 2 of 3
FINISH: -		CUSTOMER DRAWING		REV: A6



TAPE AND REEL PACKAGING FOR
2041021-2 AND 2041021-4
300 PIECES PER REEL
-NTS-

THIS DRAWING IS A CONTROLLED DOCUMENT.		DATE: 25/FEB/08	TE Connectivity	
DRAWN BY: B. MCMASTER		DATE: 25/FEB/08	TE Connectivity	
CHECKED BY: D. SORENC		DATE: 25/FEB/08	TE Connectivity	
APPROVED BY: D. SORENC		DATE: 25/FEB/08	TE Connectivity	
PRODUCT SPEC: 2041021-2		SECURE DIGITAL CARD CONNECTOR		
APPLICATION SPEC: 2041021-4		SIZE: A1	DATE CODE: 00779	DRAWING NO: C=2041021
MATERIAL: 2041021-2		WEIGHT: 0.1	RESTRICTED TO: 3	REV: 3
FINISH: 2041021-4		SCALE: 5:1	SHEET: 3	REV: 3
CUSTOMER DRAWING		A6		