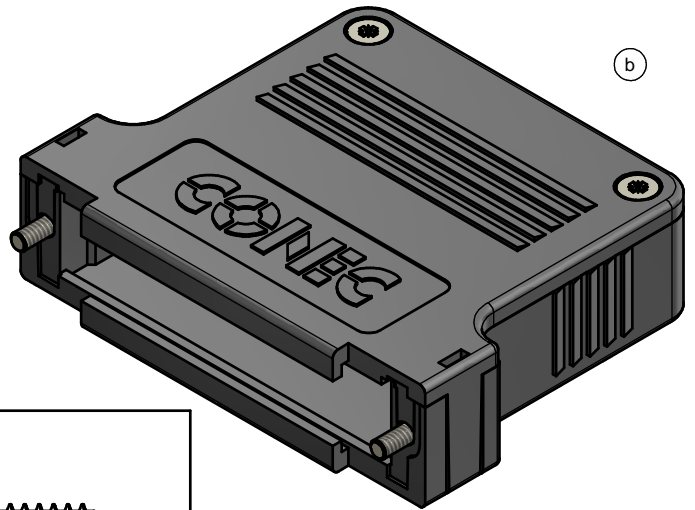



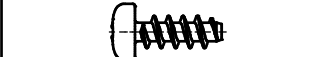
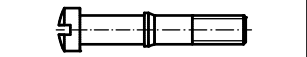

NOTES: (b)

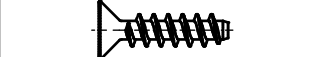
1. HOOD + COVER: PBT UL 94 V-0; BLACK
2. CABLE STRAIN RELIEF: STEEL; NICKEL PLATED
3. PRESS INSERT: ABS UL 94 V-0; BLACK
4. SHORT SCREWS: STEEL; NICKEL PLATED
5. COVER SCREWS: STEEL; NICKEL PLATED
6. LENS HEAD SCREWS: STEEL; NICKEL PLATED

TECHNICAL DATA:

- TEMPERATURE RANGE: -40°C to + 125°C



 <p>CABLE STRAIN RELIEF (1x)</p>	 <p>LENS HEAD SCREW (2x)</p>
 <p>SHORT SCREW (2x)</p>	 <p>PRESS INSERT (1x)</p>

 <p>COVER SCREW (2x)</p>
--

<p>RoHS compliant</p>	<p>THIS DRAWING MAY NOT BE COPIED OR REPRODUCED IN ANY WAY, AND MAY NOT BE PASSED ON TO A THIRD PARTY WITHOUT WRITTEN PERMISSION. OWNERSHIP AND COPYRIGHT OF CONEC GmbH</p>	<p>DO NOT ALTER CAD DRAWING BY HAND</p>	<p>tolerance</p> <p>dim. in mm</p>	<p>scale: 2:1</p> <p>material: SEE NOTES</p>												
			<table border="1"> <tr><td>drawn</td><td>14.04.2015</td><td>Heinrich</td></tr> <tr><td>appd.</td><td>14.04.2015</td><td>Lehmenkühler</td></tr> <tr><td>norm</td><td></td><td></td></tr> <tr><td>d-old</td><td>16K1A707</td><td></td></tr> </table>	drawn	14.04.2015	Heinrich	appd.	14.04.2015	Lehmenkühler	norm			d-old	16K1A707		<p>title:</p> <p>PLASTIC HOOD 37pos. with straight cable exit</p>
			drawn	14.04.2015	Heinrich											
			appd.	14.04.2015	Lehmenkühler											
norm																
d-old	16K1A707															
<table border="1"> <tr><td>5 x b</td><td>A5607</td><td>14.04.15</td><td>M.H.</td></tr> <tr><td>a</td><td>Original</td><td></td><td></td></tr> <tr><td>rev.</td><td>description</td><td>date</td><td>name</td></tr> </table>	5 x b	A5607	14.04.15	M.H.	a	Original			rev.	description	date	name	<p>dwg no: (b) 16K1A3621</p> <p>part no: (b) 165X13399X</p> <p>DIN-A3 sh: 1</p>			
5 x b	A5607	14.04.15	M.H.													
a	Original															
rev.	description	date	name													
