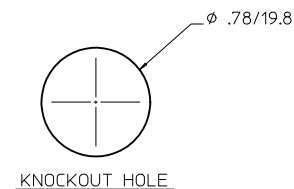
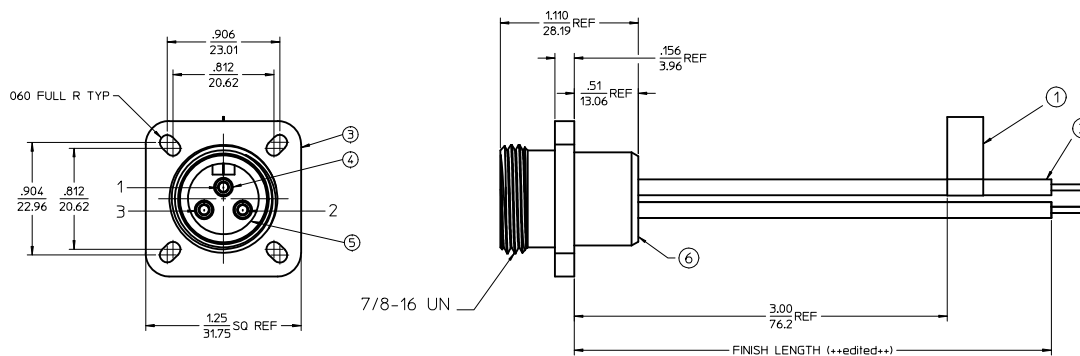
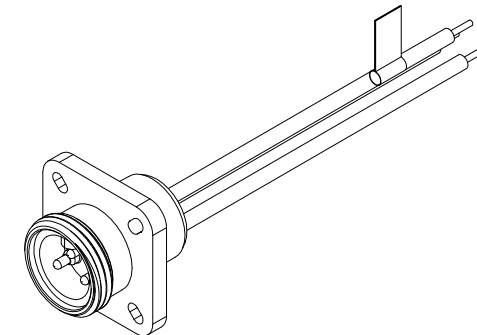


MATERIAL NUMBER	OLD PART NUMBER	FINISH LENGTH
130013-0280	1R3G06A20A120	1.0'+.75-0 [.3M+19.1-0]

VOLTAGE RATING	600 VAC/VDC
AMPERAGE RATING	13A
PROJECTION	IP67
OPERATING TEMPERATURE	-20° C TO 105° C
UL CERTIFICATIONS	UL RECOGNIZED, FILE NO. E152210
CSA CERTIFICATIONS	CSA CERTIFIED, FILE NO. LR6837



- WIRING DIAGRAM**
- 1) GREEN/YELLOW-GND
  - 2) BLACK
  - 3) WHITE

ITEM.	QTY.	COMPONENT	MATERIAL	FINISH
1	1	FLAG LABEL	PLASTIC FILM	BLACK/YELLOW
2	3	CONDUCTOR-16 AWG. 26X#30 COPPER STRANDING 600V	PVC	SEE WIRING DIAGRAM
3	1	RECEPTACLE SHELL	ALUMINUM	ANODIZED
4	3	CONTACT PIN	COPPER ALLOY	GOLD PLATED
5	1	3 POLE INSERT	PVC	YELLOW
6	1	POTTING	EPOXY	BLACK

<b>CREATE DOC</b> EC NO: WNA2010-0423 DRAWN BY: B. RUPERT 2010/01/14 CHKD BY: WOODMAN 2010/01/14 APPR: J. MURPHY 2010/01/14	QUALITY SYMBOLS	GENERAL TOLERANCES (UNLESS SPECIFIED)	DIMENSION STYLE	SCALE	DESIGN UNITS	THIRD ANGLE PROJECTION	
	▼=0 ▽=0	mm INCH 4 PLACES ± --- ± --- 3 PLACES ± --- ± .005 2 PLACES ± 0.013 ± --- 1 PLACE ± --- ± --- ANGULAR ±1/2°	IN/MM 2:1 INCH	DRAWN BY: B. RUPERT 01/07/2010 CHECKED BY: DATE B. WOODMAN 01/07/2010 APPROVED BY: DATE J. MURPHY 2010/01/14	TITLE <b>MALE FLANGE RECEP.            MINI-CHANGE 3P 16AWG PVC</b>	<b>MOLEX INCORPORATED</b>	
	DRAFT WHERE APPLICABLE MUST REMAIN WITHIN DIMENSIONS	MATERIAL NO. <b>SEE CHART</b>	DOCUMENT NO. <b>SD-130013-017</b>	THIS DRAWING CONTAINS INFORMATION THAT IS PROPRIETARY TO MOLEX INCORPORATED AND SHOULD NOT BE USED WITHOUT WRITTEN PERMISSION			
	SIZE <b>D</b>	SHEET NO. 1 OF 1					