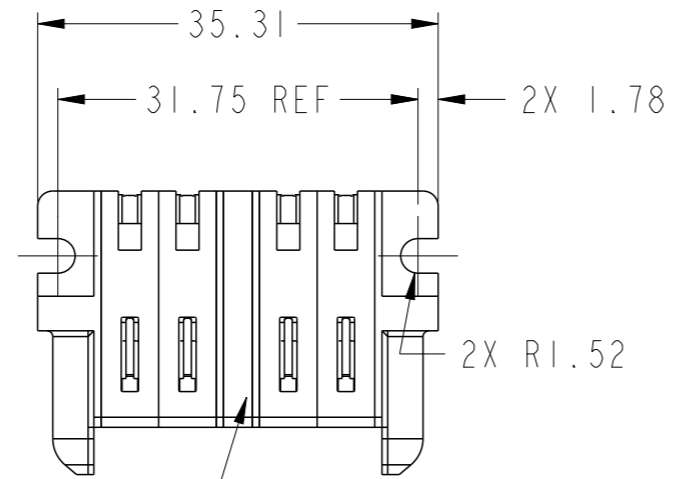
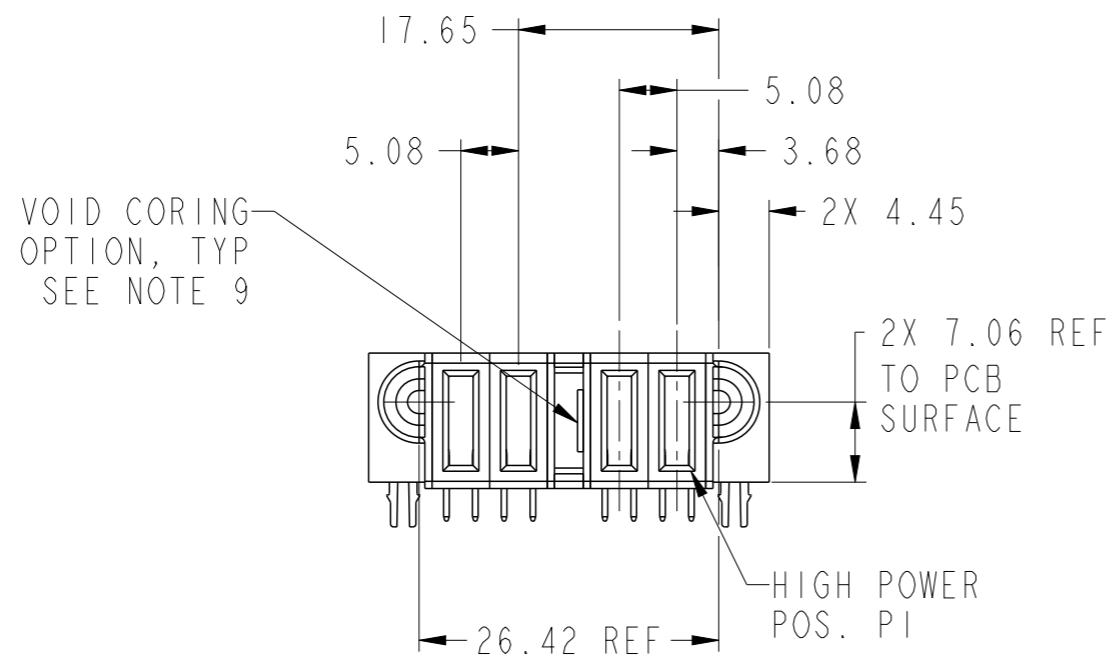


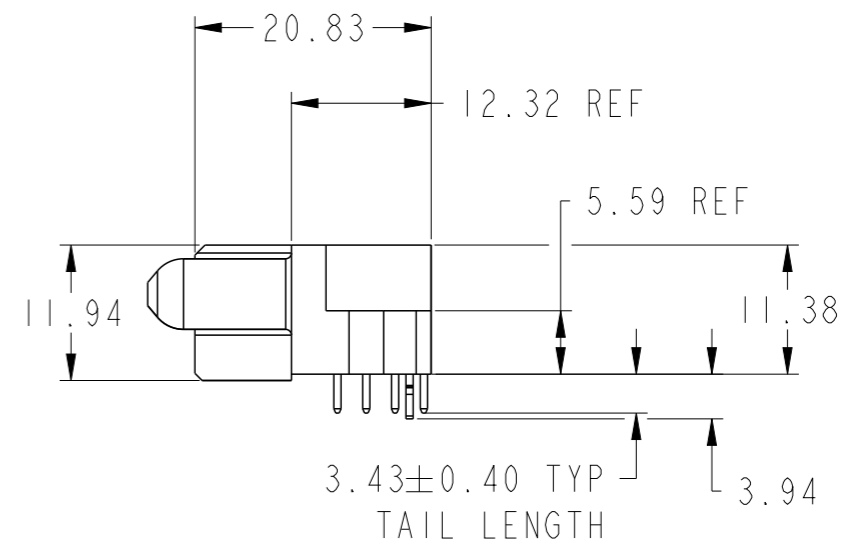
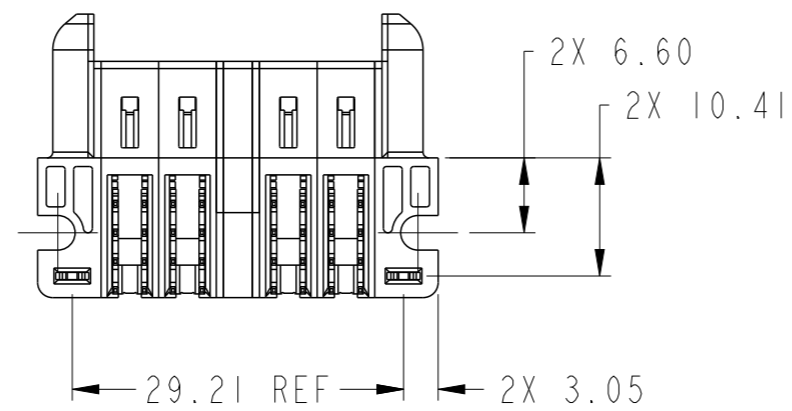
PRODUCT NUMBER SEE SHEET 2



NOTE 1



VOID CORING OPTION, TYP SEE NOTE 9



spec ref	*	dr	Helen Zhang	2013/06/27	projection	MM	size	A3	scale	3:2
tolerance std	ASME Y14.5	eng	Xie Bob	2013/08/20			ecn no	-	rel level	Released
TOLERANCES UNLESS OTHERWISE SPECIFIED		chr	Li-He	2013/08/20						
surface	<input checked="" type="checkbox"/> linear <input type="checkbox"/> angular	0.X ±0.5 0.XX ±0.25 0.XXX ±0.10			title	4HDP		dwg no	10106134-4000201	
ASME Y14.5	0° ±2°	www.fci.com	cat. no.	Product - Customer Drw		rev	A		sheet 1 of 3	

PRODUCT NO.

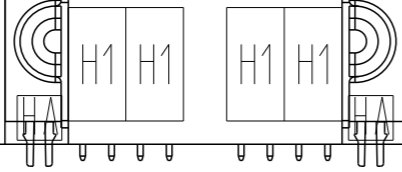
ROWS

HIGH POWER

E1 P4 P3 P2 P1 E2

10106134-4000201LF

DCBA



CODE

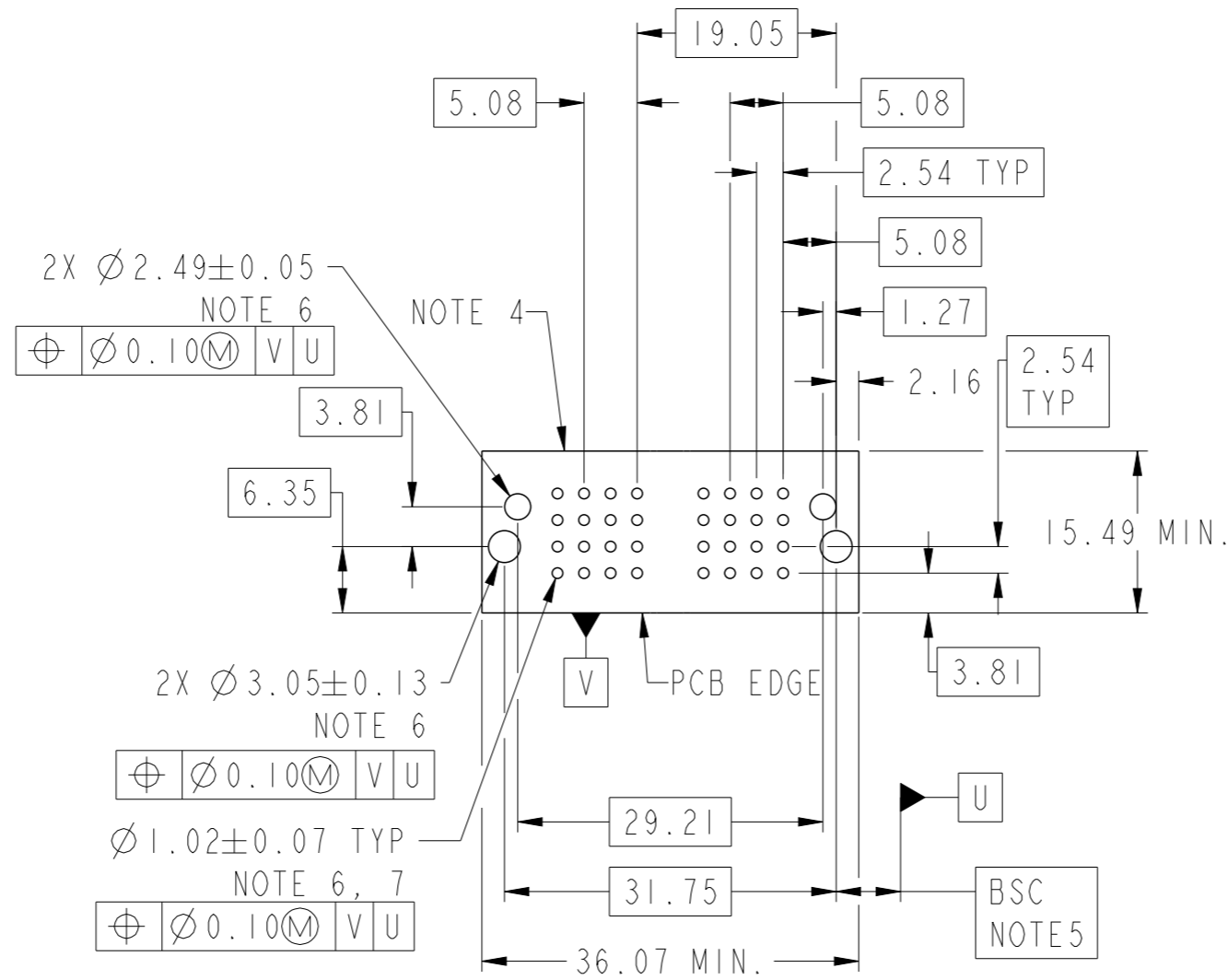
DESCRIPTION

HI

MFBL HIGH POWER CONTACT(3.43)

HA

METAL HOLD DOWN



dr	Helen Zhang	2013/06/27	projection	MM	size	A3	scale	3:2			
eng	Xie Bob	2013/08/20		←→	ecn no	-	rel level	Released			
chr	Li-He	2013/08/20									
appr	Pei-Ming Zheng	2013/08/20	product family	PwrBlade+							
			title		4HDP		dwg no		10106134-4000201	rev	A
www.fci.com			cat. no.		Product - Customer Drw		sheet 2 of 3				



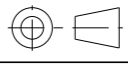
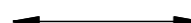

Copyright FCI.

NOTES:

- 1) "FCI", PART NUMBER AND DATE CODE TO BE MARKED ON THIS SURFACE.
THE MARK CAN BE OMITTED IF THERE IS NOT ENOUGH SPACE ON THIS SURFACE.
- 2) MATERIALS:
-HOUSING - GLASS FILLED WITH HIGH TEMP THERMOPLASTIC, UL94V-0.
-SIGNAL CONTACT - COPPER ALLOY.
-POWER CONTACT - HIGH CONDUCTIVITY COPPER ALLOY.
- 3) PLATING SPECIFICATION REFER TO FCI 10123565
- 4) DENOTES CONNECTOR KEEP OUT ZONE.
- 5) DATUM AND BASIC DIMENIONS WERE ESTABLISHED BY CUSTOMER.
- 6) ALL HOLE DIAMETERS ARE FINISHED HOLE SIZES.
- 7) 1.15 ± 0.025 MM DRILLED HOLE PLATED WITH 0.00762MM MIN Sn
OVER 0.0254-0.0762MM Cu PLATING TO ACHIEVE A 1.02 ± 0.07 MM HOLE.
- 8) PRODUCT SPECIFICATION REFER TO FCI GS-12-658.
APPLICATION SPECIFICATION REFER TO FCI GS-20-141.
PRODUCT PACKAGED IN TRAYS, REFER TO FCI GS-14-1502.
- 9) THE VOID CORING IN BETWEEN POWER MODULES, SIGNAL
MODULES AND END MODULES ARE OPTIONAL AND THE SHAPE
MAY BE DIFFERENT FOR OPTIMIZE THE MOLDING PROCESS. THE
VOID CORING WILL NOT EFFECT TO PRODUCT FUNCTION.



Copyright FCI.

dr	Helen Zhang	2013/06/27	projection 	MM 	size	A3	scale	3:2
eng	Xie Bob	2013/08/20			ecn no	-		
chr	Li-He	2013/08/20			rel level	Released		
appr	Pei-Ming Zheng	2013/08/20			product family	PwrBlade+		
		title 4HDP RA STB RECEPTACLE	dwg no 10106134-4000201	rev A				
www.fci.com		cat. no.	Product - Customer Drw		sheet 3 of 3			