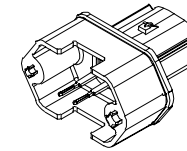
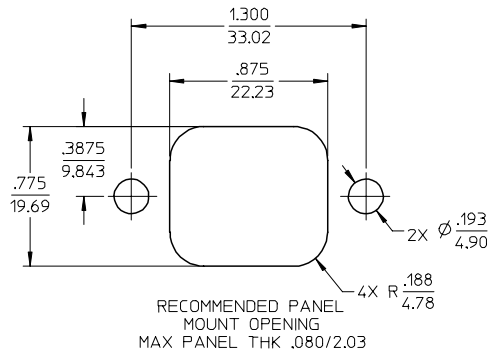
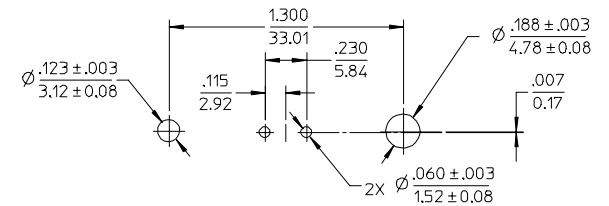
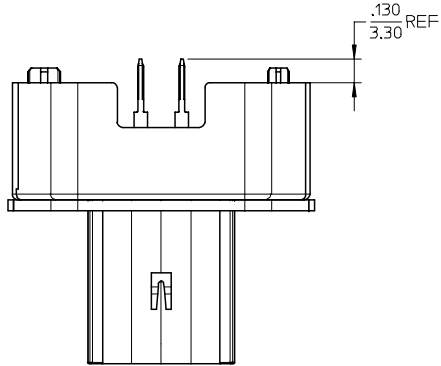


MATERIAL NUMBER	TERMINAL FINISH	TERMINAL PIN POTTING
19428-0007	TIN	NO
19428-0017	TIN/GOLD	
19428-0038	TIN	YES
19428-0039	TIN/GOLD	

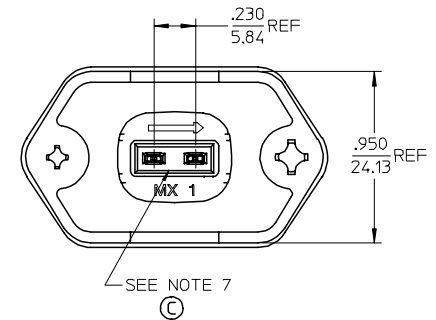
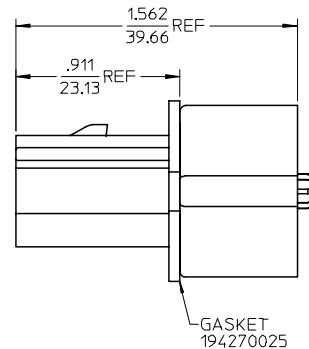
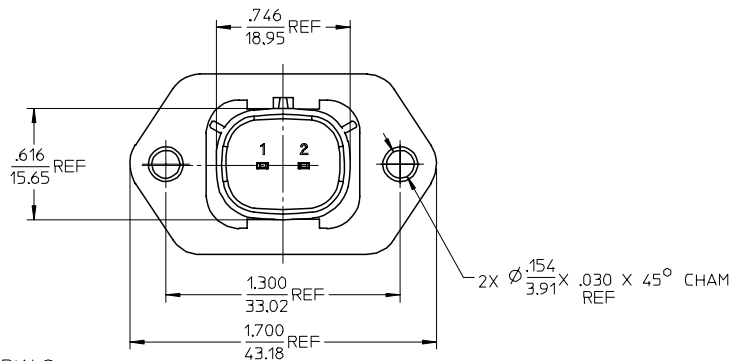
Ⓒ



ASSEMBLED VIEW
SCALE 1:1



RECOMMENDED PCB LAYOUT
COMPONENT SIDE



NOTES:

- MATERIALS:
HOUSING: POLYESTER (PBT), GLASS FILLED, UL94 V-0.
COLOR: BLACK
TERMINALS: COPPER ALLOY
TERMINAL POTTING AS APPLICABLE: ELASTOMERIC SILICONE
- FINISHES: 1. TIN ONLY: 100µIN TIN OVER 50µN NICKEL
2. TIN/GOLD: 30µN SELECT GOLD (CONTACT MATING AREA), 100µN SELECT TIN (PCB TAIL AREA) OVER 50µN NICKEL OVERALL
- PRODUCT SPECIFICATION: PS-19428-001.
- PACKAGING SPECIFICATION: PK-19428-001.
- MATES WITH: 19418 SERIES RECEPTACLE ASSEMBLIES.
- RECOMMENDED MOUNTING HARDWARE: (2) #10 X .62/18.9 LONG PLASTIC THREAD CUTTING SCREWS. RECOMMENDED TORQUE 15-17 IN-LBS. SUGGESTED SOURCE: ITW SHAKEPROOF INDUSTRIAL BOSSCREW OR EQUIVALENT.
- ELASTOMERIC SILICONE APPLIED IN TERMINAL WELLS, SEE CHART.
- ASSEMBLY IS ROHS COMPLIANT.

REV	DESCRIPTION	QUALITY SYMBOLS	GENERAL TOLERANCES (UNLESS SPECIFIED)		DIMENSION STYLE		SCALE	DESIGN UNITS	THIRD ANGLE PROJECTION	
			mm	INCH	IN/MM	DATE				
		▽=0					2:1	INCH	Ⓒ	
		▽=0								
			4 PLACES	± .015						
			3 PLACES	± .015						
			2 PLACES	± 0.38						
			1 PLACE	± .015						
			ANGULAR ± 1 °							
			DRAFT WHERE APPLICABLE MUST REMAIN WITHIN DIMENSIONS							
			SEE CHART							
			MATERIAL NO.		DRAWN BY		DATE	TITLE		
					DMYRICK		04/06/25	2-WAY STRAIGHT HEADER ASSEMBLY, LONG VERSION		
					CHECKED BY		DATE			
					JPAWLICK		04/06/25			
					APPROVED BY		DATE			
					RDEROSS		04/06/25			
					MATERIAL NO.		DOCUMENT NO.			
					SD-19428-009		MOLEX INCORPORATED			
					SIZE		SHEET NO.			
					C		1 OF 1			
			THIS DRAWING CONTAINS INFORMATION THAT IS PROPRIETARY TO MOLEX INCORPORATED AND SHOULD NOT BE USED WITHOUT WRITTEN PERMISSION							