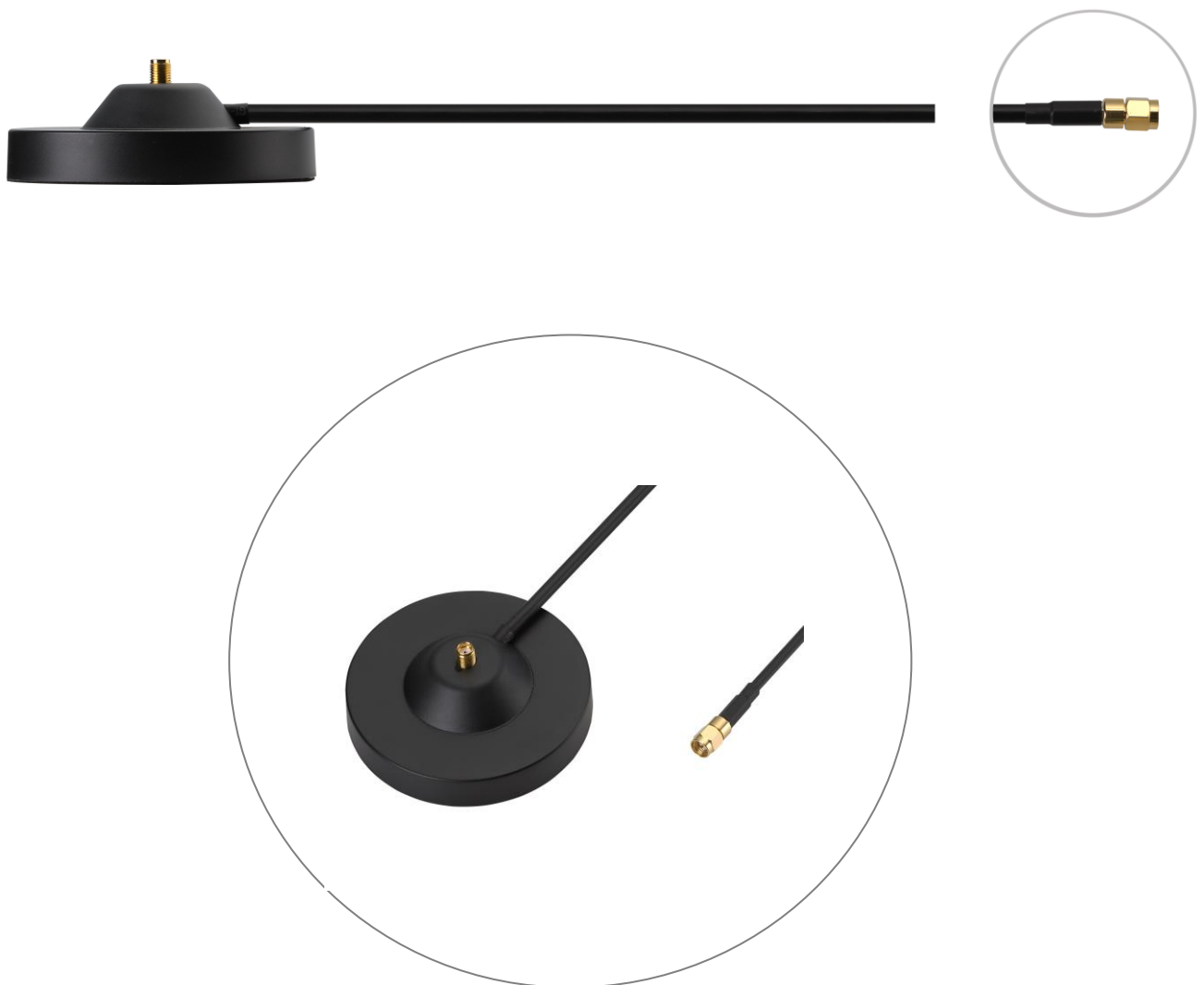


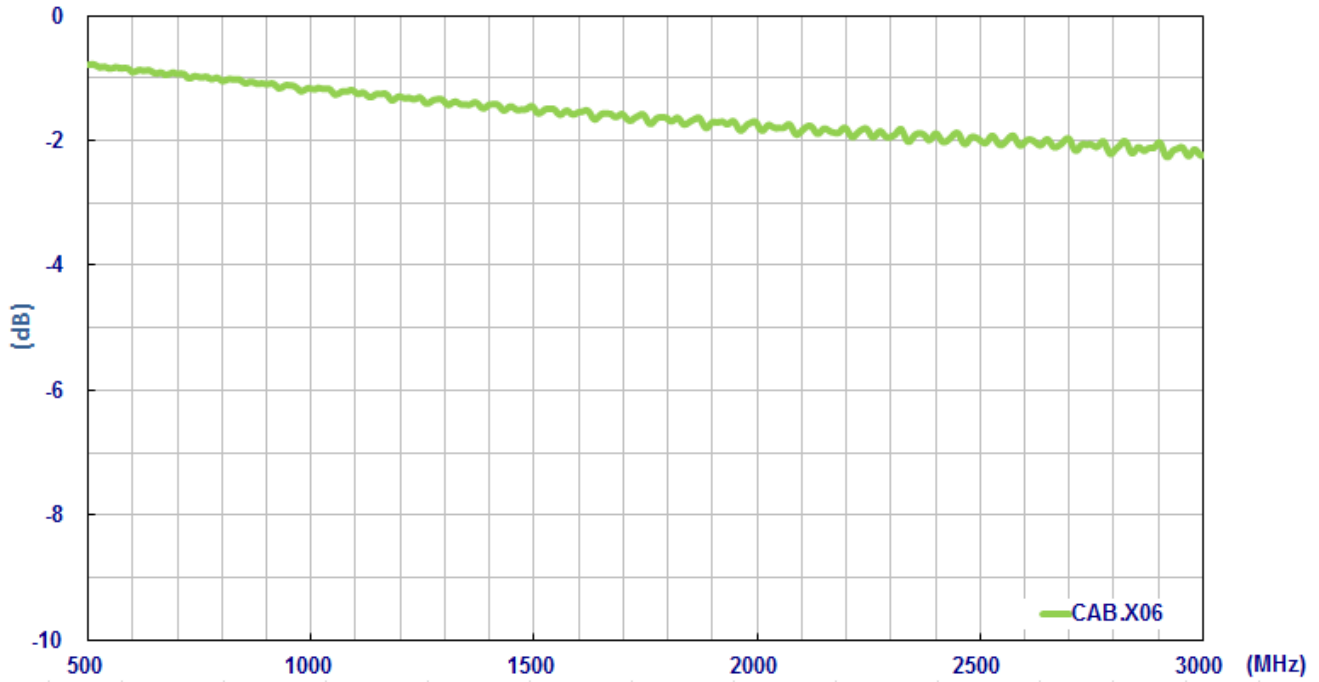
SPECIFICATION

Part No. : **CAB.X06**
Product Name : Taoglas Magnet Mount Antenna Base Cable Assembly
SMA(F) on base to SMA(M) Straight Plug on cable
with 3M(9.84ft) CFD-200 low loss cable

Photo :

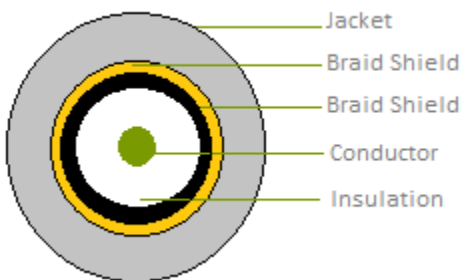


1. Cable Insertion Loss

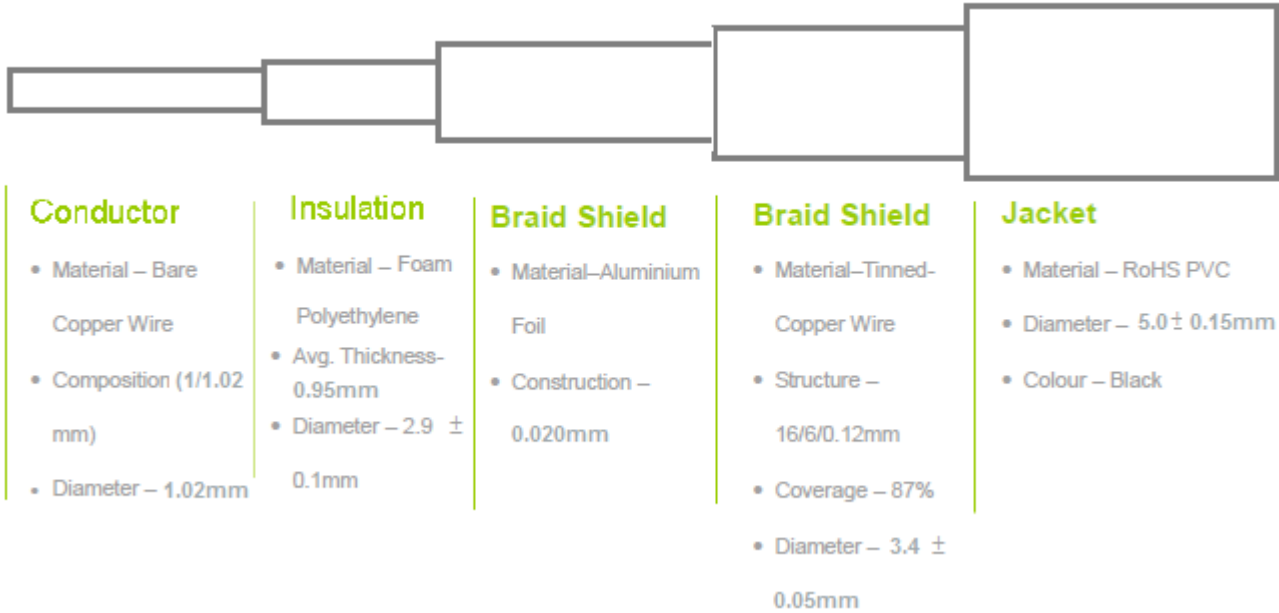


2. CFD-200 Cable Specification

2.1 Drawing – Cross Section



2.2 Structure and Dimensions

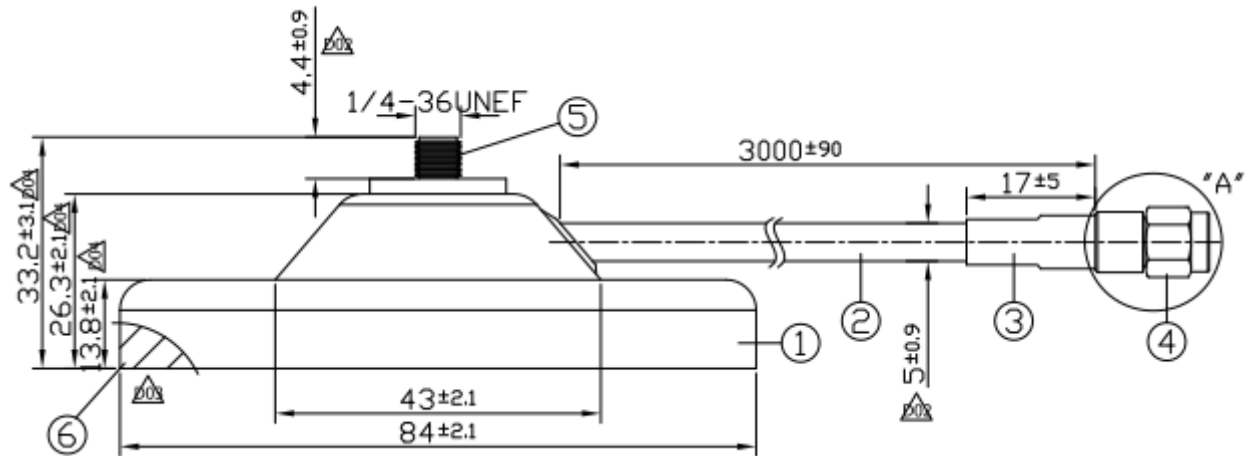


2.3 Electrical & Physical Specification

| ELECTRICAL | | | | | | |
|-----------------------|-------------------------------|--------|--------|---------|---------|---------|
| Attenuation | 150MHz | 450MHz | 900MHz | 1500MHz | 1800MHz | 2500MHz |
| dB/100M | 12.1 | 21.6 | 31.2 | 41.1 | 45.3 | 54.4 |
| Insulation Resistance | 1000 MΩ-Km (Min) | | | | | |
| Capacitance | 80.4 ± 3 pF/m | | | | | |
| Nom. Impedance | 53 ± 3 Ω | | | | | |
| MECHANICAL | | | | | | |
| Cable Type | CFD-200 coaxial cable | | | | | |
| Cable length | 3 Meters (9.84ft) | | | | | |
| Connector | SMA(M) SMA(F) Magnet Mount | | | | | |
| Connector Max. Torque | 0.9N·m | | | | | |
| Magnetic Pull Force | 2.92kgf | | | | | |
| Weight | 370g | | | | | |
| Magnet | Ferric Oxide | | | | | |
| ENVIRONMENTAL | | | | | | |
| Temperature Range | -40°C to 85°C | | | | | |
| Humidity | Non-condensing 65°C 95% RH | | | | | |

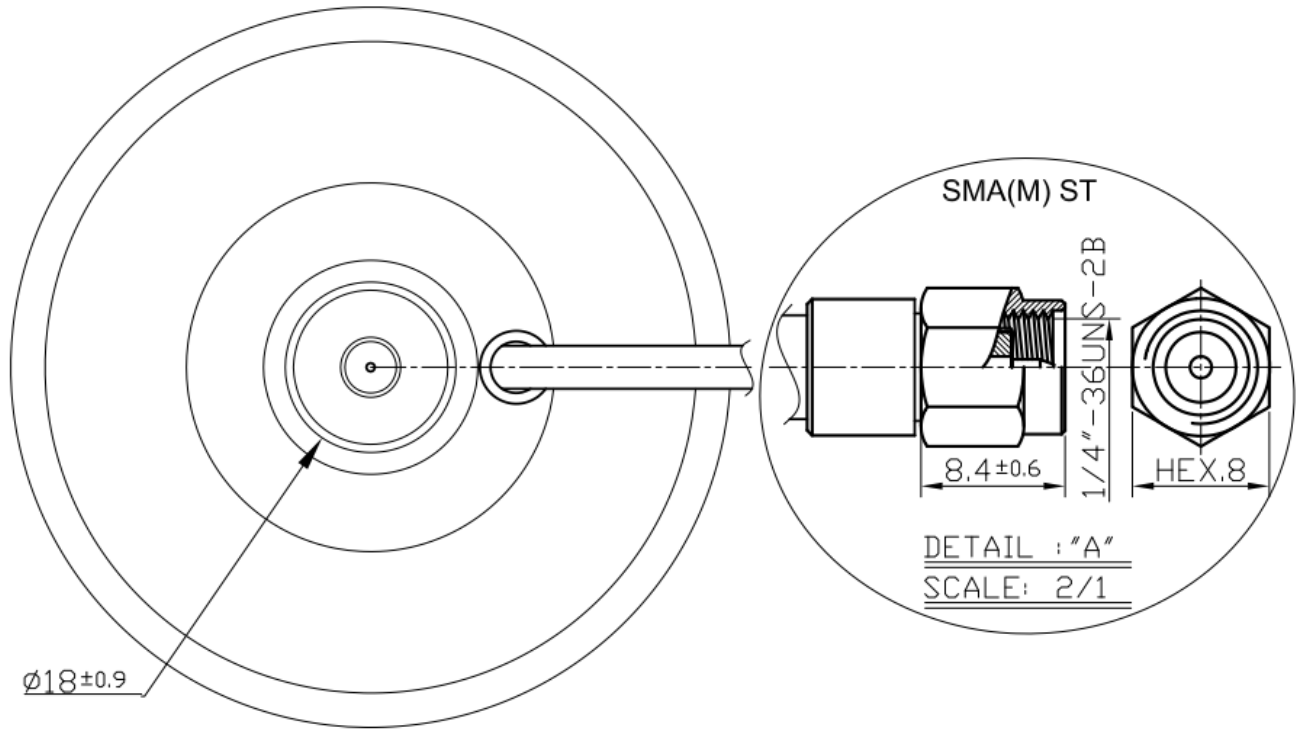
3. Technical Drawing

3.1 CAB.X06



| | Name | Material | Finish | QTY |
|---|----------------------|------------|--------|-----|
| 1 | SMA(F) Magnet Mount | ASA | Black | 1 |
| 2 | CFD200 Coaxial Cable | PVC | Black | 1 |
| 3 | Heat Shrink Tube | PE | Black | 1 |
| 4 | SMA(M) ST | Brass | Gold | 1 |
| 5 | SMA(F) ST | Brass | Gold | 1 |
| 6 | Magnet | Magnet T30 | N/A | 1 |

3.2 Connectors

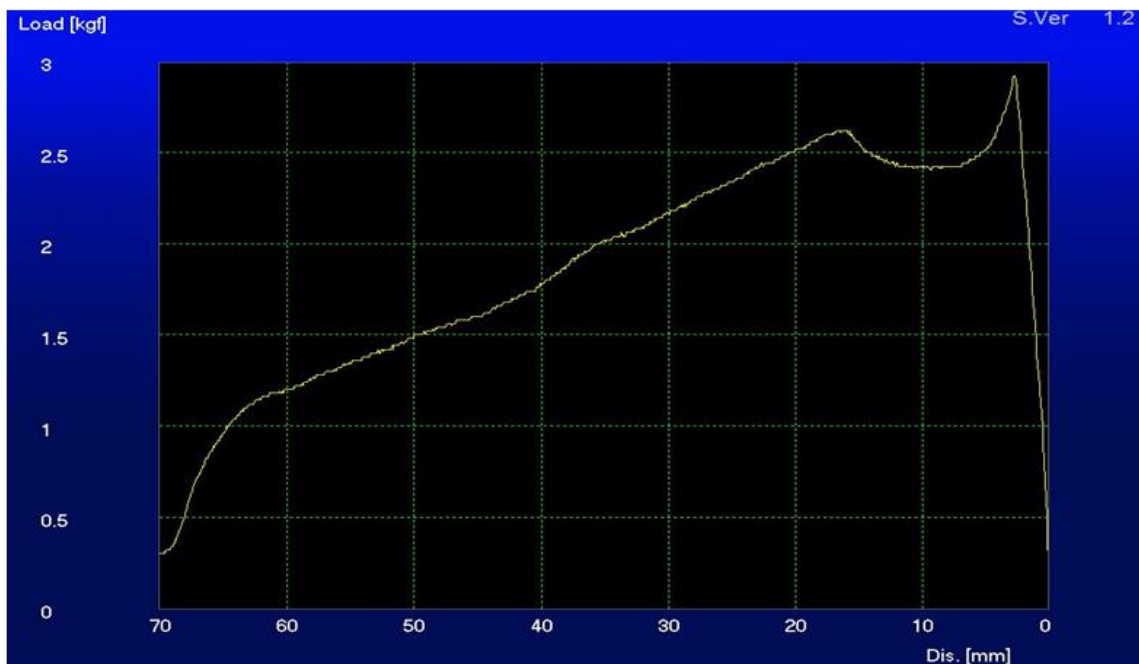


4. Magnetic Pull Force (kilogram-force, kgf)

4.1 Testing setup

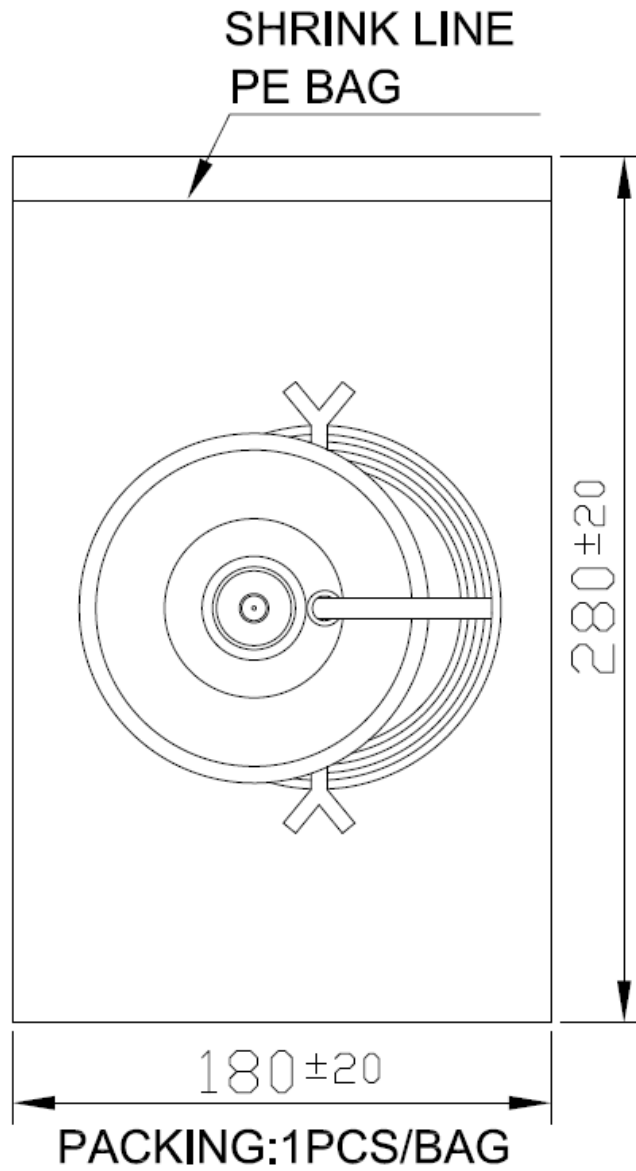


| | | | | | | | | | | |
|--------------------|------|------|------|------|------|-------------|------|------|------|------|
| Distance(mm) | 0.5 | 1.0 | 1.5 | 2.0 | 2.5 | 2.8 | 3.5 | 4.0 | 4.5 | 5.0 |
| Pulling force(Kgf) | 0.86 | 1.37 | 1.86 | 2.32 | 2.75 | 2.92 | 2.73 | 2.65 | 2.58 | 2.52 |
| Distance(mm) | 5.5 | 6.0 | 6.5 | 7.0 | 7.5 | 8.0 | 8.5 | 9.0 | 9.5 | 10.0 |
| Pulling force(Kgf) | 2.49 | 2.46 | 2.44 | 2.42 | 2.42 | 2.42 | 2.42 | 2.41 | 2.41 | 2.42 |



Maximum Pull Force : 2.92kgf

5. Packaging



Unit: mm