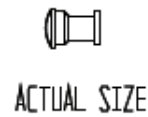
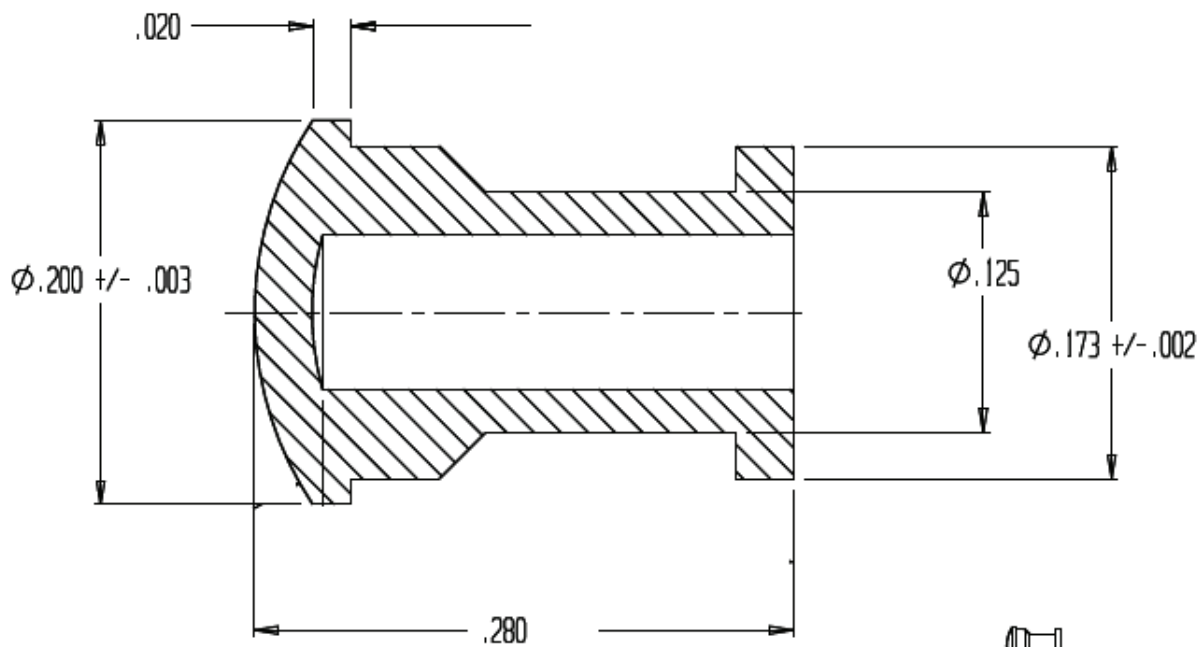




4765A Lens



- NOTES:
1. MATERIAL: CLEAR POLYCARBONATE
2. PART HAS TO BE RoHS COMPLIANT



Dimensions in inches. Tolerance unless otherwise specified: ± 0.005 inches