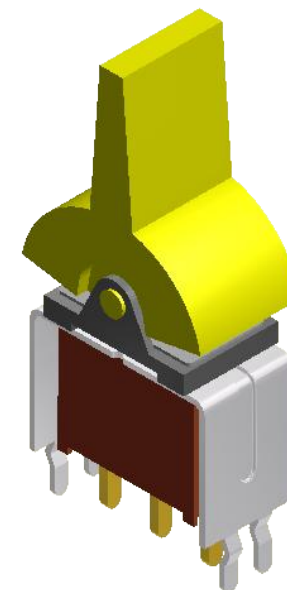
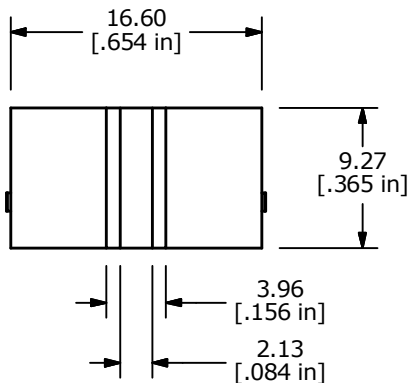
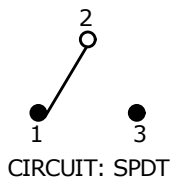


RECOMMENDED P.C. MOUNTING

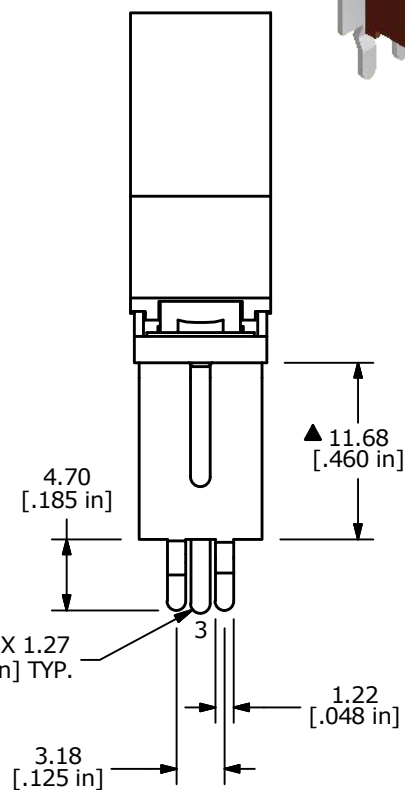
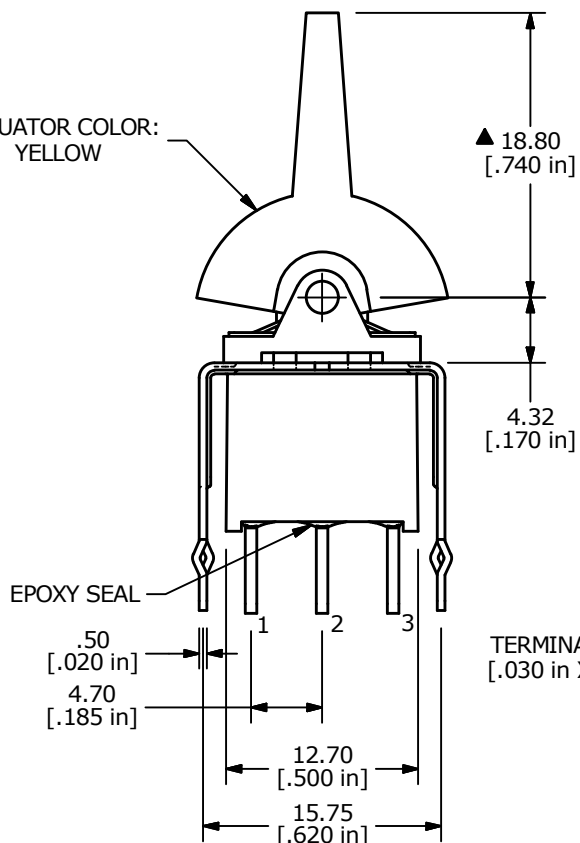


| SWITCH FUNCTION | | |
|-----------------|--------|--------|
| POS. 1 | POS. 2 | POS. 3 |
| | | |
| (ON) | OFF | (ON) |
| 2-3 | OPEN | 2-1 |

(ON) = MOMENTARY



▲ ACTUATOR COLOR: YELLOW



NOTE:

1. ALL DIMENSIONS IN MM [INCH]
2. GENERAL TOLERANCE: X.X=±0.4
X.XX=±0.25
3. TERMINAL NUMBERS FOR REF ONLY
4. PLATING MATERIAL: GOLD
- ▲ 5. RATING: 0.4 VOLT-AMPS MAX. @20V MAX. AC OR DC
6. ELECTRIC LIFE: 30,000 MAKE-AND-BREAK CYCLES AT FULL LOAD.
7. INSULATION RESISTANCE: 1,000 MEGA-OHM MIN.
8. DIELECTRIC STRENGTH: 1,000 V RMS @SEA LEVEL.
9. OPERATING TEMP.: -30°C to 85°C
10. ▲ DENOTES CRITICAL PARAMETER.
11. 2011/65/EU (ROHS) COMPLIANT



| | | | | |
|-----|--------|------------------------------|---------|-----|
| B | 22708 | UPDATED LAYOUT AND TERMINALS | 2/17/17 | MJR |
| A | 11571 | RELEASED FOR PRODUCTION | 7/16/01 | CJB |
| REV | PCR NO | DESCRIPTION | DATE | BY |

| | | | | |
|---------------------------|----------------|--------|-------------|-------|
| TITLE 300AWSP4J2YELVS21RE | | | | |
| SCALE 2:1 | DATE 7/16/2001 | DR CJB | DWG T301497 | REV B |

THE INFORMATION CONTAINED IN THIS DOCUMENT IS PROPRIETARY TO E-SWITCH AND IS NOT TO BE COPIED OR TRANSFERRED