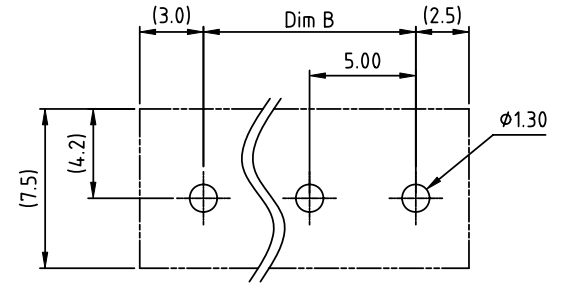
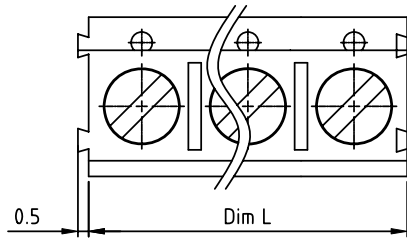
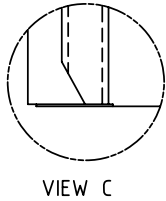
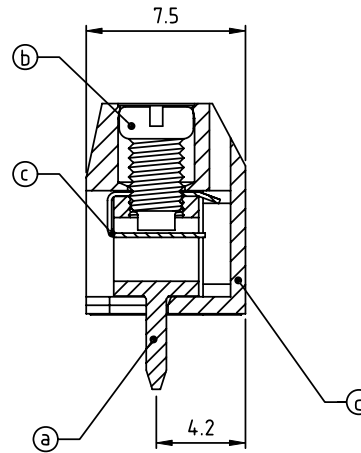
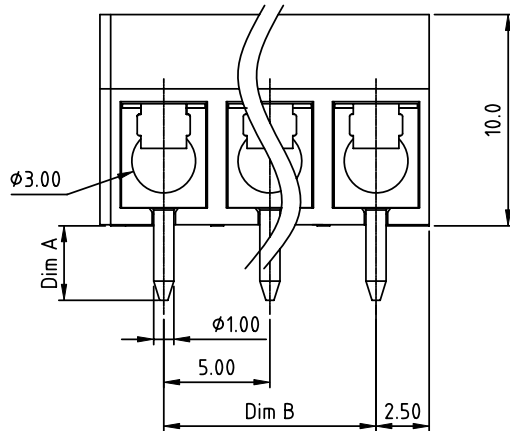
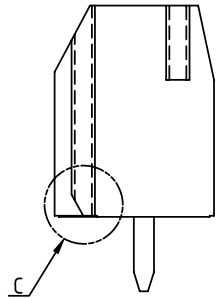


PRODUCT NUMBER	PITCH
TCxx03xxA5J0G	5.00 mm



RECOMMENDED P.C.B LAYOUT
TOP VIEW



Material:

- Item (a) Terminal body(metal housing): Brass(CuZn),Tin plated
- Item (d) Terminal screw: Steel Zinc plating "--" slot type
- Item (c) Wire guard: Stainless steel
- Item (b) Insulator (housing): Thermoplastic (UL94V-0)

Electrical cULus//VDE

- Voltage rating: 300VAC/250VAC
- Current rating: 15A/17.5A
- Wire range: 0.5-1.5mm²
- Solid wire(AWG): 14-22
- Stranded wire(AWG): 14-22
- Torque: 2.6Lb-In/0.4Nm
- Screw: M2.6
- Wire strip length: 6-7mm
- Withstanding Voltage: 1.6KV/2KV
- Operating temperature: -40°C to +115°C
- Soldering temperature: 260°C±5°C/5 Sec
- Safety Approval:

N = Number of poles
Dim L = N x 5.0
Dim B = (N-1) x 5.0

Poles	Dim L	Dim B
2-6p	±0.15	±0.10
7-12p	±0.20	±0.20
13-18p	±0.30	±0.25
19-24p	±0.40	±0.30

PART NO.: TC xx 03 x x A5J0 G

		Body Color		DIM A Length		RoHS compliant
Solid block	0	Black (RAL9005)		4.4mm		In copper Alloy
No. of poles	2	Red (RAL3001/D)	0	3.8mm		
02	2 poles	Orange(RAL2011/P)	1	3.5mm		
03	3 poles	Yellow(RAL1018/A)	2	2.9mm		
...	...	Green(RAL6018/T)	3			
24	24 poles	Blue (RAL5015/A)				
		Grey(RAL7035/D)				
		White(RAL1102)				
		Green(RAL6018/U)				

mat'l. code		surface ASME Y14.5	tolerance ASME Y14.5	projection	product family
ltr	ecn no	dr	date		TERMINAL BLOCK
tolerances unless otherwise specified				MM	title
angles				MM	TERMINAL BLOCK
X°±1'				scale	WIRE PROTECTOR,180D WIRE INLET
X.X±0.3					dwg no
X.XX±0.1					sheet 1 of 1
dr EVIN ZHONG 033114					size
enrg EVIN ZHONG 033114					A4
chr HANKE FENG 033114					
appd SHI JUN 033114					type
sheet index				revision	A
				sheet	1