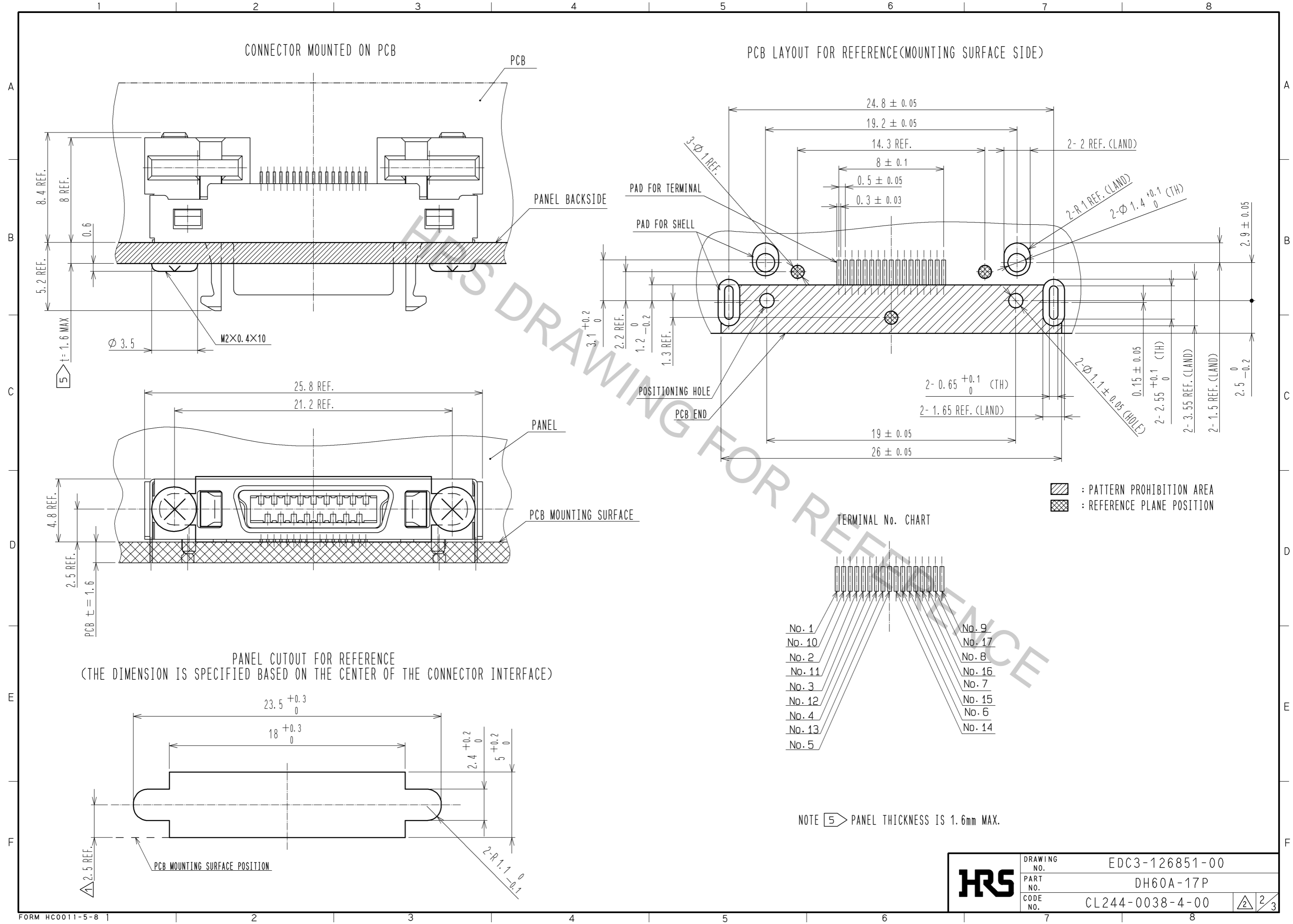


HRS DRAWING FOR REFERENCE ONLY

- NOTE ① LEAD CO-PLANARITY OF SIGNAL CONTACT TO BE 0.1 IN THE -0.1 TO +0.05 RANGE FROM PCB MOUNTING SURFACE.
- ② ASSEMBLY TOOL MARKS INDICATED IN THE FIGURE WILL NOT AFFECT PERFORMANCE.
- ③ THIS PRODUCT SHALL BE MATED WITH A UNIT 'DH3***-17S' WHICH ASSEMBLED TO A COVER CASE 'DH-17-CT***'.
AN ASSEMBLY OF THE UNIT NEEDS A CLAMP 'DH-17-CM+(***)'
- ④ INSTALLATION WITH THE PANEL MUST USE A DEDICATED SCREW.
PURCHASE : ①HRS PART No. 「DH60A-SCREW」
CL No. 「CL244-0042-1」
②NITTOSEIKO CO.,LTD. 「FINE PAN HEAD MACHINE SCREW 2 TYPES」

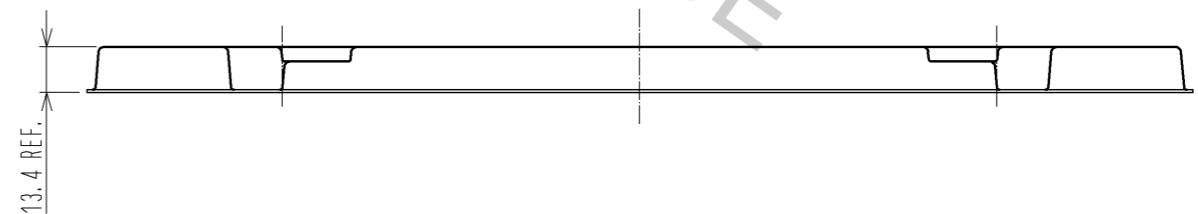
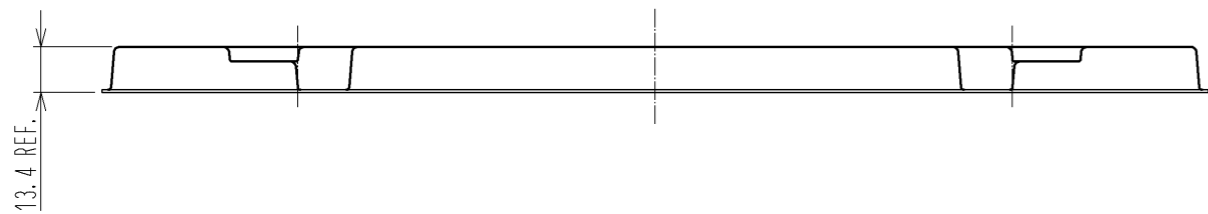
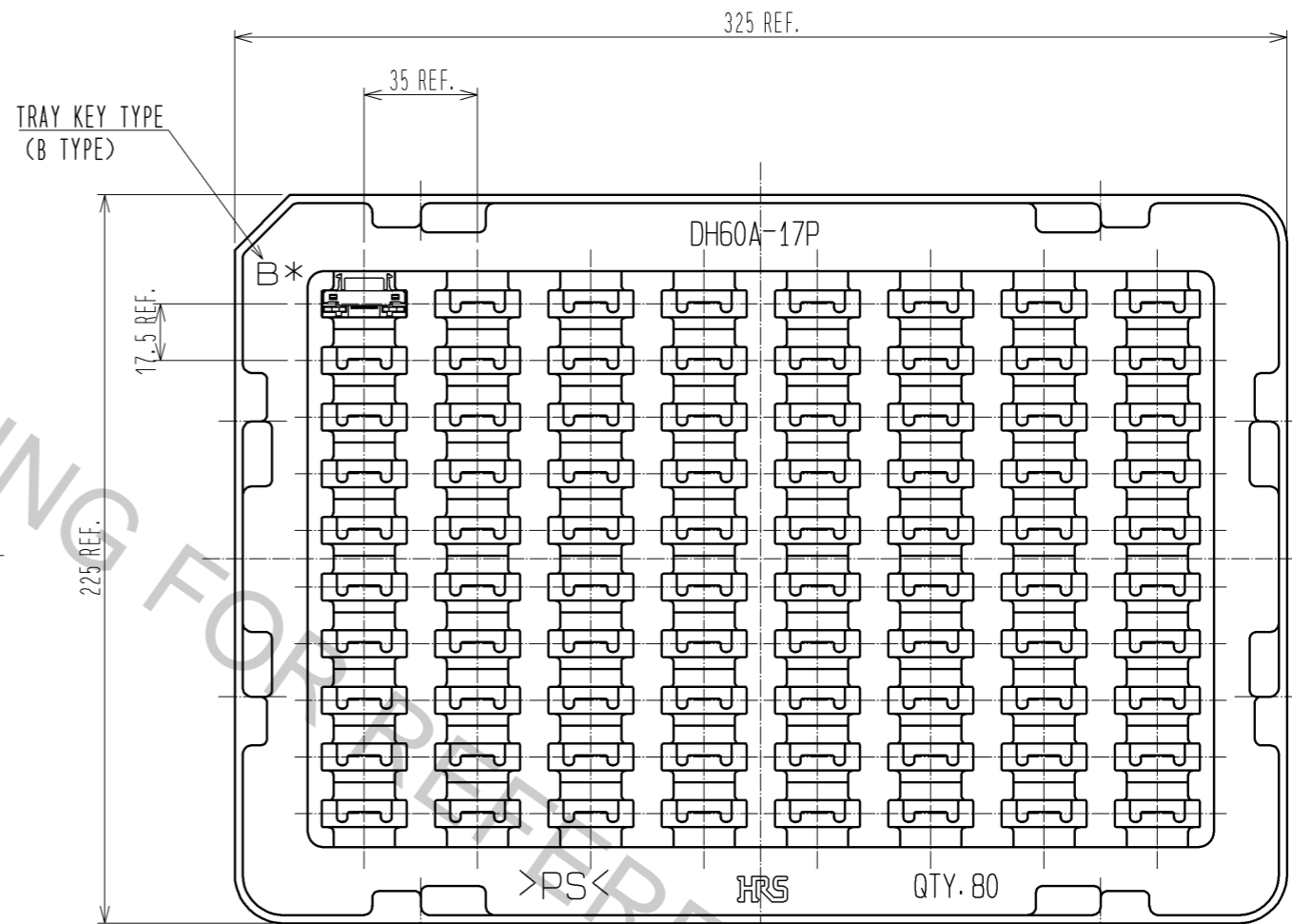
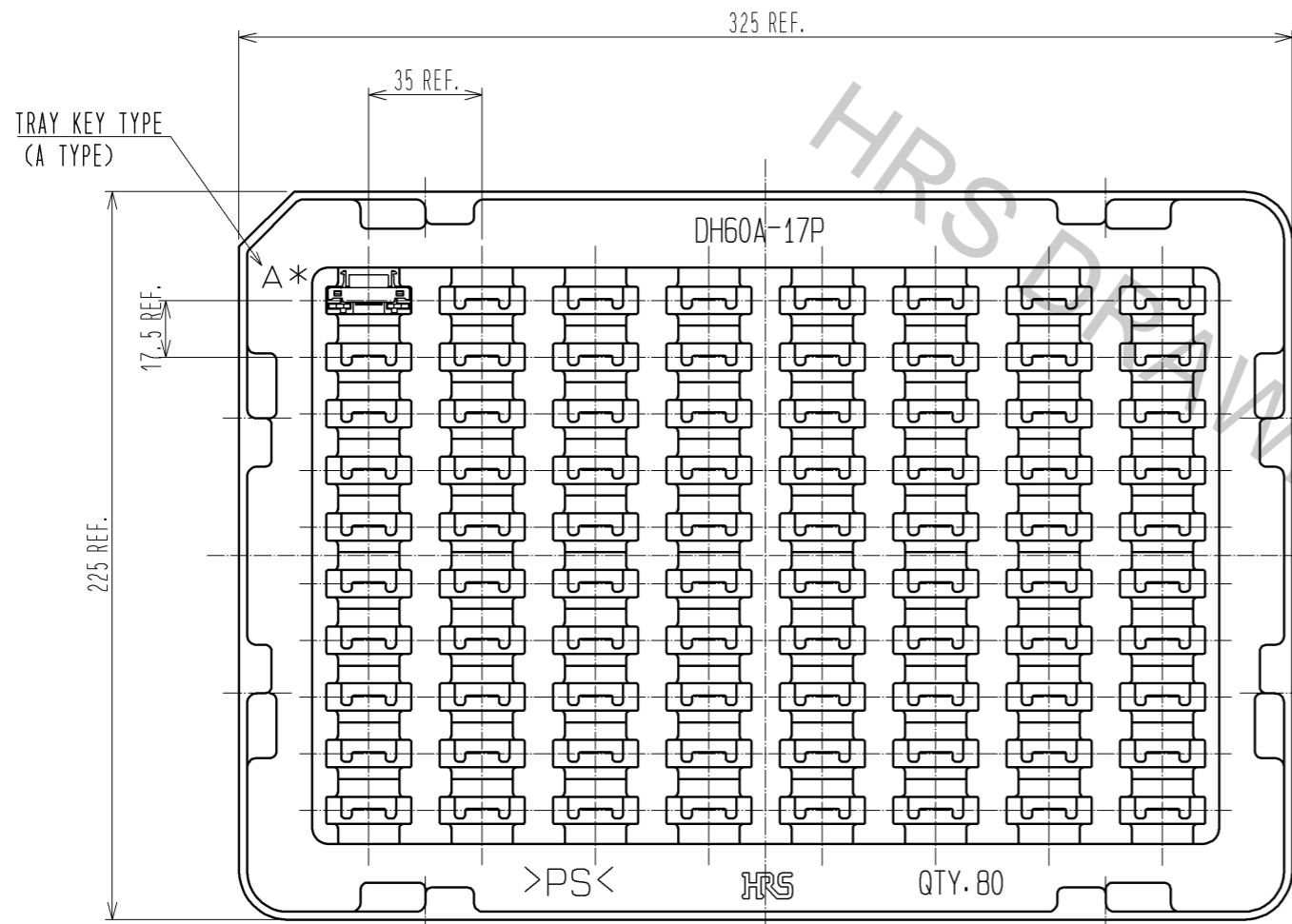
| | | | | | |
|--------------------------------------|-----------------|---|---------------------------------|--|---|
| 3 | POLYAMIDE | UL94V-0 BLACK | 6 | BRASS | OVER PLATING : TIN 1μm MIN. UNDER PLATING : NICKEL 1μm MIN. |
| 2 | PHOSPHOR BRONZE | CONTACT AREA : GOLD 0.2μm MIN. LEAD AREA : GOLD 0.03μm MIN. UNDER PLATING : NICKEL 1μm MIN. | 5 | STEEL | OVER PLATING : NICKEL 3μm MIN. UNDER PLATING : COPPER 3μm MIN. |
| 1 | | | 4 | STAINLESS STEEL | OVER PLATING : TIN 1μm MIN. UNDER PLATING : NICKEL 1μm MIN. |
| NO. | MATERIAL | FINISH , REMARKS | NO. | MATERIAL | FINISH , REMARKS |
| UNITS mm | | SCALE 4 : 1 | COUNT 1 | DESCRIPTION OF REVISIONS DIS-E-003061 | DESIGNED TM. ONO |
| HRS HIROSE ELECTRIC CO., LTD. | | APPROVED : AO. SUZUKI 09.04.22 | CHECKED : KN. ICHIKAWA 09.04.22 | DESIGNED : MO. SHIMOYAMA 09.04.21 | DRAWN : MO. SHIMOYAMA 09.04.21 |
| | | | | DRAWING NO. EDC3-126851-00 | CHECKED KN. ICHIKAWA |
| | | | | PART NO. DH60A-17P | DATE 09.12.14 |
| | | | | CODE NO. CL244-0038-4-00 | |

Apr.1.2017 Copyright 2017 HIROSE ELECTRIC CO., LTD. All Rights Reserved.



| | | |
|------------|-------------|-----------------|
| HRS | DRAWING NO. | EDC3-126851-00 |
| | PART NO. | DH60A-17P |
| | CODE NO. | CL244-0038-4-00 |
| | | 2/3 |

DRAWING FOR PACKING(FREE)



⚠ *TRAYS. A TYPE AND B TYPE. ARE PILED UP ALTERNATELY.

| | | |
|------------|-------------|-----------------|
| HRS | DRAWING NO. | EDC3-126851-00 |
| | PART NO. | DH60A-17P |
| | CODE NO. | CL244-0038-4-00 |
| | | ⚠ 3/3 |

Apr.1.2017 Copyright 2017 HIROSE ELECTRIC CO., LTD. All Rights Reserved.