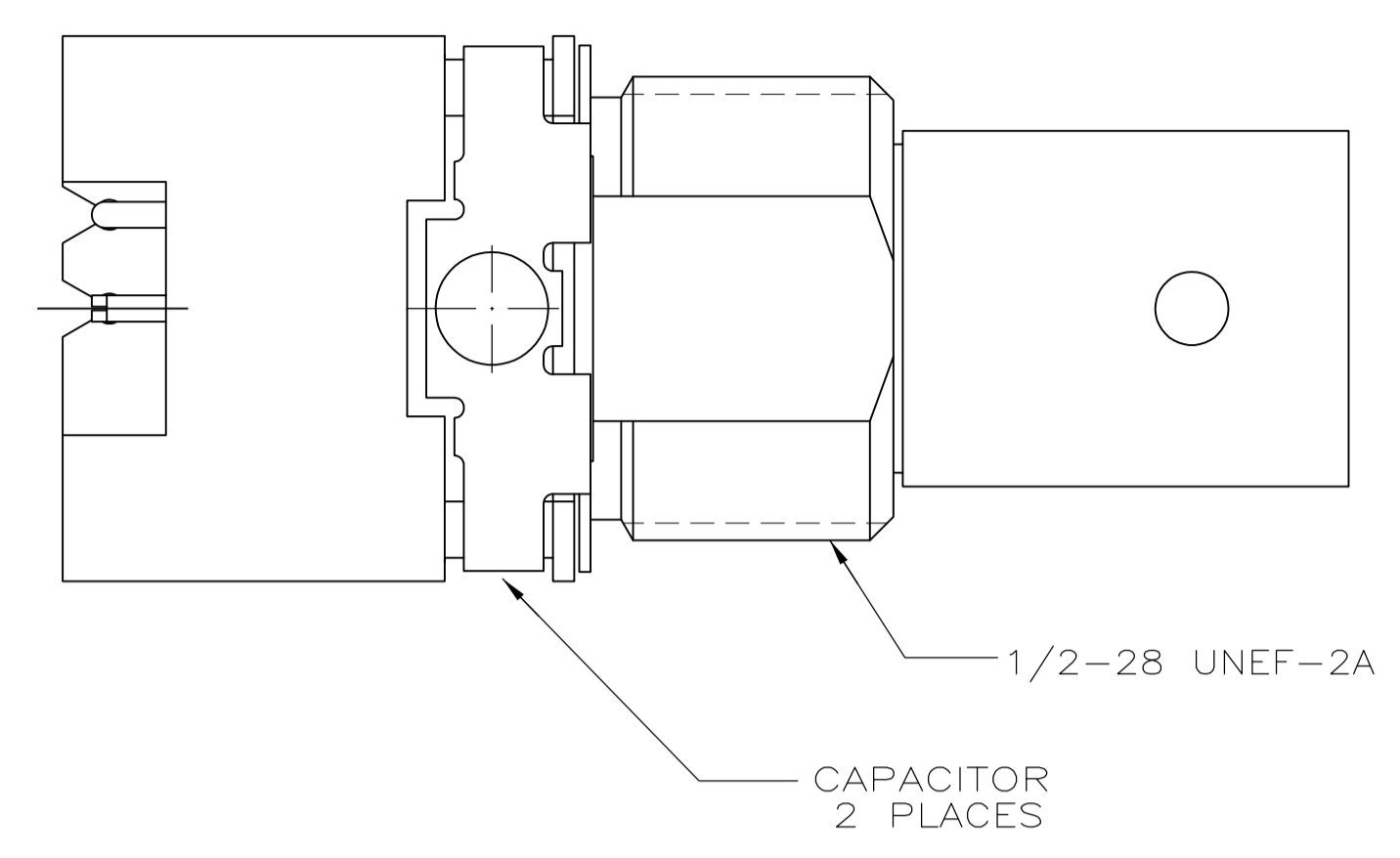
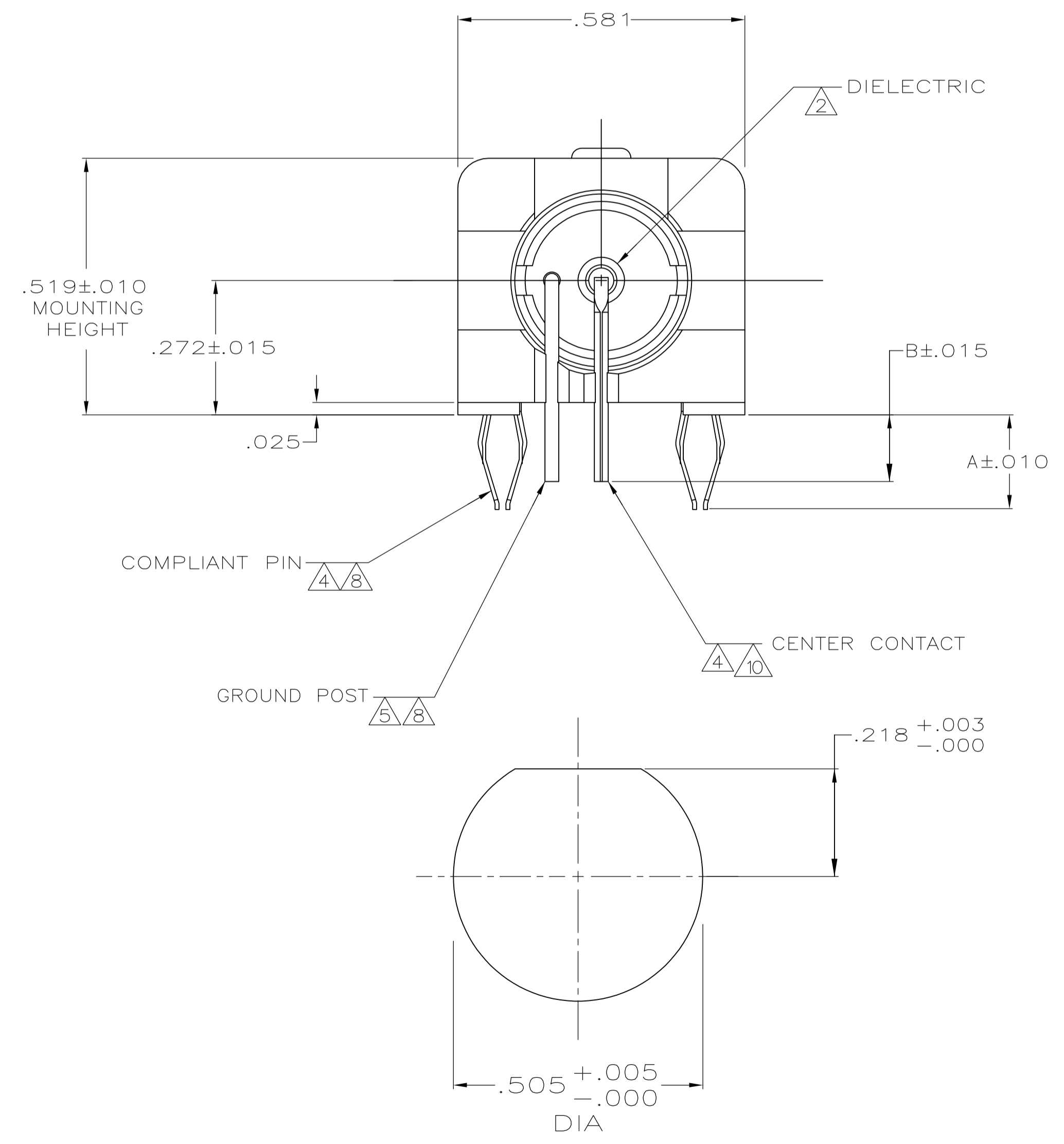


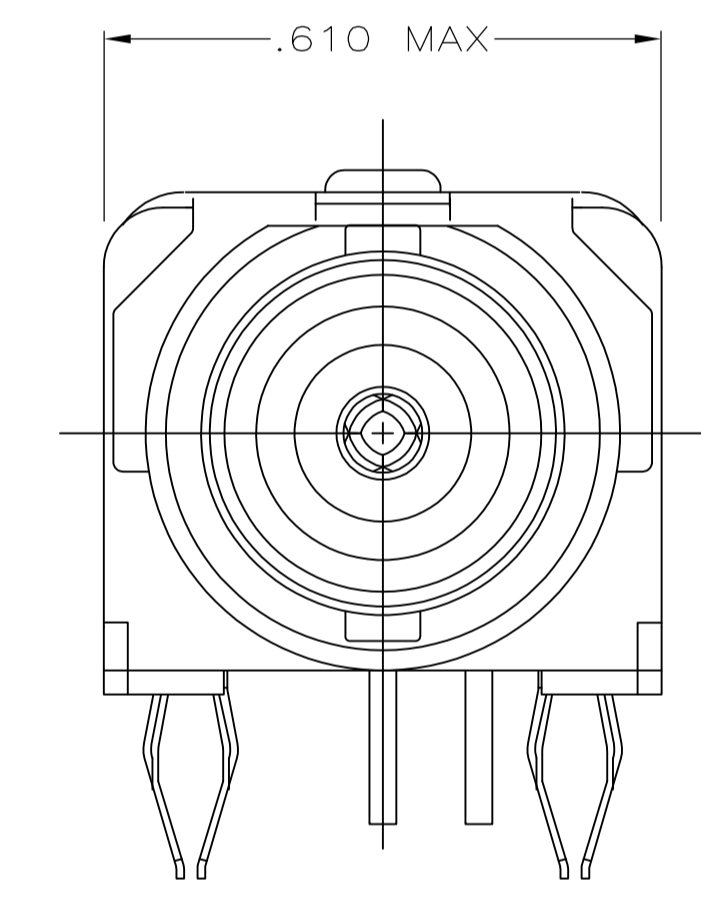
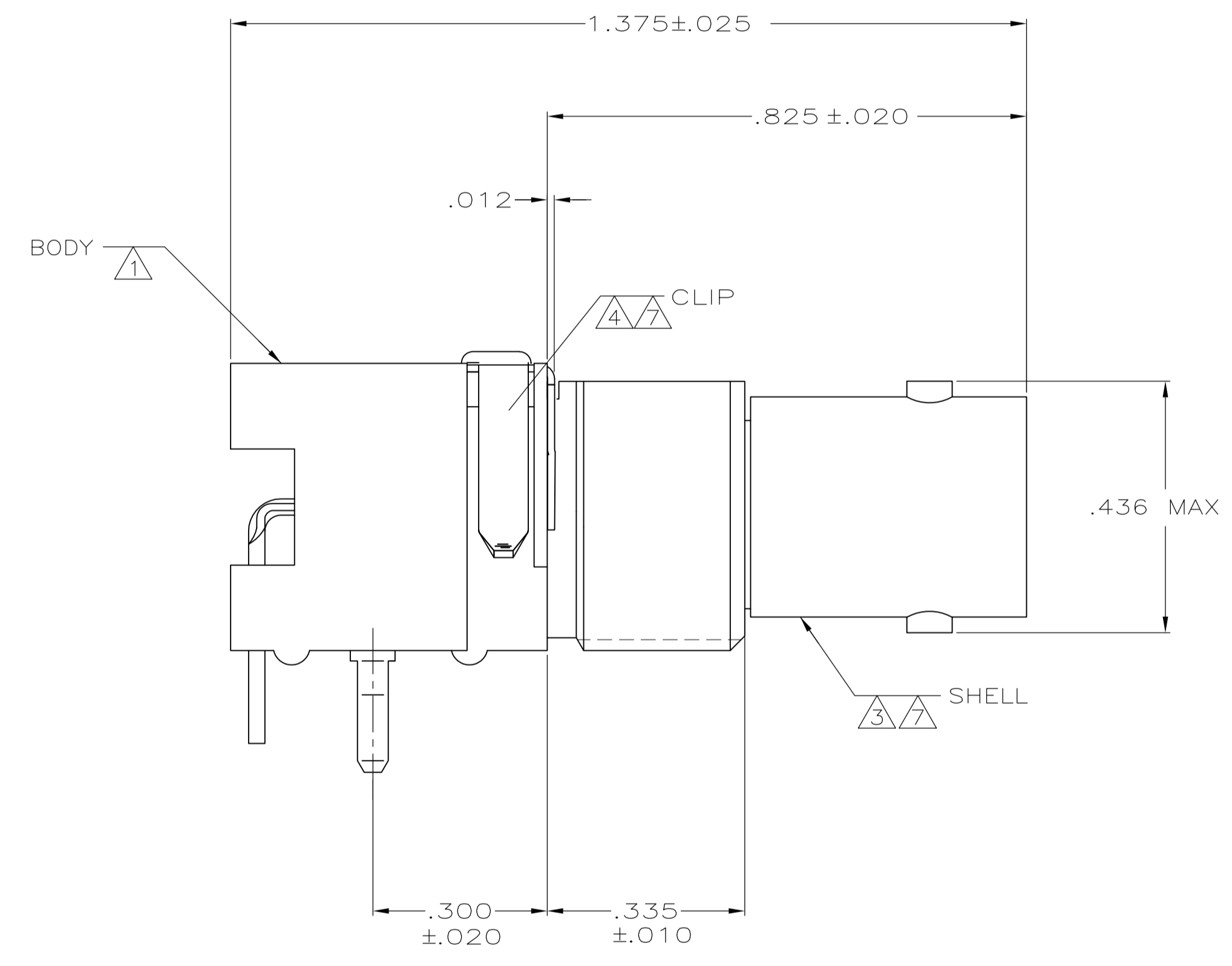
P.C.B. CONFIGURATION  
SCALE=10:1



- ① POLYESTER,PCT,BLACK,30% GLASS FILLED
- ② POLYMETHYLPENTENE GENERAL PURPOSE
- ③ ZINC PER QQ-Z-363
- ④ PHOSPHOR BRONZE PER QQ-B-750
- ⑤ BRASS PER QQ-B-626
- ⑥ BRASS PER ASTM-B-453
- ⑦ NICKEL PL PER QQ-N-290
- ⑧ TIN PLATE PER ASTM-B-545
- ⑨ TIN PLATE PER ASTM-B-545
- ⑩ SELECTIVELY GOLD PLATED ON INTERFACE AREA PER: MIL-G-45204, .000030 THK,TIN PLATE ON SOLDER TAIL PER: ASTM-B-545, ALL OVER NICKEL PL PER: QQ-N-290



RECOMMENDED PANEL CUTOUT



OBSOLETE	.115.110	9400 pf, 500 VDC	414352-2
	.135.185	9400 pf, 500 VDC	414352-1
	B	A	CAPACITANCE & VOLTAGE PART NO

THIS DRAWING IS A CONTROLLED DOCUMENT.		DIN M. SNEED 3-5-92	Tyco Electronics Corporation Harrisburg, PA 17105-3608	
DIMENSIONS: INCHES	TOLERANCES UNLESS OTHERWISE SPECIFIED:	CHK R. HENRY 5-20-92	APVD R. HENRY 5-20-92	NAME
	0 PLC ± -	PRODUCT SPEC		
	1 PLC ± -	108-1269		
	2 PLC ± -	APPLICATION SPEC		
MATERIAL THRU	FINISH	SIZE	CAGE CODE	DRAWING NO
	① ⑥ ⑦ ⑧ ⑨ ⑩	—	A1	00779C=414352
CUSTOMER DRAWING		WEIGHT	RESTRICTED TO	SCALE
		—	—	5:1
			SHEET	1 OF 1
			REV	H