

MATERIALS AND FINISHES

BODY, COUPLING NUT: BRASS  
PLATED NICKEL

CONTACT: BRASS  
PLATED GOLD

CRIMP TUBE, COVER: BRASS  
PLATED NICKEL

SNAP RING: BERYLLIUM COPPER

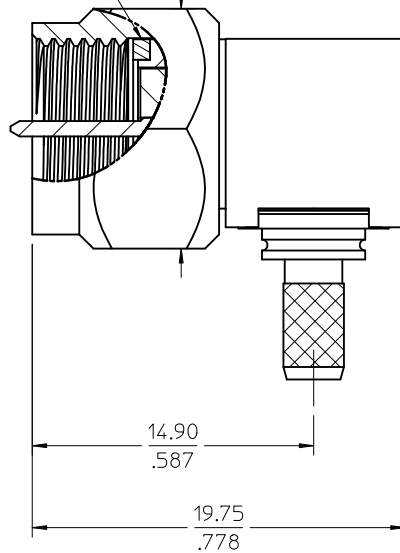
INSULATOR: TEFLON

GASKET (SEE TABLE): SILICONE RUBBER

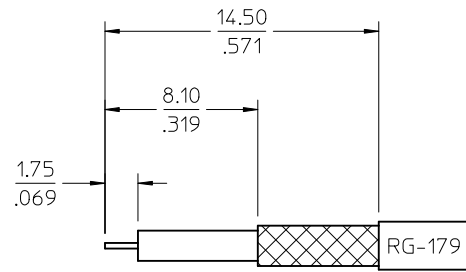
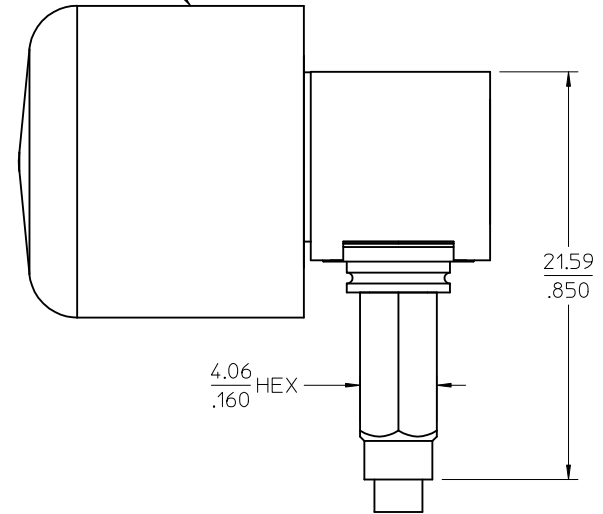
CAP: VINYL (BLACK)

SEE TABLE  
FOR GASKET

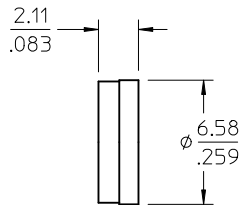
12.70  
.500 HEX



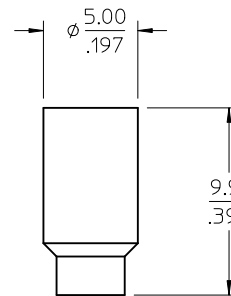
PROTECTIVE CAP



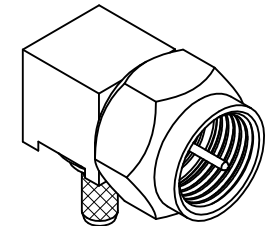
RECOMMENDED CABLE STRIP



CAP



CRIMP TUBE



73356-0231	WITH INTERFACE GASKET
73356-0230	WITHOUT INTERFACE GASKET
PART NO.	DESCRIPTION
PS-89675-3640	ELECTRO PERFORMANCE
SPECIFICATION	DESCRIPTION

CHG: UPDATE VIEWS  
PS WAS  
PS-89675-4710  
A7

EC NO: 2010/06/30  
DRWN: JWIENER 2010/07/01  
CHKD: SSS 2010/07/01  
APPR: JWIENER 2010/07/01

DESCRIPTION

QUALITY SYMBOLS	▽=0
	▽=0
GENERAL TOLERANCES (UNLESS SPECIFIED)	mm
	INCH
DRAFT WHERE APPLICABLE MUST REMAIN WITHIN DIMENSIONS	4 PLACES ± --- ± ---
	3 PLACES ± --- ± ---
	2 PLACES ± --- ± ---
	1 PLACE ± --- ± ---
ANGULAR ± 2 °	

DIMENSION STYLE		SCALE	DESIGN UNITS	THIRD ANGLE PROJECTION
MM/IN			METRIC	
DRAWN BY	DATE	TITLE		
LMB	2000/10/02	F PLUG, R/A FOR RG179 F-PC		
CHECKED BY	DATE	MOLEX MOLEX INCORPORATED		
GMH	2000/10/02	SD-73356-023		
APPROVED BY	DATE	SHEET NO.		
JWIENER	2010/07/01	1 OF 1		
MATERIAL NO.	SEE TABLE	THIS DRAWING CONTAINS INFORMATION THAT IS PROPRIETARY TO MOLEX INCORPORATED AND SHOULD NOT BE USED WITHOUT WRITTEN PERMISSION		
SIZE	C			