

Series LWD-T

TDK-Lambda



15-50

W A T T S

POWER SUPPLY AC/DC

**DUAL OR
TRIPLE OUTPUT**

Universal input 85 at 265VAC

Low profile : 26mm high

Fully regulated outputs

**Conforms to EMI conducted
EN55022 curve B**

Guarantee 1 year

INPUT

Input voltage range	85-265VAC
Frequency	47-440Hz
Inrush current (at 200VAC)	28A on LWD 30, LWD 50, LWT 15H 32A on LWD 15, LWT 30H, LWT 50H
Input protection	fuse
Input voltage DC Input	110-330VDC

OUTPUT

Power (convection cooled)	15 to 50W
Adjustable output	+ 5% on output 1
Line regulation	1% on all models
Liner regulation	2% of 0 to 100% of charge
Hold up (at 100VAC)	20mS at full charge
Ripple and noise (value peak to peak) :	
on the 5V	100mV
on the 12V and the 15V	150mV
on the 24V	200mV
Coefficient temperature	0.02% / °C on output 1 0.04% / °C on outputs 2 and 3
Over current protection	current limit
Over voltage protection	135% output 1 only

GENERAL

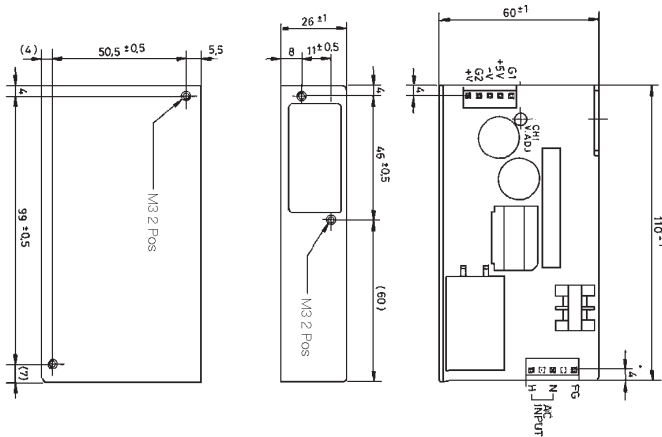
Efficiency	63% on LWD 15 72% on other models
MTBF	Consult Technical Sales
Isolation voltage :	
Input-output	2kV RMS
Input-ground	2kV RMS
Isolation resistance	
Output-ground	> 100MΩ 500V

ENVIRONMENTAL

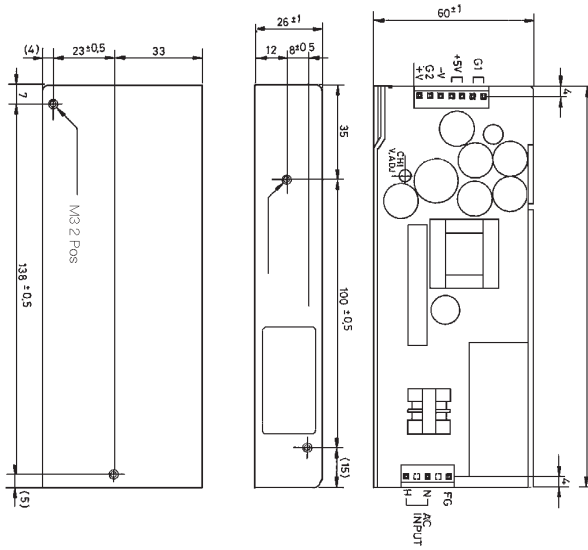
Operating temperature range (convection cooled)	0°C to + 60°C
Storage temperature	- 30°C to + 85°C
Relative humidity :	
operating	30% to 90% RH
storage	10% to 95 %

PHYSICAL SPECIFICATION (continued)

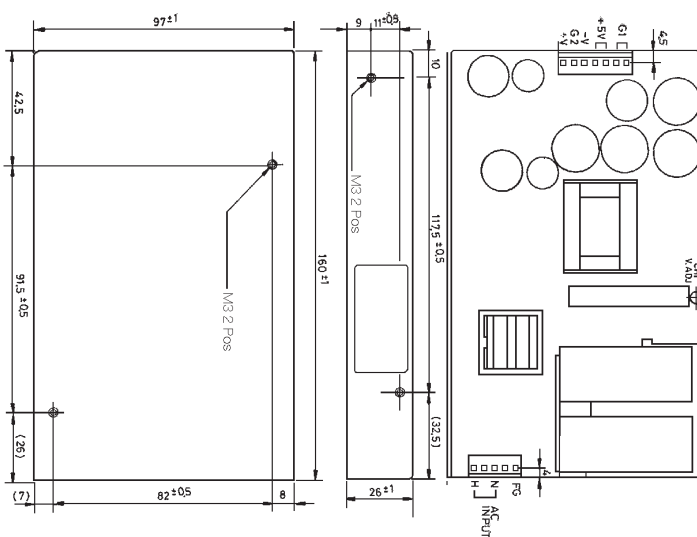
CASE 15
Weight 0.18Kg



CASE 30
Weight 0.25Kg

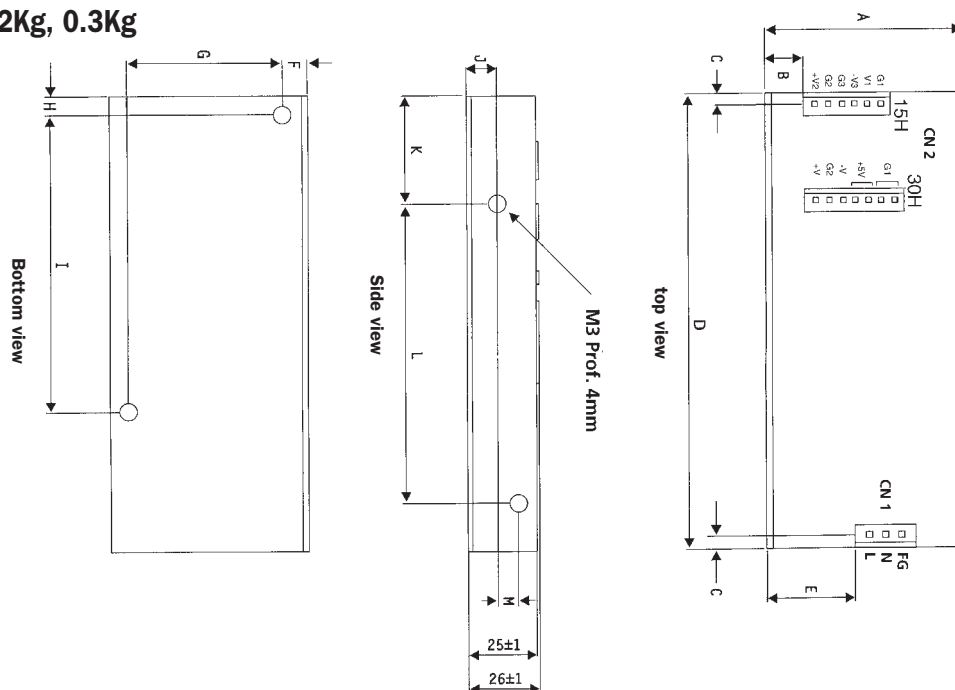


CASE 50
Weight 0.4Kg

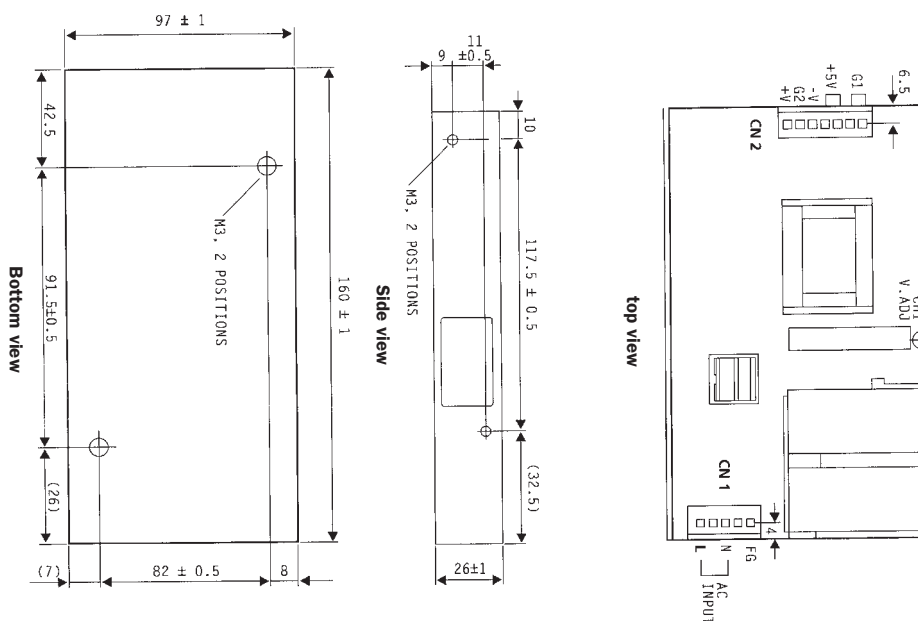


PHYSICAL SPECIFICATION (continued)

CASE 15H, 30H Weights 0.22Kg, 0.3Kg



CASE 50H Weight 0.4Kg



Case	Dimensions (mm)												
	A	B	C	D	E	F	G	H	I	J	K	L	M
15H	60±1	8.5	4.5	128±1	27.5	5.5	50.5±0.5	4	99±0.5	8	4	46±0.5	11±0.5
30H	70±1	15.5	4	160±1	10	43	23±0.5	17	138±0.5	12	45	100±0.5	8±0.5

OUTLINE SPECIFICATION (continued)

ENVIRONMENTAL (continued)

Derating :
Convection/forced air + 10°C

Temp.	40°C	45°C	50°C	60°C
Model				
LWD	100%	100%	60%	40%
LWT 15H	100%	100%	80%	60%
LWT 30H	100%	100%	80%	60%
LWT 50H	100%	100%	80%	60%

Shock	20G
Vibration	2G
EMI	LWT conforms to EN55022 curve B (conducted) LWD conforms to EN55022 curve A (conducted)

TABLE OF MODELS

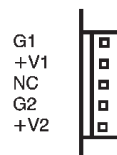
Model	Case	Power Watts	Current		Output 1		Output 2		Output 3		Dimensions (L x W x H)
			(min. load) Amp.		Volts	Amp.	Volts	Amp.	Volts	Amp.	
LWD 15 0512	15	15	0		5	1.5	12	0.6			110 x 60 x 26
LWD 30 0512	30	29	0		5	3.0	12	1.2			150 x 60 x 26
LWD 50 0512	50	49	1		5	5.0	12	2.0			160 x 97 x 26
LWD 15 0524	15	15	0		5	1.5	24	0.3			110 x 60 x 26
LWD 30 0524	30	29	0		5	3.0	24	0.6			150 x 60 x 26
LWD 50 0524	50	49	1		5	5.0	24	1.0			160 x 97 x 26
LWD 15 1212	15	14	0		12	0.6	12	0.6			110 x 60 x 26
LWD 30 1212	30	29	0		12	1.2	12	1.2			150 x 60 x 26
LWD 50 1212	50	48	0.4		12	2.0	12	2.0			160 x 97 x 26
LWD 15 1224	15	14	0		12	0.6	24	0.3			110 x 60 x 26
LWD 30 1224	30	29	0		12	1.2	24	0.6			150 x 60 x 26
LWD 50 1224	50	48	0.4		12	2.0	24	1.0			160 x 97 x 26
LWD 15 1515	15	15	0		15	0.5	15	0.5			110 x 60 x 26
LWD 30 1515	30	30	0		15	1.0	15	1.0			150 x 60 x 26
LWD 50 1515	50	48	0.3		15	1.6	15	1.6			160 x 97 x 26
LWT 15H 525	15H	17	0.5		5	3.0	+12	0.6	-5	0.4	128 x 60 x 26
LWT 30H 525	30H	30	0.7		5	5.0	+12	1.2	-5	0.6	160 x 70 x 26
LWT 50H 525	50H	50	1		5	8.0	+12	1.5	-5	1.0	160 x 97 x 26
LWT 15H 522	15H	17	0.5		5	3.0	+12	0.6	-12	0.4	128 x 60 x 26
LWT 30H 522	30H	30	0.7		5	5.0	+12	1.2	-12	0.6	160 x 70 x 26
LWT 50H 522	50H	50	1		5	8.0	+12	1.5	-12	1.0	160 x 97 x 26
LWT 15H 5FF	15H	17	0.5		5	3.0	+15	0.6	-15	0.4	128 x 60 x 26
LWT 30H 5FF	30H	30	0.7		5	5.0	+15	1.2	-15	0.6	160 x 70 x 26
LWT 50H 5FF	50H	50	1		5	8.0	+15	1.5	-15	1.0	160 x 97 x 26

CONNECTION

Input connector	JST type VHR-5N
Output connector	JST type VHR-5N (LWT 15H, LWD 15, 30) JST type VHR-7N (LWT 30H, 50H, LWD 50)
Type of case	open frame

Series LWD, Output connections :

LWD 15-30



LWD 50

