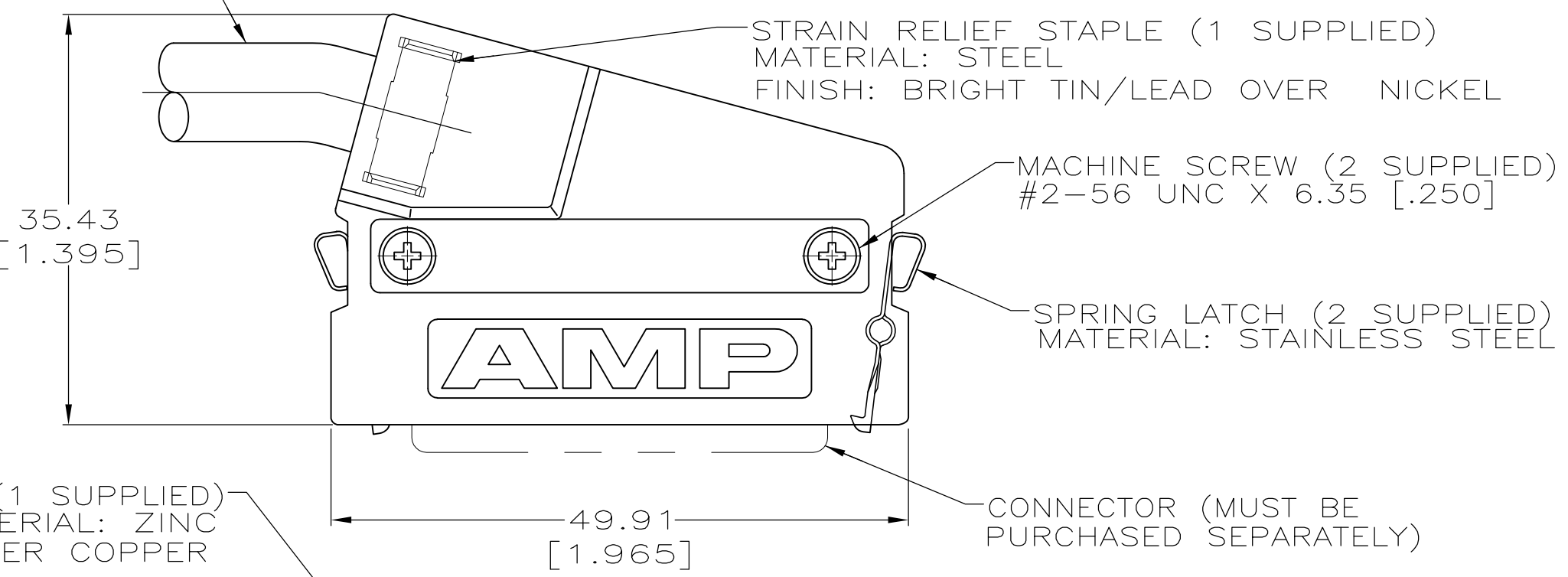


THIS DRAWING IS UNPUBLISHED. RELEASED FOR PUBLICATION
 © COPYRIGHT - By - ALL RIGHTS RESERVED.

LOC	DIST	REVISIONS					
GP	00	P	LTR	DESCRIPTION	DATE	DWN	APVD
			F	REVISED PER ECO-11-012755	27JUL2011	CJV	SLB

CABLE SUPPLIED BY CUSTOMER SEE TABLE



△3	△5	△6	749202-4
△4	△2	△6	749202-3
△3	△2		749202-2
△3	△1	△6	749202-1
PACKAGING	CABLE DIA	PART NUMBER	

- △1 9.02[.355] MAX CABLE DIAMETER.
- △2 10.16[.400] MAX CABLE DIAMETER.
- △3 PACKAGED ONE KIT PER BAG.
- △4 BULK PACKAGED.
- △5 12.19[.480] MAX CABLE DIAMETER.
- △6 OBSOLETE PART NUMBER.

THIS DRAWING IS A CONTROLLED DOCUMENT.

DIMENSIONS: INCHES	TOLERANCES UNLESS OTHERWISE SPECIFIED:	DWN M.E.SHIRK 12/20/88	 TE Connectivity KIT, UNASSEMBLED, 50 POSITION, 75° EXIT, UNKEYED, AMPLIMITE™, .050 Series
	0 PLC ± -	CHK M.A.MCCAFFREY 12/20/88	
	1 PLC ± -	APVD J.L. BROSCARD 12/20/88	
MATERIAL	FINISH	PRODUCT SPEC	
SEE CALLOUTS	SEE CALLOUTS	APPLICATION SPEC	RESTRICTED TO
		WEIGHT	SIZE
			CAGE CODE
			DRAWING NO
			REV

CUSTOMER DRAWING SCALE 2:1 SHEET 1 OF 1