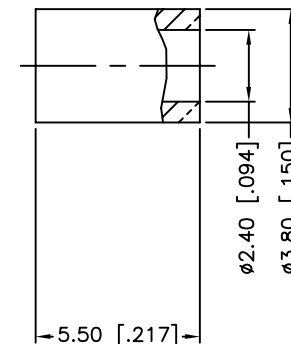
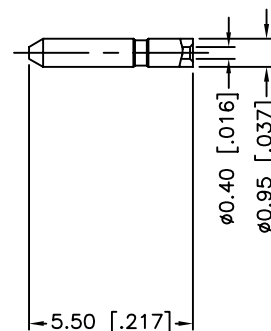
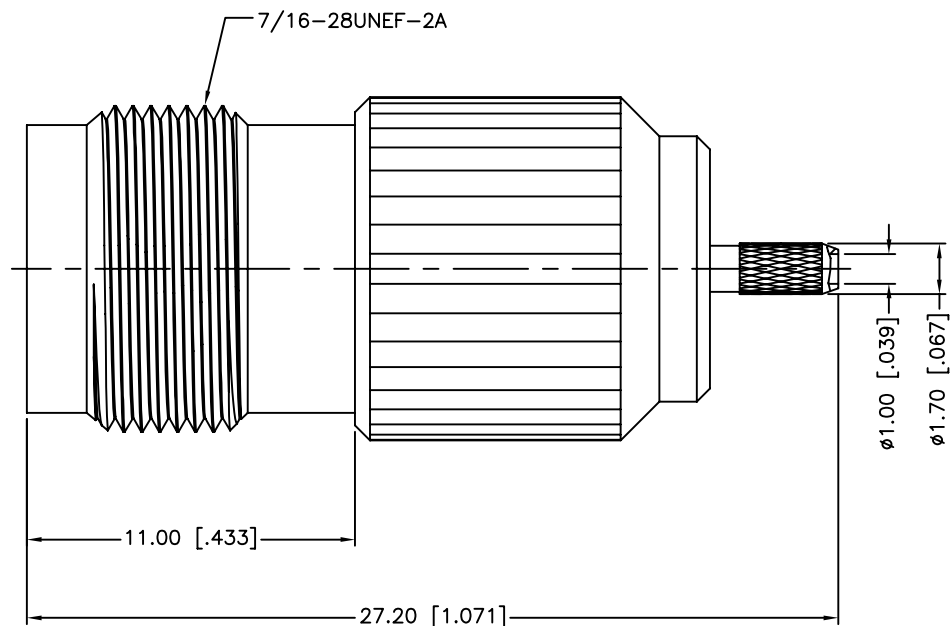


RECOMMENDED  
CABLE STRIPPING DIM'S

REV.	DATE	ECR NO.	DESCRIPTION
NC	01/08/08	XXXXXX	INITIAL RELEASE
A	01/17/08	XXXXXX	REVISE NOTE 2. CONTACT PIN TO SOLDER.
B	02/25/10	2025	FERRULE'S O.D. & INSULATOR'S MATERIAL WAS CHANGED



1. CRIMPED FERRULE  
HEX CRIMP SIZE .128"
2. CONTACT PIN TO SOLDER

DESCRIPTION	MATERIAL	FINISH	QTY
7 FERRULE	BRASS	NICKEL	1
6 CONTACT PIN	BRASS	GOLD	1
5 BARREL	BRASS	NICKEL	1
4 CONTACT PIN	PHOSPHOR BRONZE	GOLD	1
3 BODY	BRASS	NICKEL	1
2 INSULATOR	PTFE	NATURAL	1
1 HOUSING	BRASS	NICKEL	1

UNLESS OTHERWISE SPECIFIED DIMENSIONS ARE IN MILLIMETERS. DIMENSIONS IN [ ] ARE IN INCHES AND FOR CUSTOMER REFERENCE ONLY.

UNLESS OTHERWISE SPECIFIED TOLERANCES FOR MILLIMETERS ARE:  
 0.5 - 8mm ± 0.20mm  
 8 - 30mm ± 0.40mm  
 30 - 120mm ± 0.50mm

UNLESS OTHERWISE SPECIFIED TOLERANCES FOR INCHES ARE:  
 .020 - .315 = ± 0.007"  
 .315 - 1.180 = ± 0.015"  
 1.180 - 4.724 = ± 0.020"

DO NOT SCALE DRAWING

APPROVALS	DATE
DRAWN T.DENG	02/25/10
CHECKED	
ISSUED	
SHEET 1 OF 1	
CAD FILE	C:/CONNEX/122455.DWG

**Amphenol Connex**

**TNC CRIMP JACK  
(FOR RG-178B/U,196A/U CABLE)**

PART NO. **122455**

DWG. NO. 122455.DWG    REV. B    SIZE A    SCALE NA