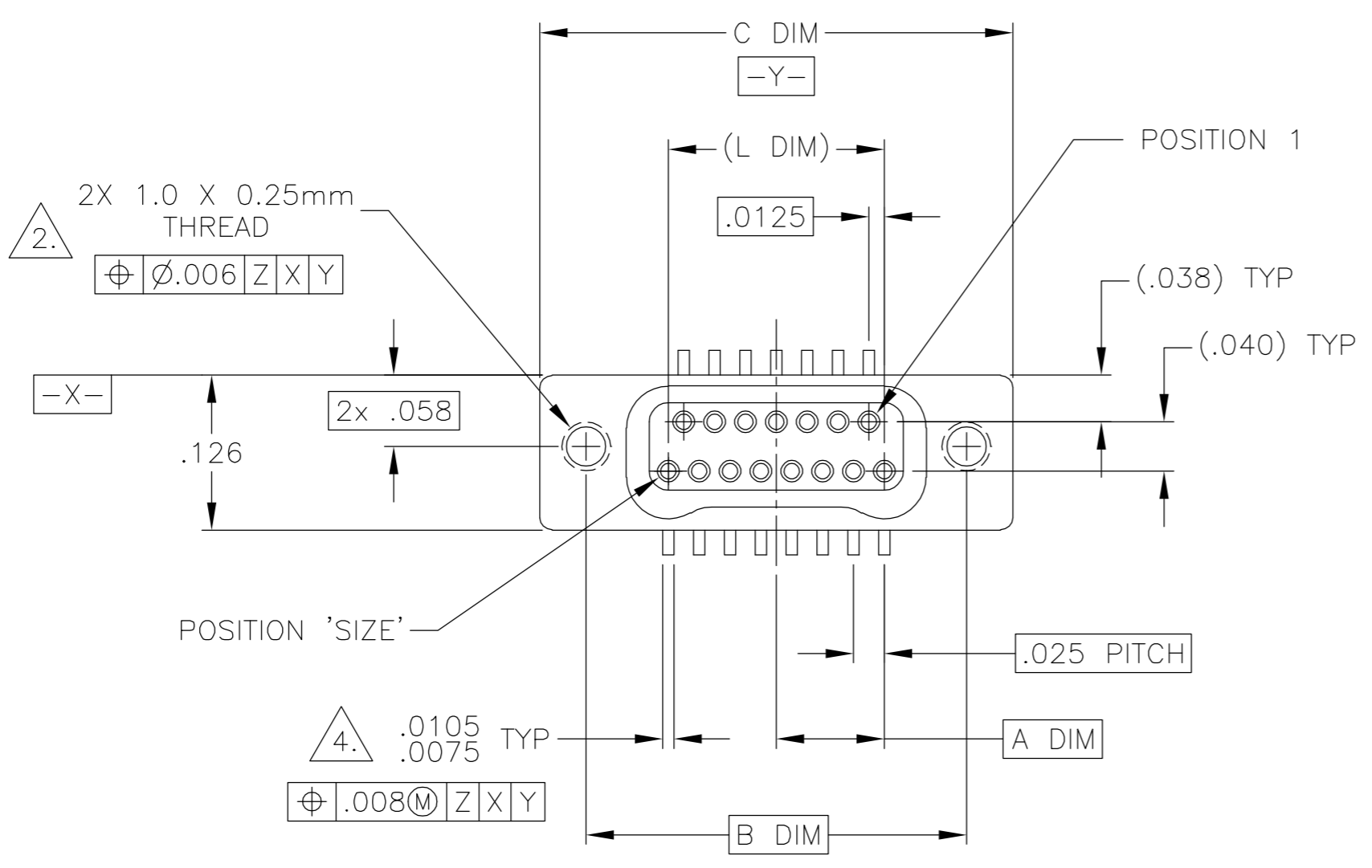
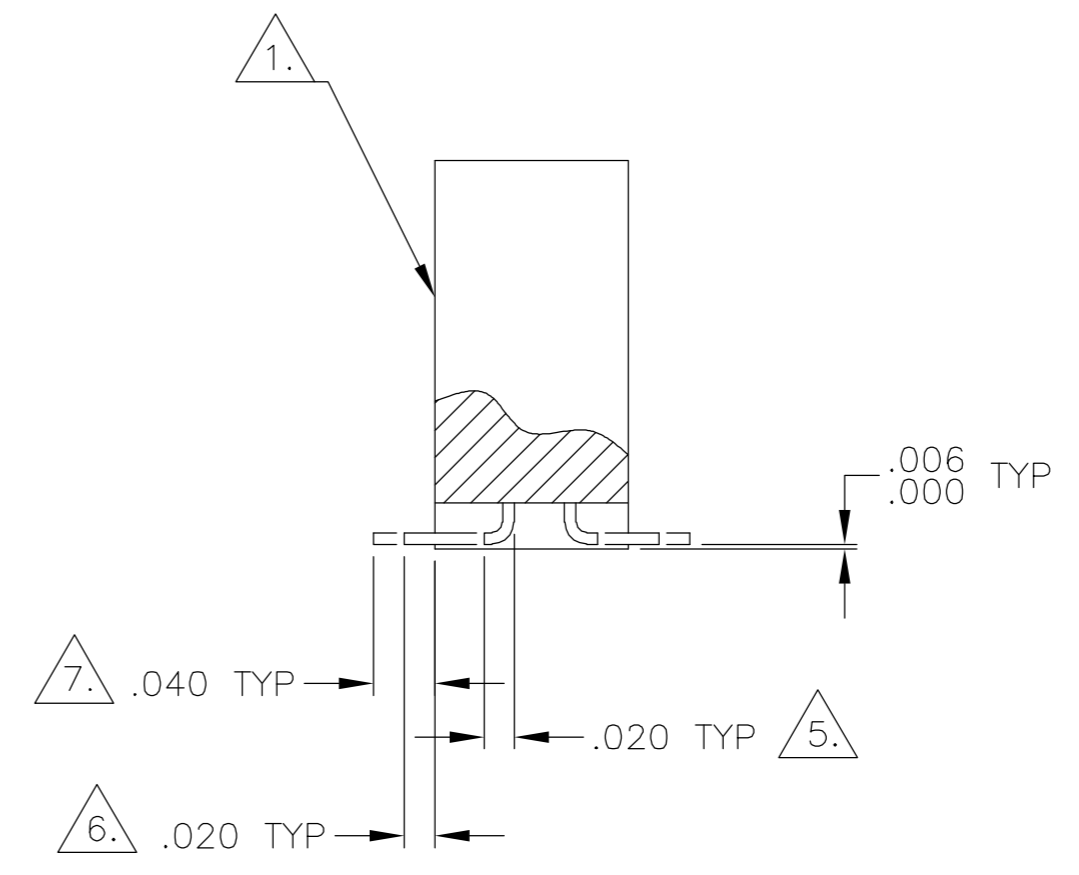
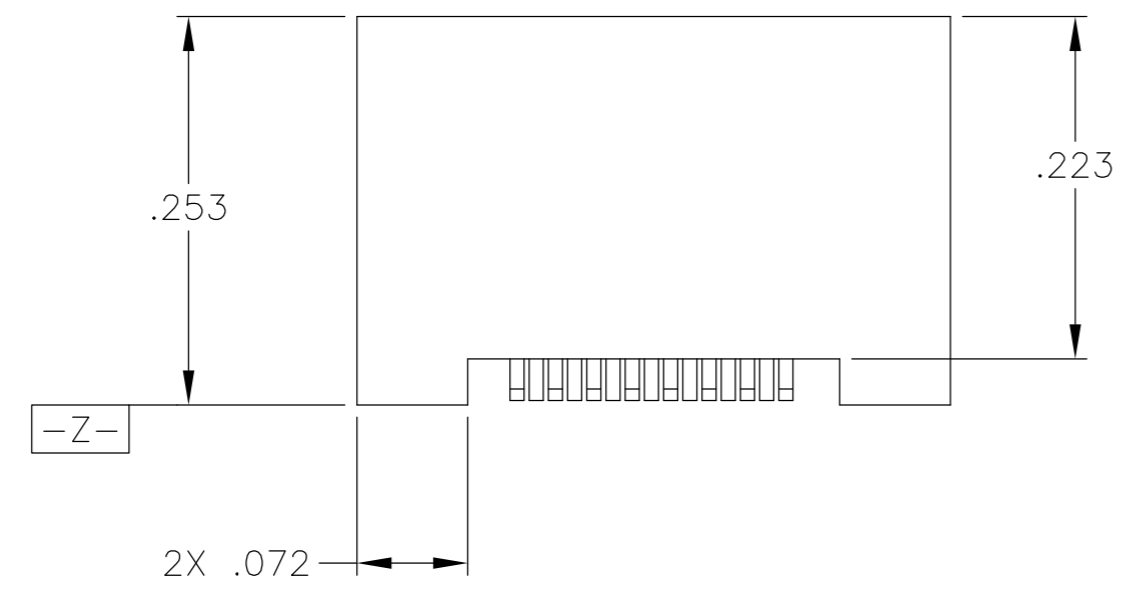


THIS DRAWING IS UNPUBLISHED. RELEASED FOR PUBLICATION  
 © COPYRIGHT BY TYCO ELECTRONICS CORPORATION. ALL RIGHTS RESERVED.

LOC	DIST	REVISIONS					
DF	D0	P	LTR	DESCRIPTION	DATE	DWN	APVD
		D		UPDATE PER 0H2Y-0164-04	12 MAY 04	CAS	MKS



SIZE	A DIM	B DIM	C DIM ±.0050	(L DIM)
09	.050	.229	.3085	(.100)
15	.0875	.304	.3835	(.175)
25	.150	.429	.5085	(.300)
37	.225	.579	.6585	(.450)
51	.3125	.754	.8335	(.625)
65	.400	.929	1.0085	(.800)

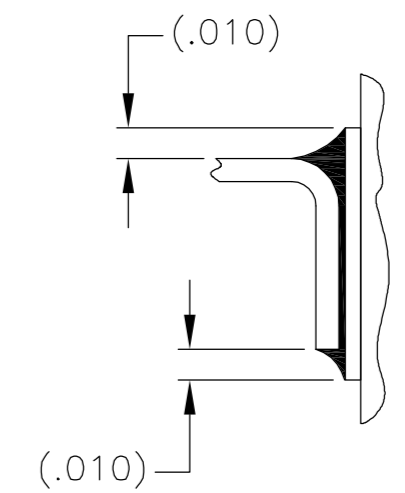
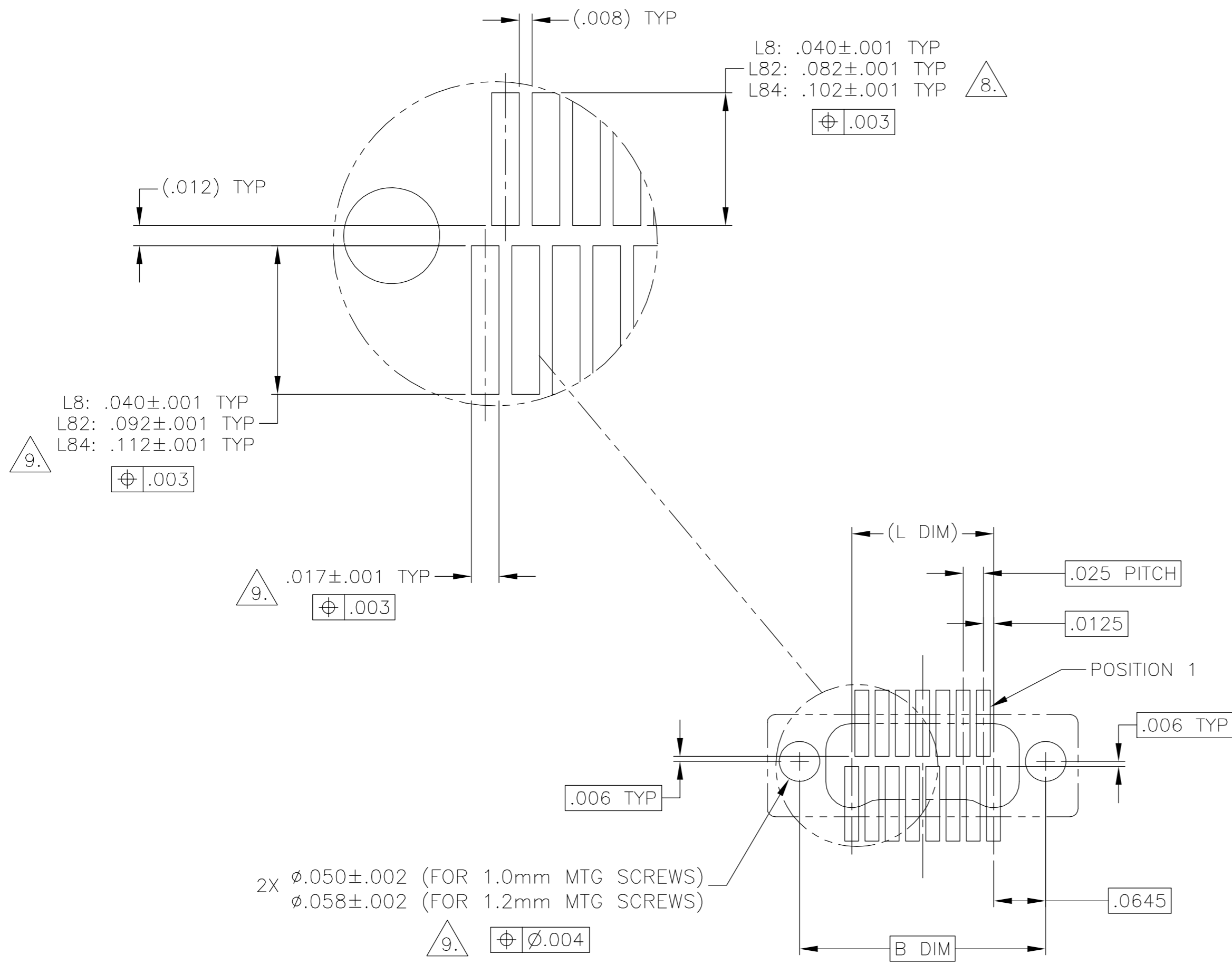


- 1. SHELL OPTIONS (TO BE SPECIFIED IN NANONICS PART NUMBER):  
 METAL: 6061-T6 ALUMINUM, ELECTROLESS NICKEL PLATED PER MIL-C-26074 (STANDARD) OR GOLD PLATED PER MIL-G-45204  
 303 STAINLESS STEEL, PASSIVATED PER SAE-AMS-QQ-P-35  
 INSULATOR MATERIAL FOR ALL METAL SHELLS IS LIQUID CRYSTAL POLYMER (LCP) PER MIL-M-24519 OR PER ASTM D5138
- 2. STANDARD 1.0 X 0.25mm JACKSCREW AND MOUNTING THREADS ARE SHOWN FOR REFERENCE ONLY AND MUST BE SPECIFIED IN THE NANONICS PART NUMBER WHEN REQUIRED. 1.2 X 0.25mm THREADS ALSO AVAILABLE.
- 3. MOUNTING HARDWARE IS AVAILABLE WITH THIS CONFIGURATION (NOT SHOWN). HARDWARE MUST BE SPECIFIED IN THE NANONICS PART NUMBER. CONSULT TYCO ELECTRONICS FOR DETAILS.
- 4. SMT LEADS ARE BeCu, TIN LEAD PLATED 60/40 COMPOSITION PER SAE-AMS-P-81728.
- 5. NANONICS TERMINATION CODE: L8    6. NANONICS TERMINATION CODE: L82    7. NANONICS TERMINATION CODE: L84
- 8. THIS DRAWING PREVIOUSLY IDENTIFIED AS NANONICS N10138/246

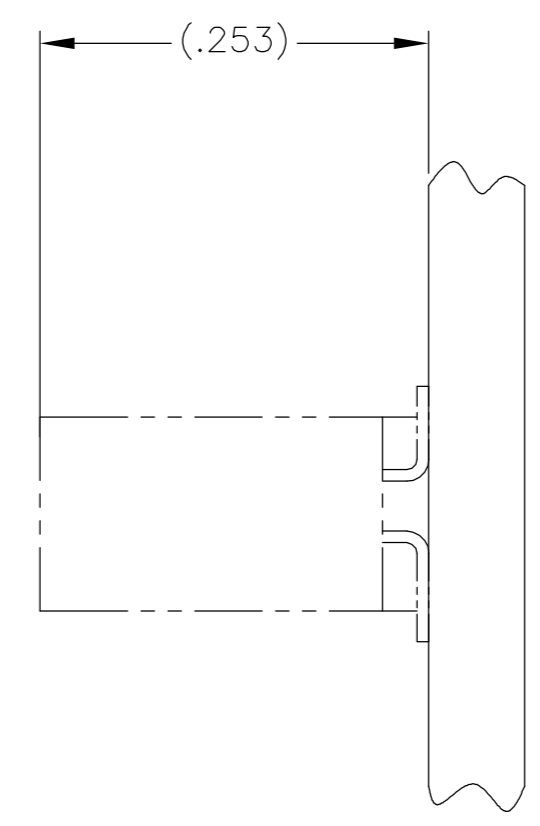
THIS DRAWING IS A CONTROLLED DOCUMENT.		DWN C. SCHOLL 2 APR 01	Tyco Electronics Corporation Harrisburg, PA 17105
DIMENSIONS: INCHES		CHK M. STORRY 2 APR 01	
TOLERANCES UNLESS OTHERWISE SPECIFIED:		APVD -	NAME
0 PLC ± -		PRODUCT SPEC	RECEPTACLE ASSEMBLY, VERTICAL SURFACE
1 PLC ± -		APPLICATION SPEC	MOUNT, TWO ROW DUALLOBE,
2 PLC ± .010		WEIGHT	METAL, W/INTEGRATED STANDOFFS
3 PLC ± .005		SCALE	SIZE CAGE CODE DRAWING NO RESTRICTED TO
4 PLC ± -		8:1	A2 00779 C=1589486
ANGLES ± 1		CUSTOMER DRAWING	SHEET 1 OF 2 REV D
FINISH			
SEE NOTES			

THIS DRAWING IS UNPUBLISHED. RELEASED FOR PUBLICATION  
 © COPYRIGHT BY TYCO ELECTRONICS CORPORATION. ALL RIGHTS RESERVED.

LOC	DIST	REVISIONS					
DF	DO	P	LTR	DESCRIPTION	DATE	DWN	APVD
		D		UPDATE PER 0H2Y-0164-04	12 MAY 04	CAS	MKS



TYPICAL FOOT PLACEMENT ON SOLDER PAD



SIZE 15 SHOWN FOR REFERENCE

TYPICAL PCB LAYOUT

9. POSITIONAL TOLERANCES FOR BASIC DIMENSIONED FEATURES ARE RELATIVE TO FIDUCIALS OR SOME SIMILAR DATUM REFERENCE DEFINED BY THE PCB DESIGNER.

THIS DRAWING IS A CONTROLLED DOCUMENT.		DWN C. SCHOLL 2 APR 01	Tyco Electronics Corporation Harrisburg, PA 17105	
DIMENSIONS: INCHES	TOLERANCES UNLESS OTHERWISE SPECIFIED:	CHK M. STORRY 2 APR 01	NAME	
	0 PLC ± -	APVD	PRODUCT SPEC	
	1 PLC ± -		APPLICATION SPEC	
	2 PLC ± -		-	
	3 PLC ± -		-	
MATERIAL	FINISH	4 PLC ± -	SIZE	RESTRICTED TO
-	-	ANGLES ± -	A2	-
CUSTOMER DRAWING		WEIGHT	CAGE CODE	DRAWING NO
-		-	00779	C=1589486
SCALE 8:1		SHEET 2 OF 2		REV D