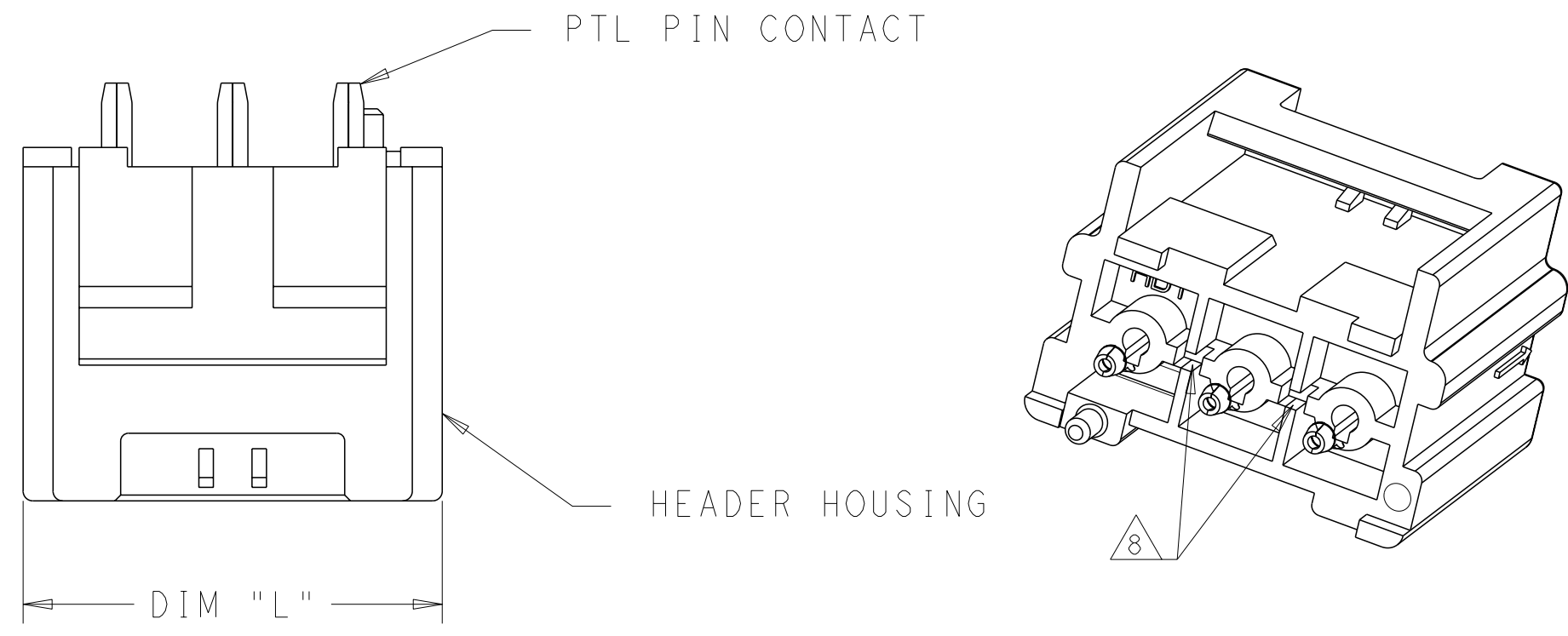
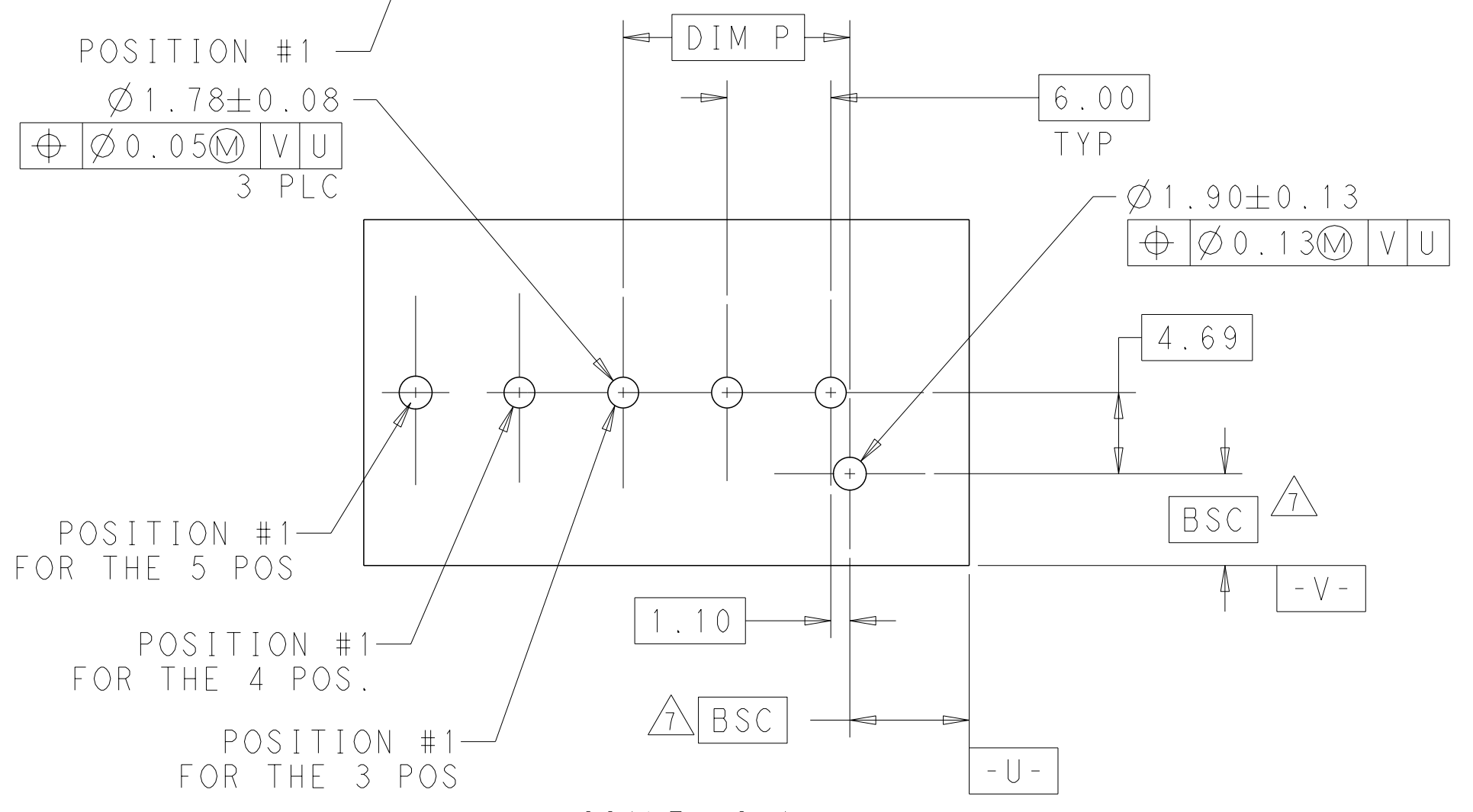
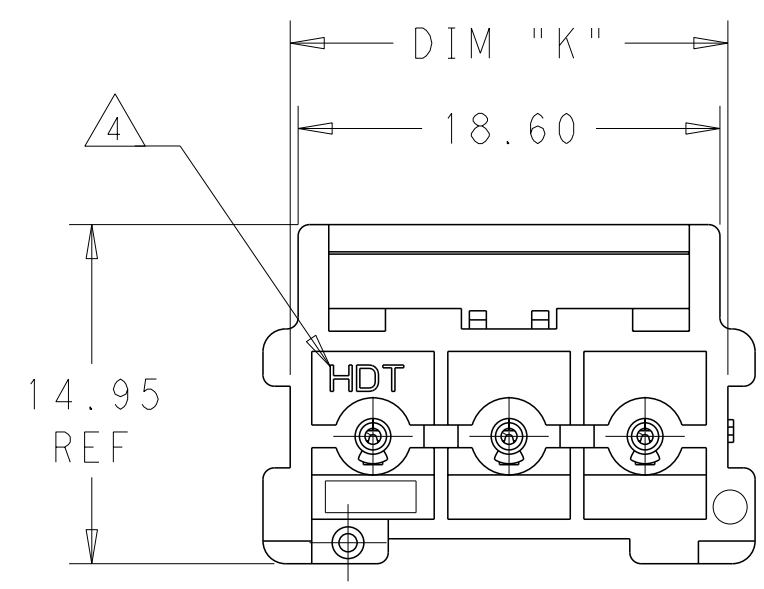
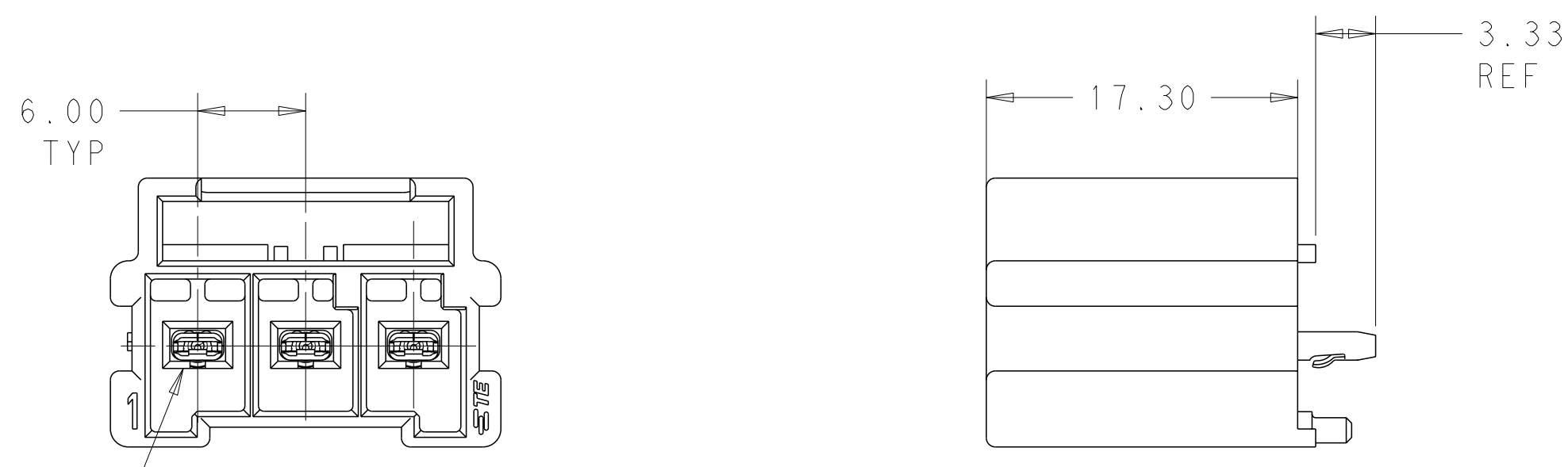


THIS DRAWING IS UNPUBLISHED. RELEASED FOR PUBLICATION
 © COPYRIGHT copyright.d8te- ALL RIGHTS RESERVED.

| REVISIONS | | | | |
|-----------|-----|---------------------------|-----------|-------|
| P | LTR | DESCRIPTION | DATE | APVD |
| B1 | | REVISED PER ECR-16-017647 | 08DEC2016 | RS GJ |
| | | | | |
| | | | | |



- 1 REFER TO TABLE ON SHEET 3 FOR RECOMMENDED MATING PLUG.
- 2 CAN BE SECURED TO THE PLUG WITH OPTIONAL CPA P/N 1971789-1.
- 3 FLAMMABILITY RATED PER UL 94 V-0.
- 4 LEVEL INDICATOR: PBT = STANDARD TEMP/GWT 105°C PBT GLASS FILLED
HDT = HIGH TEMP 150°C NYLON
- 5 PARTS COMPLY WITH SOLDERABILITY SPEC TEC-109-11-11-1.
- 6 THIS PRODUCT HAS NOT COMPLETED VALIDATION TESTING.
- 7 DATUM AND BASIC DIMENSION ESTABLISHED BY CUSTOMER.
- 8 FEATURE MAY NOT BE PRESENT ON HIGH TEMP VERSIONS
- 9 COMPLIES WITH GLOW WIRE REQUIREMENTS FOR PARTS OF NON-METALLIC MATERIALS SUPPORTING CURRENT CARRYING CONNECTIONS PER IEC-60335-1 SECTION 30 (GWT)



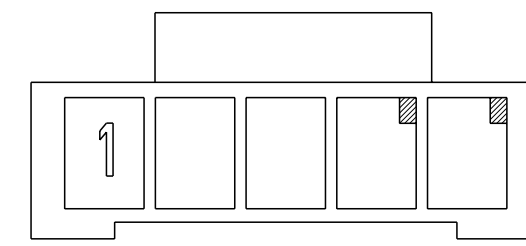
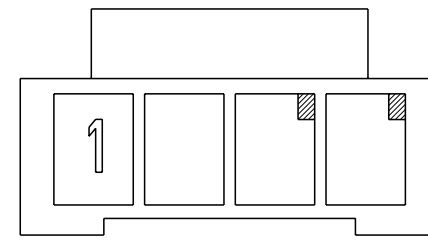
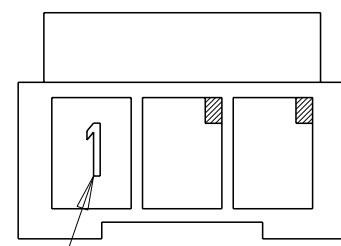
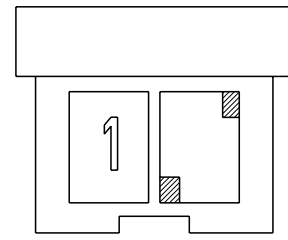
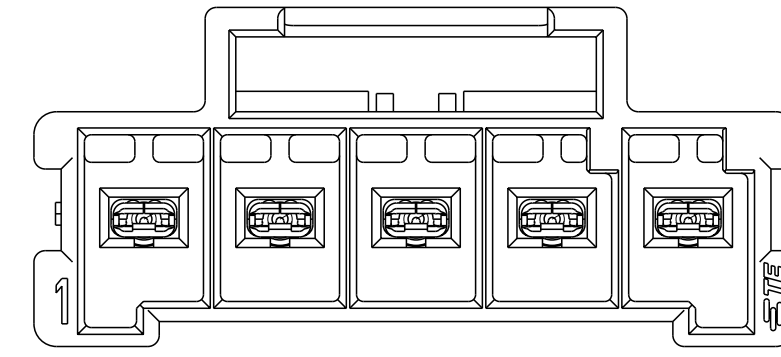
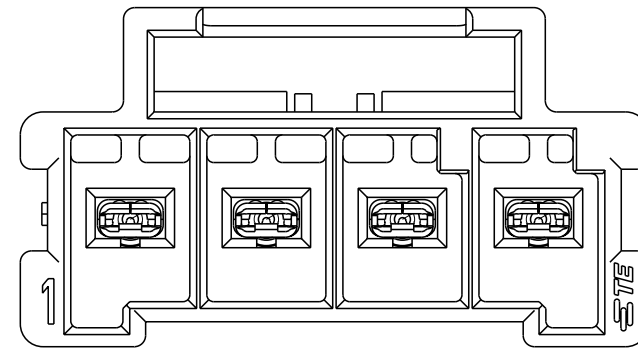
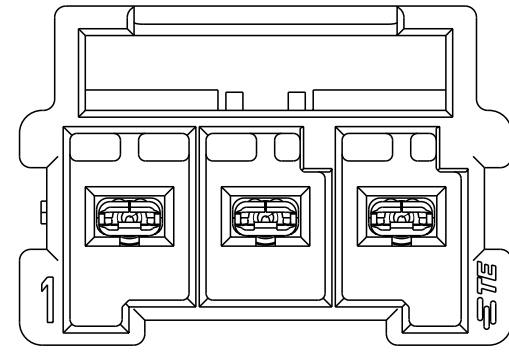
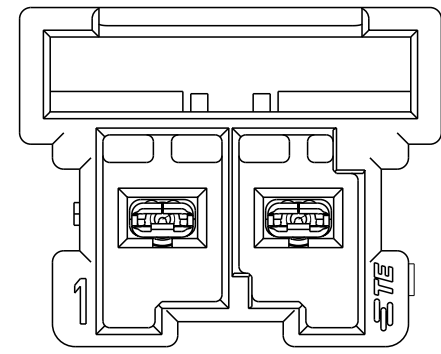
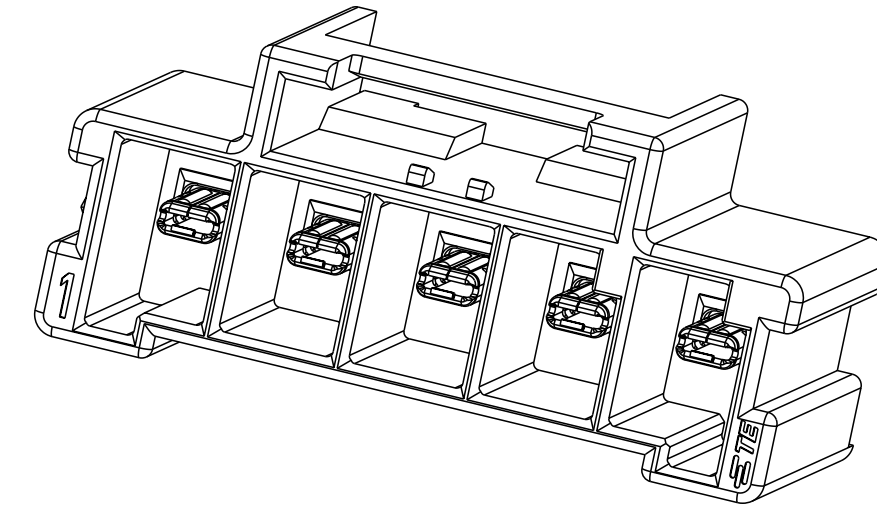
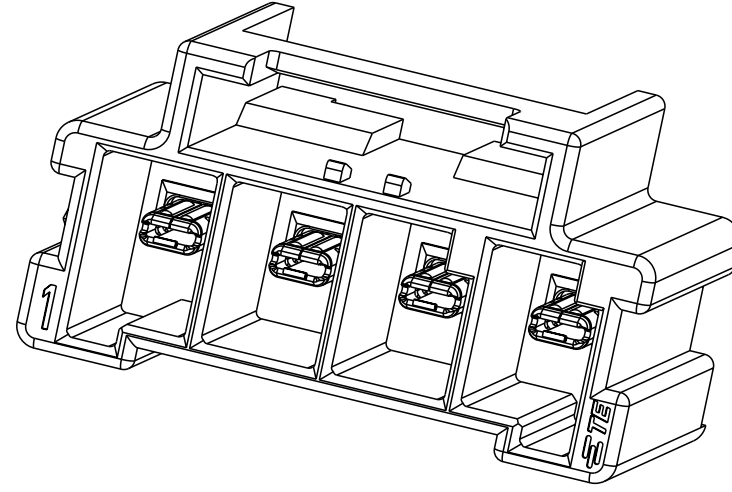
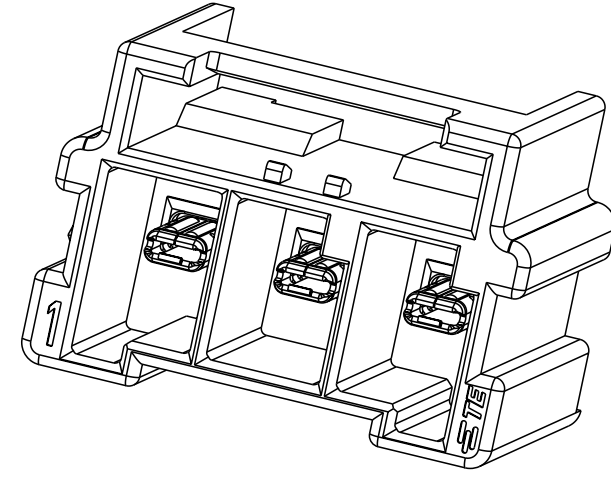
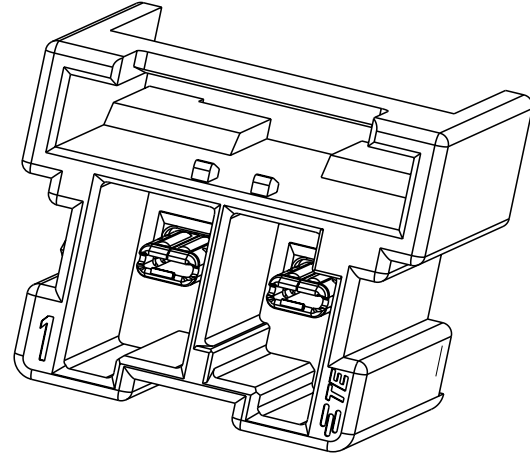
SEE SHEET 3 FOR PART NUMBER TABLE

SCALE 3:1
 RECOMMENDED PCB LAYOUT
 WITH A 1.58 THK BOARD

| | | | | |
|--|--|-------------------------------|--|--|
| THIS DRAWING IS A CONTROLLED DOCUMENT. | | DWN JR RUTH 05JUN14 | TE Connectivity | |
| DIMENSIONS: mm | | CHK DOMINIC FAROLE 05JUN14 | | |
| TOLERANCES UNLESS OTHERWISE SPECIFIED: | | APVD GENE JACONO 05JUN14 | NAME ASSEMBLY, HEADER, POWER TRIPLE LOCK, PC BOARD | |
| 0 PLC ± | | PRODUCT SPEC 108-32090 | SIZE A2 | |
| 1 PLC ±0.3 | | APPLICATION SPEC 114-32136 | CAGE CODE - | |
| 2 PLC ±0.25 | | WEIGHT - | DRAWING NO C-1969688 | |
| 3 PLC ± | | RESTRICTED TO - | | |
| 4 PLC ± | | SCALE 3:1 SHEET 1 OF 3 REV B1 | | |
| ANGLES ± | | Customer Drawing | | |
| FINISH PRE-TIN | | | | |

THIS DRAWING IS UNPUBLISHED. RELEASED FOR PUBLICATION
 © COPYRIGHT copyright.d8te ALL RIGHTS RESERVED.

| REVISIONS | | | | |
|-----------|-----|-------------|------|------|
| P | LTR | DESCRIPTION | DATE | APVD |
| - | | SEE SHEET 1 | - | - |
| | | | | |
| | | | | |

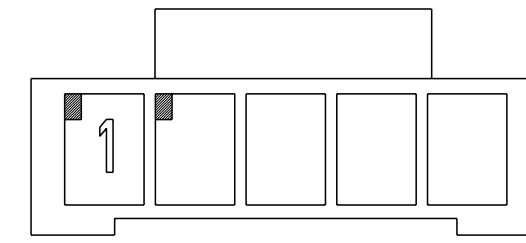
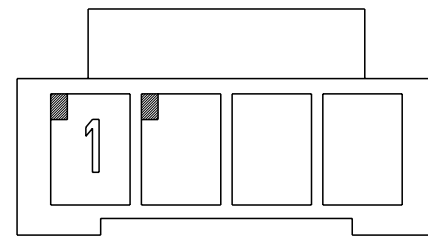
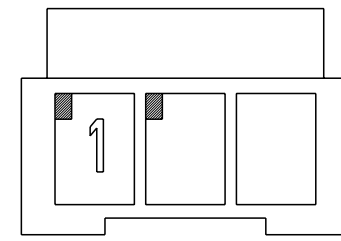
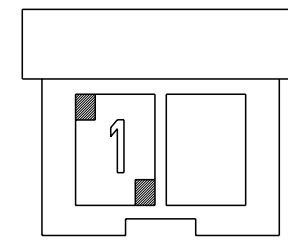


KEY A
SCALE 2:1

POSITION # KEY A
SCALE 2:1

KEY A
SCALE 2:1

KEY A
SCALE 2:1



KEY B
SCALE 2:1

KEY B
SCALE 2:1

KEY B
SCALE 2:1

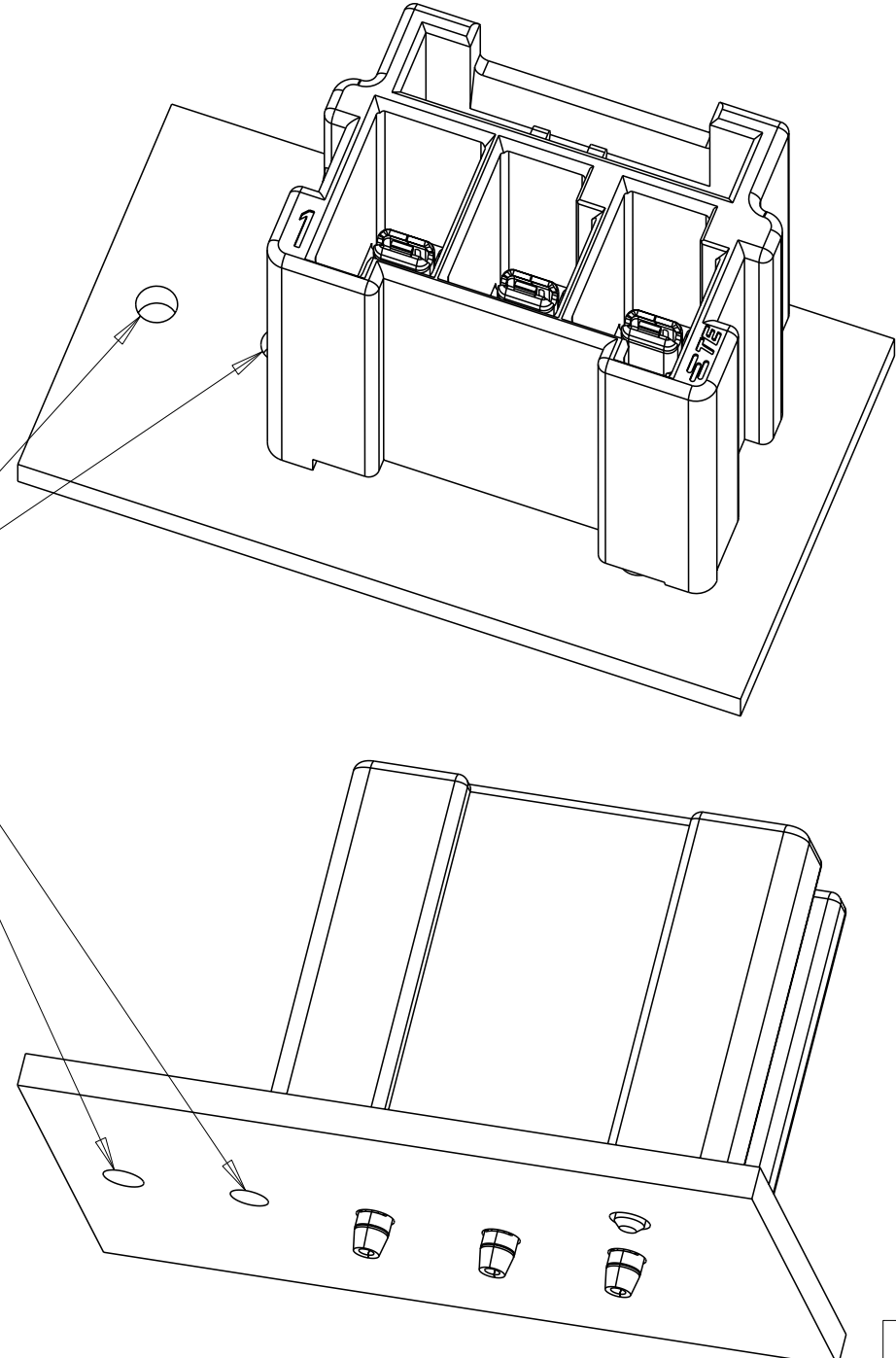
KEY B
SCALE 2:1

| | | | | |
|--|--|-------------------------------|---|--|
| THIS DRAWING IS A CONTROLLED DOCUMENT. | | DWN JR RUTH 05JUN14 | TE Connectivity | |
| DIMENSIONS: mm | | CHK DOMINIC FAROLE 05JUN14 | | |
| TOLERANCES UNLESS OTHERWISE SPECIFIED: | | APVD GENE JACONO 05JUN14 | NAME ASSEMBLY, HEADER, POWER TRIPLE LOCK, PC BOARD | |
| 0 PLC ± | | PRODUCT SPEC 108-32090 | SIZE A2 | |
| 1 PLC ±0.3 | | APPLICATION SPEC 114-32136 | CAGE CODE - | |
| 2 PLC ±0.25 | | WEIGHT - | DRAWING NO C-1969688 | |
| 3 PLC ± | | MATERIAL SEE TABLE | RESTRICTED TO - | |
| 4 PLC ± | | | SCALE 3:1 SHEET 2 OF 3 REV B1 | |
| ANGLES ± | | Customer Drawing | | |
| FINISH PRE-TIN | | | | |

THIS DRAWING IS UNPUBLISHED. RELEASED FOR PUBLICATION
 © COPYRIGHT copyright.d8te ALL RIGHTS RESERVED.

| REVISIONS | | | | |
|-----------|-----|-------------|------|------|
| P | LTR | DESCRIPTION | DATE | APVD |
| - | - | SEE SHEET 1 | - | - |
| | | | | |
| | | | | |

ADDITIONAL HOLES FOR 4 AND 5 POSITION HEADERS. NOT REQUIRED IF ONLY 3 POSITION IS USED.



3 POSITION SHOWN ON PC BOARD, BOARD NOT SUPPLIED (ILLUSTRATION ONLY)

| | | | | | | | | | |
|----------------------------|------------------|------------------|-------------|-------|-------|-------|------------|-----|--------------------------|
| 6-1971773-7 | COPPER ALLOY | NYLON 150°C | 5 | 25.10 | 33.7 | 31.3 | RED | B | 2-1969688-5 |
| 6-1971773-4 | | | 4 | 19.10 | 27.7 | 25.3 | RED | B | 2-1969688-4 |
| 6-1971773-3 | | | 3 | 13.10 | 21.7 | 19.3 | RED | B | 2-1969688-3 |
| 6-1971773-2 | | | 2 | 7.10 | 15.7 | 13.3 | RED | B | 2-1969688-2 |
| 5-1971773-7 | COPPER ALLOY | NYLON 150°C | 5 | 25.10 | 33.7 | 31.3 | LIGHT GREY | A | 1-1969688-5 |
| 5-1971773-4 | | | 4 | 19.10 | 27.7 | 25.3 | LIGHT GREY | A | 1-1969688-4 |
| 5-1971773-3 | | | 3 | 13.10 | 21.7 | 19.3 | LIGHT GREY | A | 1-1969688-3 |
| 9-1971773-2 | | | 2 | 7.10 | 15.7 | 13.3 | LIGHT GREY | A | 1-1969688-2 |
| 1-1971773-7 5-2232265-7 | COPPER ALLOY | PBT GF 105°C | 5 | 25.10 | 33.7 | 31.3 | NATURAL | A | △ ₉ 1969688-5 |
| 1-1971773-4 5-2232265-4 | | | 4 | 19.10 | 27.7 | 25.3 | NATURAL | A | △ ₉ 1969688-4 |
| 1-1971773-3 5-2232265-3 | | | 3 | 13.10 | 21.7 | 19.3 | NATURAL | A | △ ₉ 1969688-3 |
| 1-1971773-2 5-2232265-2 | | | 2 | 7.10 | 15.7 | 13.3 | NATURAL | A | △ ₉ 1969688-2 |
| MATING PLUG | CONTACT MATERIAL | HOUSING MATERIAL | NO. OF POS. | DIM P | DIM L | DIM K | COLOR | KEY | PART NUMBER |

THIS DRAWING IS A CONTROLLED DOCUMENT.

| | | |
|------------------|----------------|---------|
| DWN | JR RUTH | 05JUN14 |
| CHK | DOMINIC FAROLE | 05JUN14 |
| APVD | GENE JACONO | 05JUN14 |
| PRODUCT SPEC | 108-32090 | |
| APPLICATION SPEC | 114-32136 | |
| WEIGHT | - | |

STE TE Connectivity

NAME: ASSEMBLY, HEADER, POWER TRIPLE LOCK, PC BOARD

SIZE: A2 CAGE CODE: - DRAWING NO: C-1969688 RESTRICTED TO: -

SCALE: 3:1 SHEET 3 OF 3 REV B1