

4

3

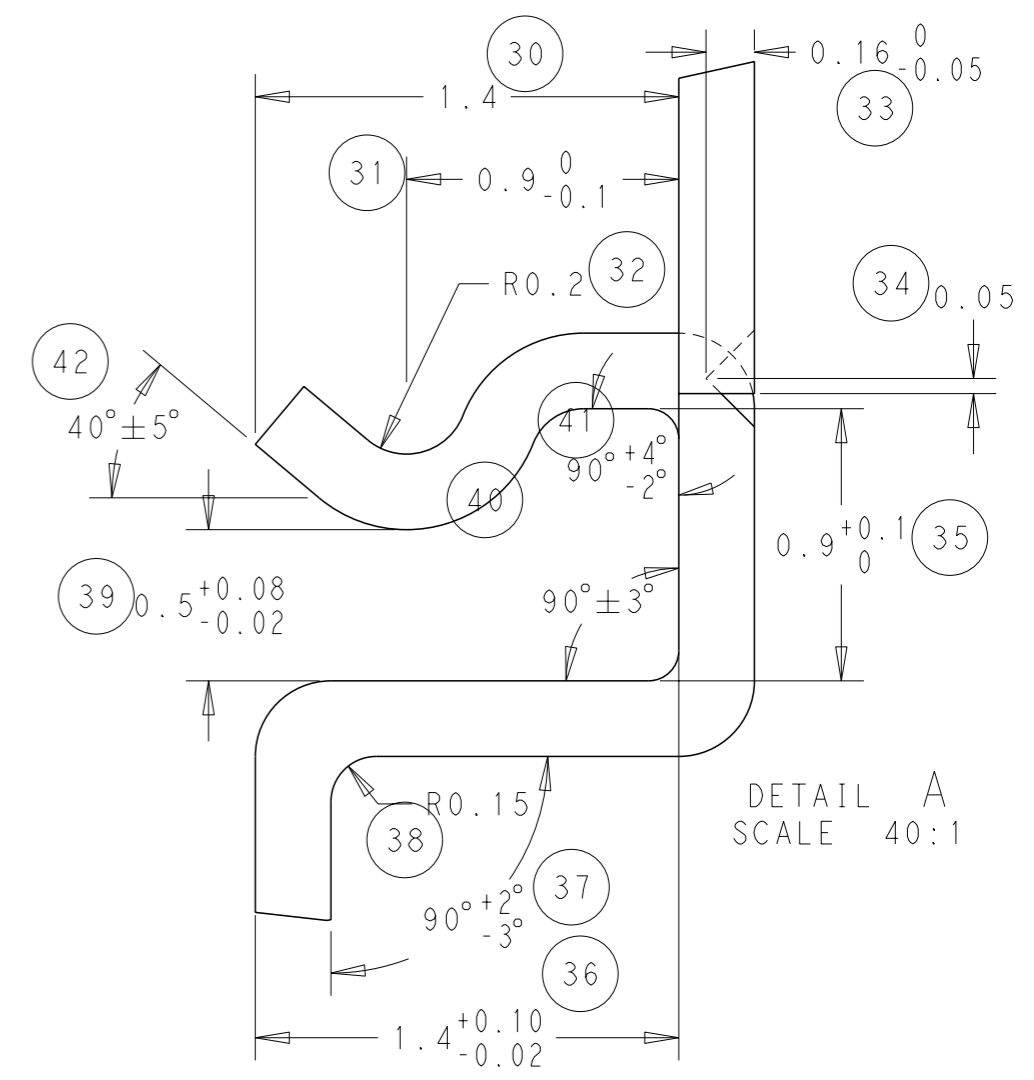
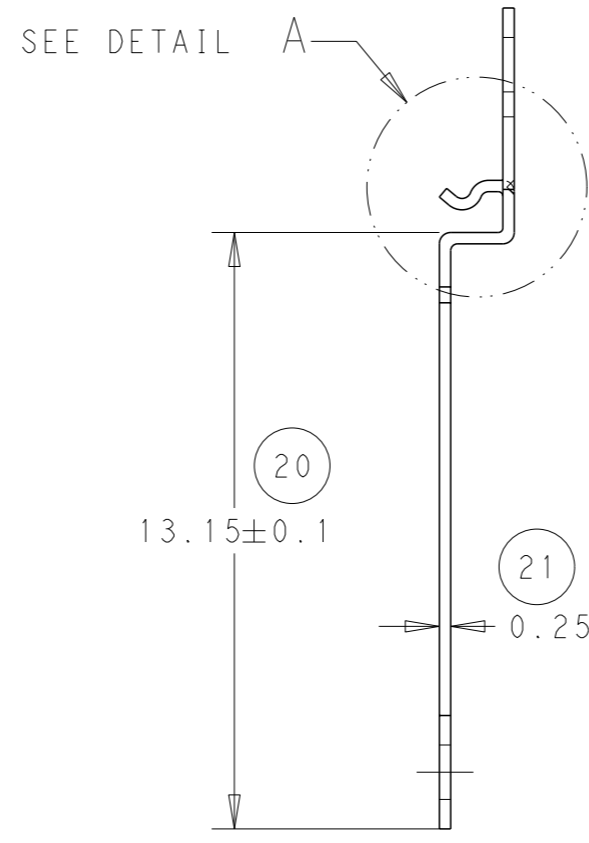
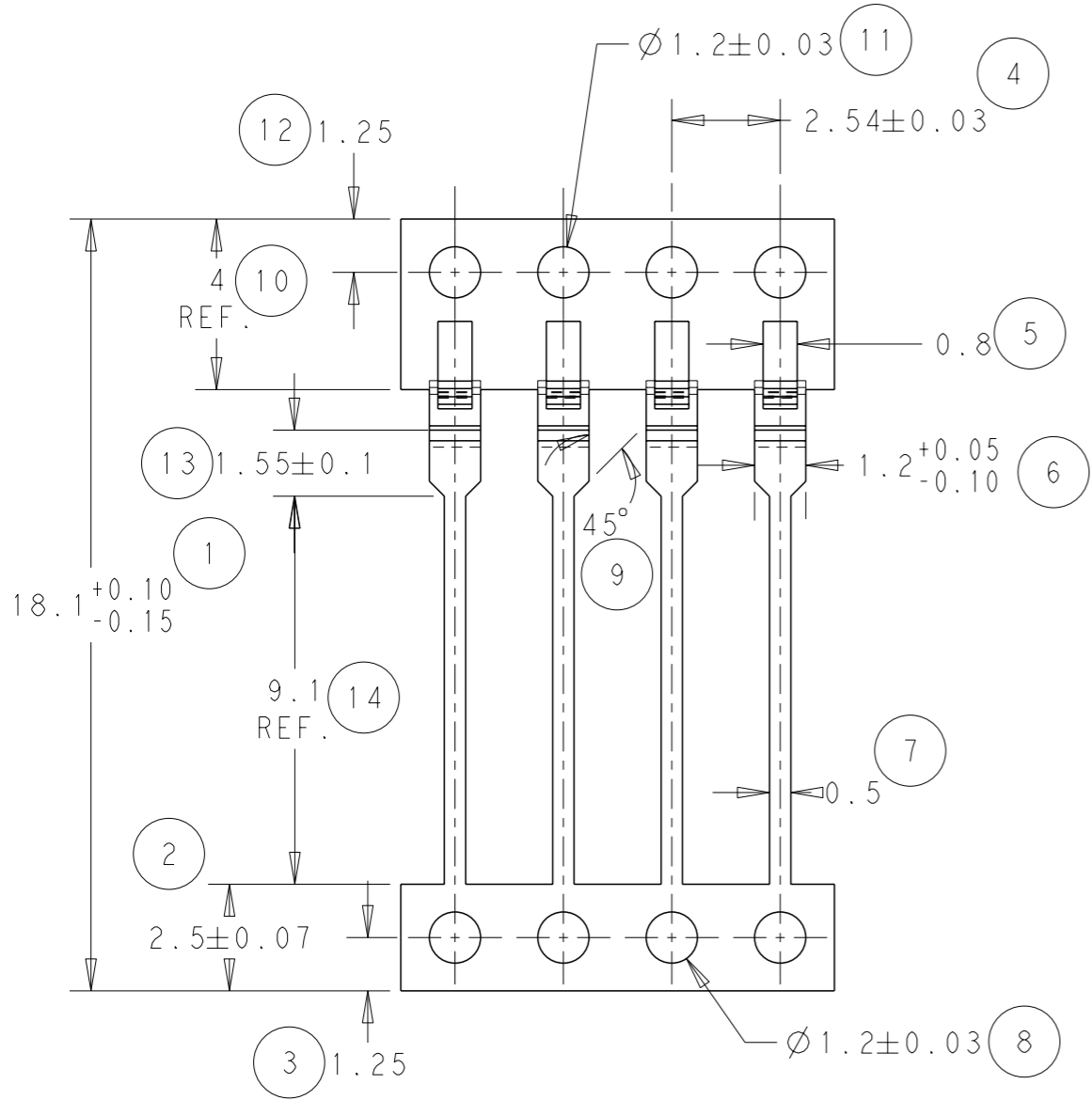
2

1

THIS DRAWING IS UNPUBLISHED. RELEASED FOR PUBLICATION 2011

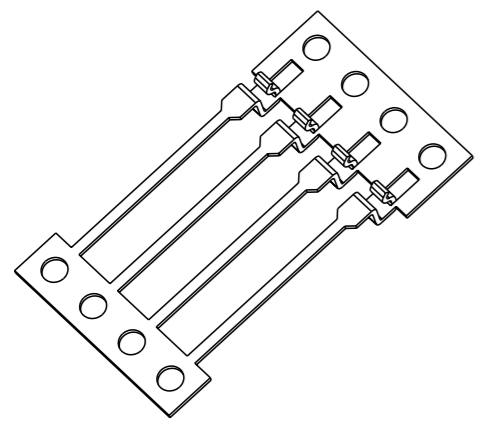
© COPYRIGHT 2011 TE CONNECTIVITY ALL RIGHTS RESERVED.

LOC	DIST	REVISIONS					
		P	LTR	DESCRIPTION	DATE	DWN	APVD
B	-		H	ECR-11-018847	13/09/11	JB	MG

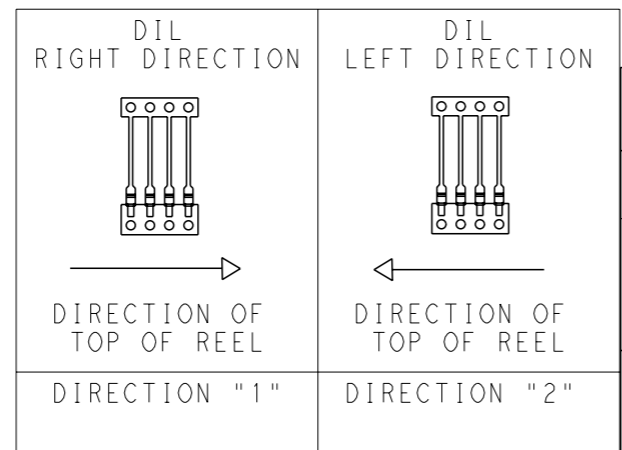


NOTE  
 BOWING: AFTER UPPER TIE BAR REMOVAL- 1.5mm MAX. FOR 500mm  
 PITCH: AFTER UPPER TIE BAR REMOVAL- 2.54±0.127

2	Ni & Sn	1544143-4
2	Sn	1544143-3
1	Ni & Sn	1544143-2
1	Sn	1544143-1
REELING	FINISH	PART NUMBER



SCALE 3:1



THIS DRAWING IS A CONTROLLED DOCUMENT.

DIMENSIONS:	TOLERANCES UNLESS OTHERWISE SPECIFIED:
mm	
	0 PLC ±-
	1 PLC ±-
	2 PLC ±0.05
	3 PLC ±-
	4 PLC ±-
	ANGLES ±0.5
	FINISH -

MATERIAL SEE ABOVE.

DWN	J. BRIGHT	12/09/11
CHK	M. GREENER	12/09/11
APVD	D. PENNINGTON	12/09/11
PRODUCT SPEC	-	-
APPLICATION SPEC	-	-
WEIGHT	-	-

**STE** TE Connectivity

NAME: DIL CONTACT

SIZE	CAGE CODE	DRAWING NO	RESTRICTED TO
A3	00779	C-1544143	-

CUSTOMER DRAWING SCALE NTS SHEET 1 OF 1 REV H