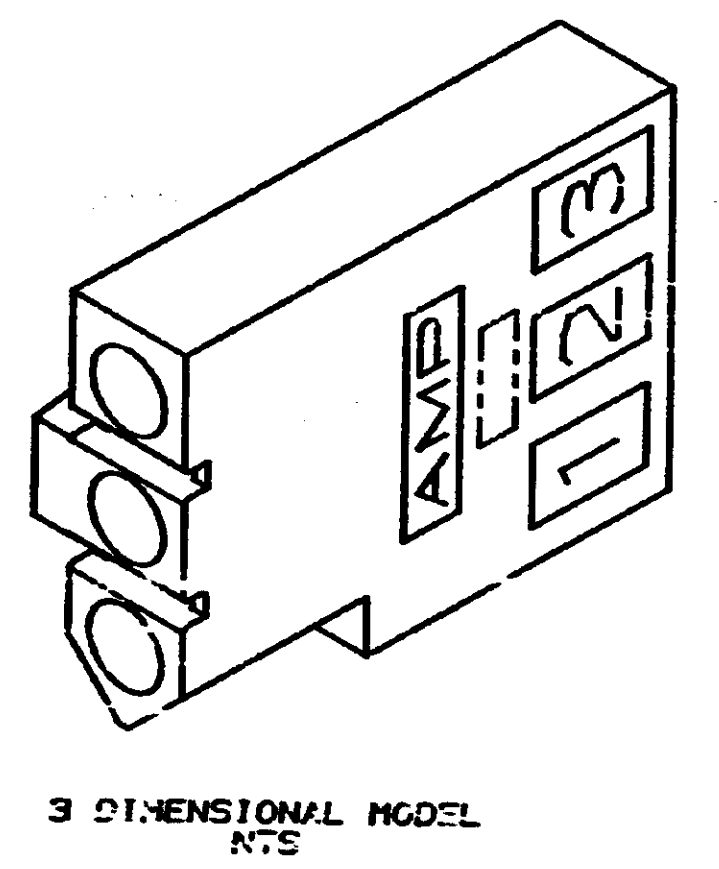
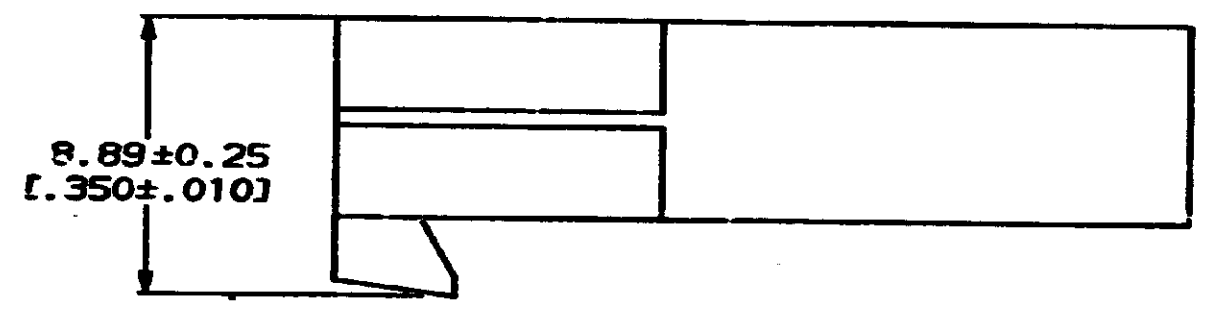
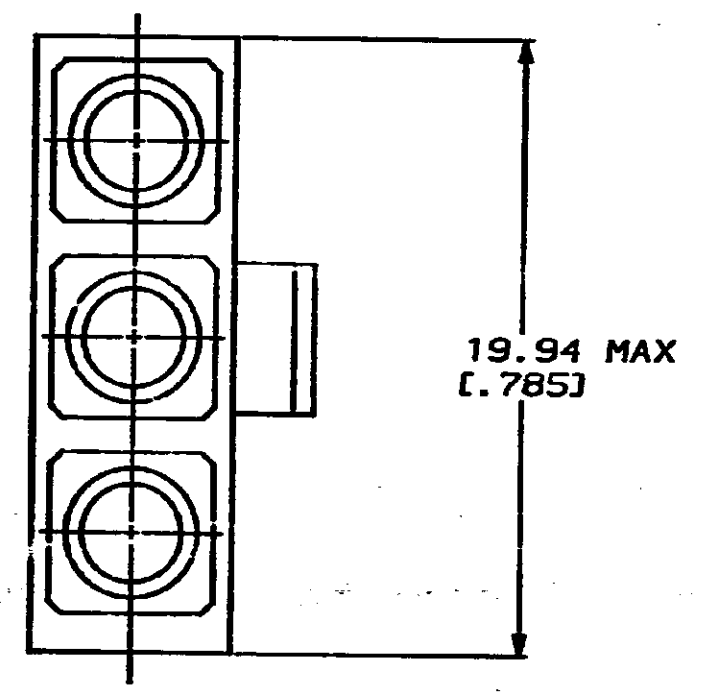
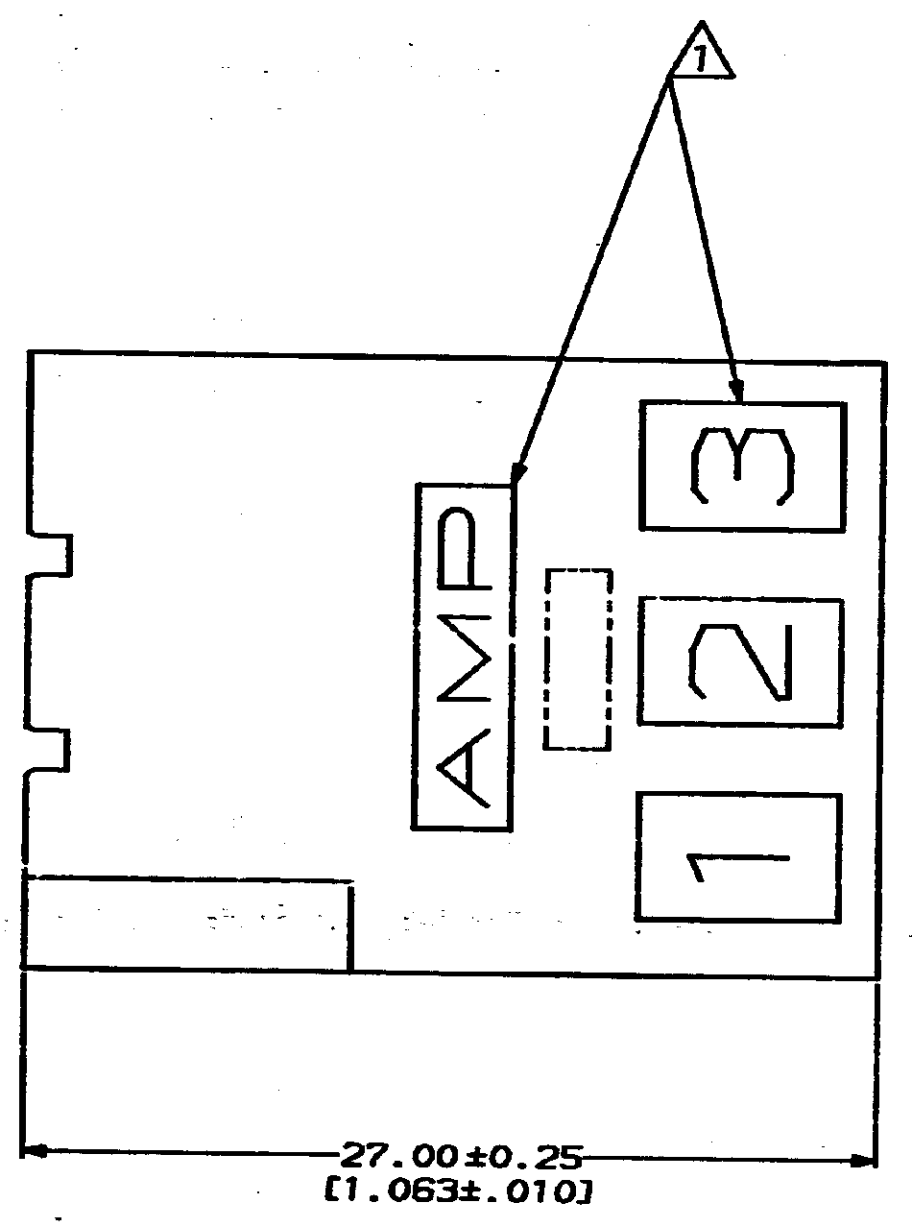
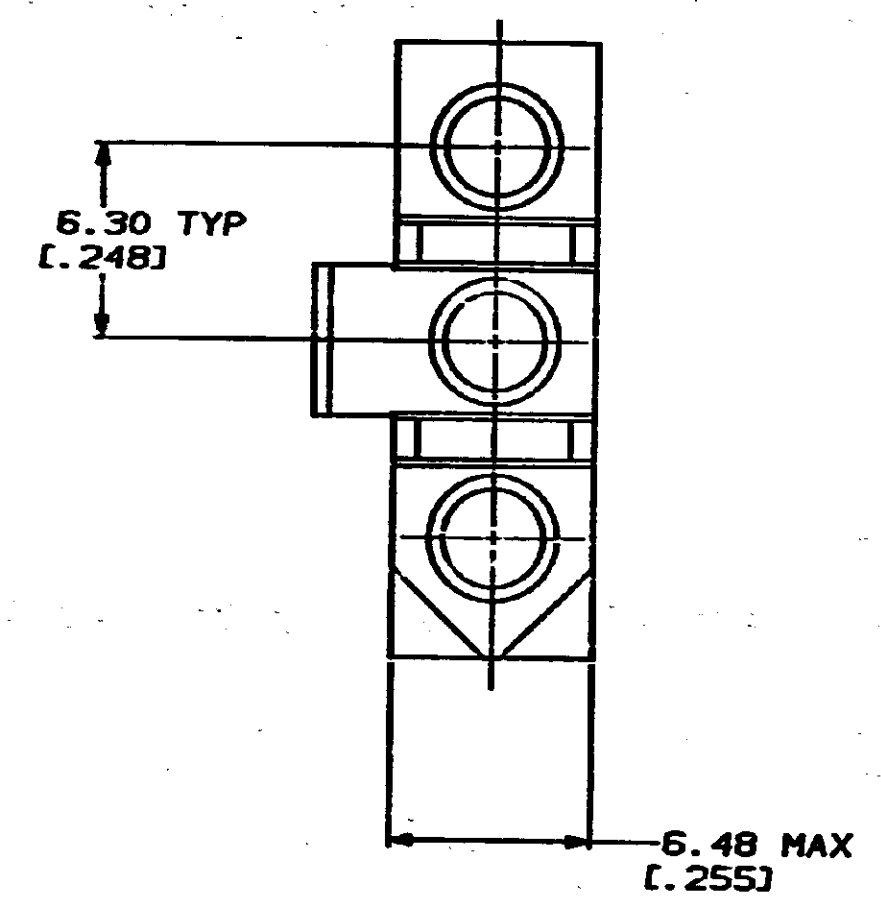


REVISIONS				DATE	APPD
REV	PER	ECN	CH		
D	REV PER	ECN	CH-3673	3-12-90	MS BS



△ AMP LOGO AND CIRCUIT NUMBERS LOCATED IN THIS AREA, EITHER SIDE.
 2. DIMENSIONS IN BRACKETS ARE IN INCHES.

METRIC

DO NOT SCALE PRINT. UNLESS SPECIFIED DIMENSIONS IN INCHES TOLERANCES 2 PLC DEC ± 3 PLC DEC ± 0.12 ± 0.50 ANGLES ± SURF. TEXT NYLON, UL 94V-2 NATURAL		DR E. WHITAKER 11-5-90 CHK R. SILING 11-5-90 APPD R. CARSON 11-6-90 APPD PRODUCT SPEC APPLICATION SPEC WEIGHT	PART NO 770785-1 AMP Incorporated Harrisburg, PA 17105-3608 NAME RECPTACLE, POSITIVE LOCK, 3 CIRCUIT, COMMERCIAL PIN AND SOCKET SIZE D 00779 SCALE 5:1	DRAWING NO 770785 SHEET 1 OF 1
---	--	--	---	---

CUSTOMER DRAWING