

D-SUB bus connector - SUBCON-PLUS M2 - 2761839

Please be informed that the data shown in this PDF Document is generated from our Online Catalog. Please find the complete data in the user's documentation. Our General Terms of Use for Downloads are valid (<http://phoenixcontact.com/download>)




D-SUB connector, 9-pos., male connector, two cable entries < 35°, bus system: CAN, SUCONET K1, K2 (MOELLER), S-BUS (Saia), J-BUS (Merlin Gerin), pin assignment: 2, 3, 4, 5, 7, 9 to two screw connection terminal blocks

Why buy this product

- Separate terminal blocks for each cable
- Easy assembly thanks to knurled screws
- Assembly under field conditions
- High transmission speed
- High level of EMC
- For universal use
- Flexibility in terms of cable entry selection
- Change to the D-SUB orientation through a reversible connection block



Key Commercial Data

Packing unit	1 STK
GTIN	 4 017918 131814
GTIN	4017918131814
Sales Key	07

Technical data

Dimensions

Max. cable diameter	10 mm
Min. cable diameter	6 mm
Width	16 mm
Height	44 mm
Length	60 mm

Ambient conditions

Ambient temperature (operation)	-20 °C ... 75 °C
---------------------------------	------------------

D-SUB bus connector - SUBCON-PLUS M2 - 2761839

Technical data

Ambient conditions

Ambient temperature (storage/transport)	-25 °C ... 80 °C
Altitude	5000 m (For restrictions see manufacturer's declaration)
Degree of protection	IP20

General

Nominal voltage U_N	50 V
Nominal current I_N	100 mA
Bus system	CAN, SOCUNET K1, K2 (Moeller), S-BUS (Saia), J-BUS (Merlin Gerin)
Signal	RS-485
Insertion/withdrawal cycles	> 200
SUBCON fixing screws	4-40 UNC
Tightening torque	0.4 Nm
Housing material	ABS, metal-plated
Pin assignment	2,3,4,5,7,9 on two terminal blocks
MTTF	6706 Years (SN 29500 standard, temperature 25 °C, operating cycle 21 % (5 days a week, 8 hours a day))
	1817 Years (SN 29500 standard, temperature 40 °C, operating cycle 34.25 % (5 days a week, 12 hours a day))
	155 Years (SN 29500 standard, temperature 40 °C, operating cycle 100 % (7 days a week, 24 hours a day))

Connection data

Connection	D-SUB connection
Number of positions	9
Connection method	D-SUB connector
Tightening torque	0.4 Nm
Connection	PCB connection
Connection method	Screw connection
Conductor cross section flexible min.	0.14 mm ²
Conductor cross section flexible max.	1 mm ²
Conductor cross section solid min.	0.14 mm ²
Conductor cross section solid max.	1.5 mm ²
Min. AWG conductor cross section, flexible	26
Max. AWG conductor cross section, flexible	18
Conductor cross section AWG min.	26
Conductor cross section AWG max.	16
Stripping length	5 mm
Tightening torque	0.4 Nm

Standards and Regulations

Free from substances that could impair the application of coating	according to P-VW 3.10.7 57 65 0 VW-AUDI-Seat central standard
Connection in acc. with standard	CUL
ATEX	# II 3 G Ex nA IIC T4 Gc X

D-SUB bus connector - SUBCON-PLUS M2 - 2761839

Technical data

Standards and Regulations

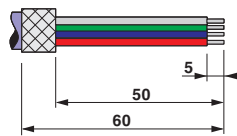
Noxious gas test	ISA-S71.04-1985 G3 Harsh Group A
------------------	----------------------------------

Environmental Product Compliance

REACH SVHC	Lead 7439-92-1
China RoHS	Environmentally Friendly Use Period = 50
	For details about hazardous substances go to tab "Downloads", Category "Manufacturer's declaration"

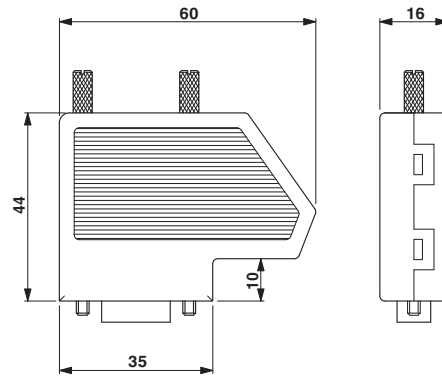
Drawings

Schematic diagram



Stripping specifications

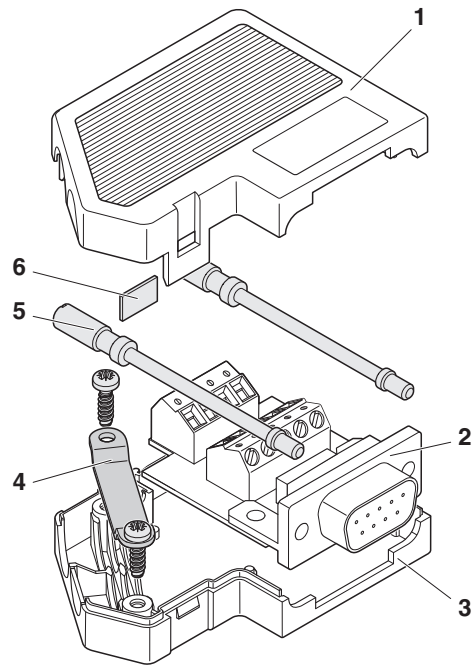
Dimensional drawing



Dimensional drawing SUBCON-PLUS...

D-SUB bus connector - SUBCON-PLUS M2 - 2761839

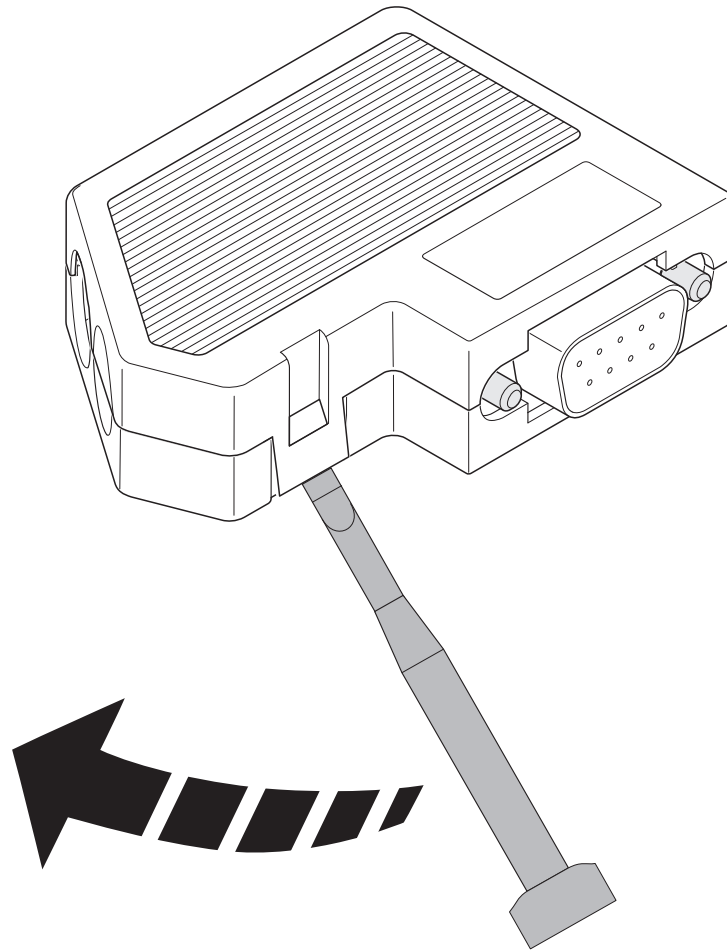
Schematic diagram



Function elements

D-SUB bus connector - SUBCON-PLUS M2 - 2761839

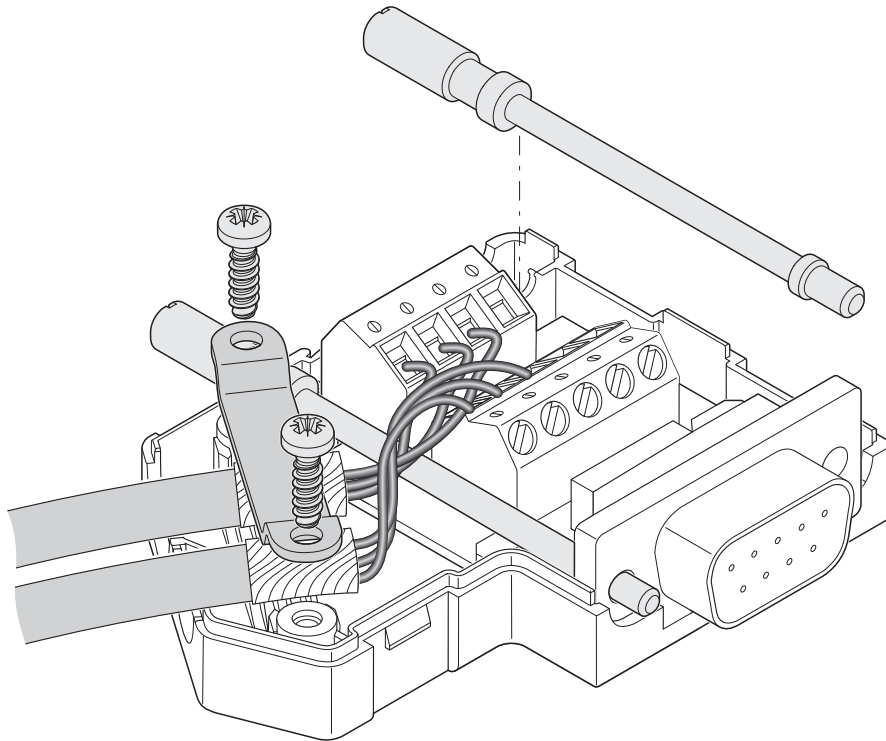
Schematic diagram



Opening the housing

D-SUB bus connector - SUBCON-PLUS M2 - 2761839

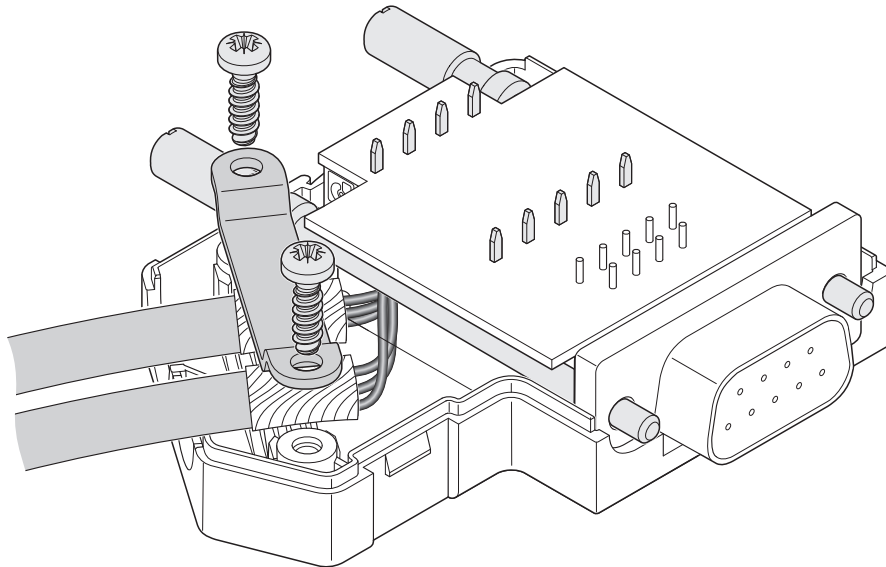
Schematic diagram



Left-hand side cable entry

D-SUB bus connector - SUBCON-PLUS M2 - 2761839

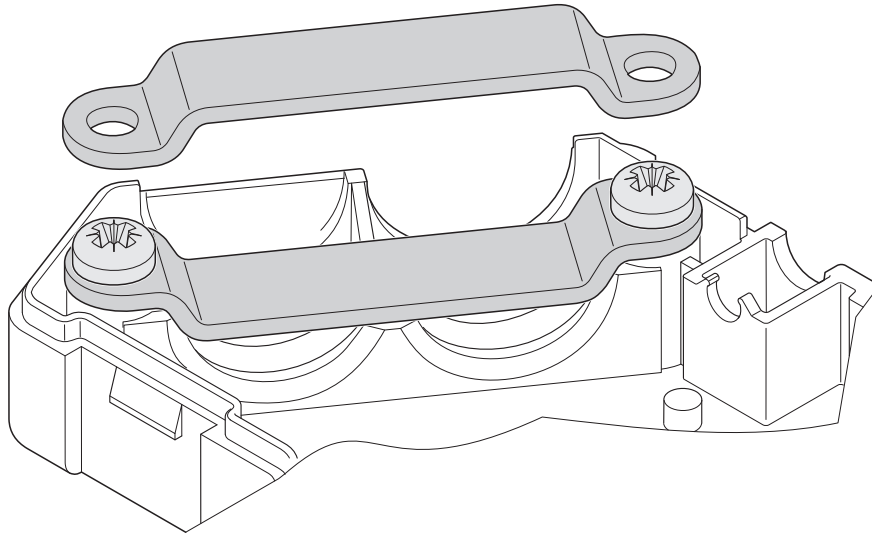
Schematic diagram



Right-hand side cable entry

D-SUB bus connector - SUBCON-PLUS M2 - 2761839

Schematic diagram



Clip bracket

Approvals

Approvals

Approvals

UL Recognized / cUL Recognized / EAC / cULus Recognized

Ex Approvals

ATEX / ATEX


Approval details


UL Recognized		http://database.ul.com/cgi-bin/XYV/template/LISEXT/1FRAME/index.htm	FILE E 238705
cUL Recognized		http://database.ul.com/cgi-bin/XYV/template/LISEXT/1FRAME/index.htm	FILE E 238705



D-SUB bus connector - SUBCON-PLUS M2 - 2761839

Approvals

EAC		EAC-Zulassung
-----	---	---------------

cULus Recognized		http://database.ul.com/cgi-bin/XYV/template/LISEXT/1FRAME/index.htm
------------------	---	---

Phoenix Contact 2018 © - all rights reserved
<http://www.phoenixcontact.com>

PHOENIX CONTACT GmbH & Co. KG
Flachsmarktstr. 8
32825 Blomberg
Germany
Tel. +49 5235 300
Fax +49 5235 3 41200
<http://www.phoenixcontact.com>