

92mm sq.

San Ace 92WF



General Specifications

- Material Frame: Plastics (Flammability: UL94V-0), Impeller: Plastics (Flammability: UL94V-0)
- Expected Life Refer to specifications (L10:Survival rate: 90% at 60°C , rated voltage, and continuously run in a free air state)
- Lead Wire ⊕red ⊖black (Sensor) yellow
- Storage Temperature -30°C to +70°C (Non-condensing)

The product can be used in an oil mist environment*

*Environment where machining oil mist is scattered.
Usage of this product requires an evaluation with the oil that will be used.

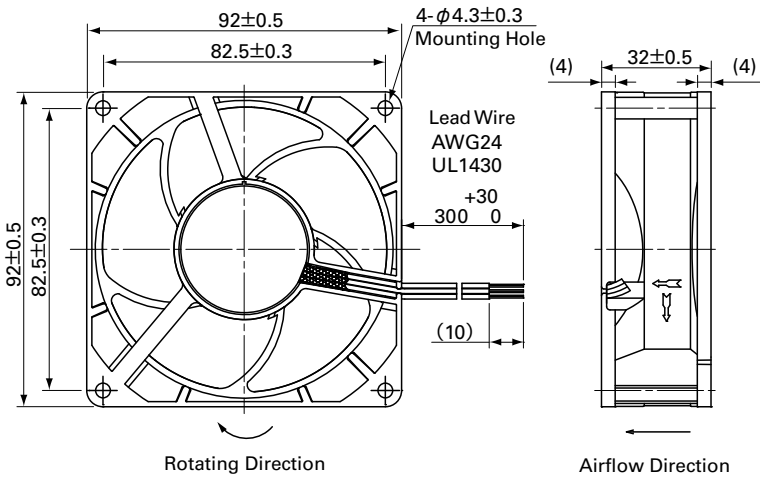
92×92×32mm [Mass : 185g] **9WF** type

Specifications The following nos. **have pulse sensors and ribs.** For ribless, append "1" to the model no.

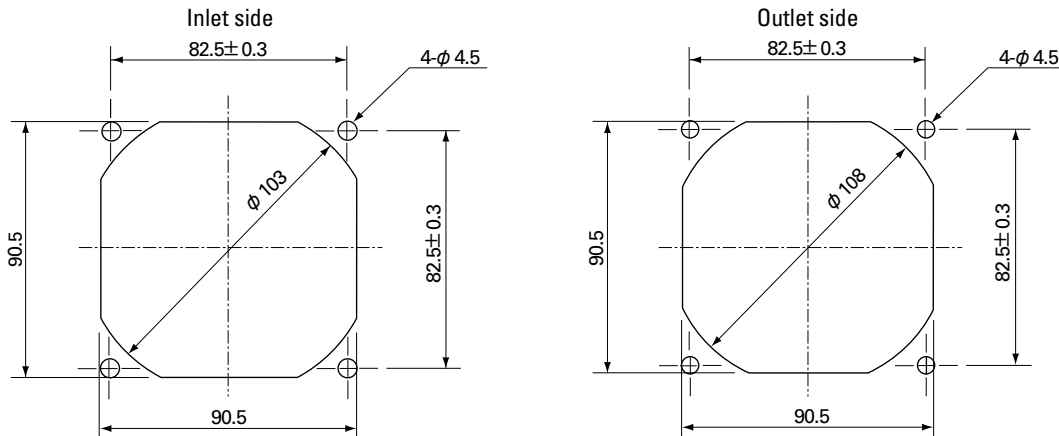
Model No.	Rated Voltage [V]	Operating Voltage Range [V]	Rated Current [A]	Rated Input [W]	Rated Speed [min ⁻¹]	Max. Airflow [m ³ /min] [CFM]	Max. Static Pressure [Pa] [inchH ₂ O]	SPL [dB(A)]	Operating Temperature [°C]	Expected Life [h]
9WF0924S201	24	20.4 to 27.6	0.5	12	7,300	2.8 98.9	255 1.02	58	-20 to +70	40,000/60°C
9WF0924H201			0.35	8.4	6,500	2.45 86.5	200 0.8	56		

Other sensor specifications are available as options. Please refer to the index (p. 511).

Dimensions (unit: mm)



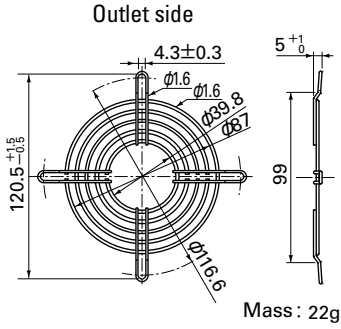
Reference Dimensions of Mounting Holes and Vent Opening (unit: mm)



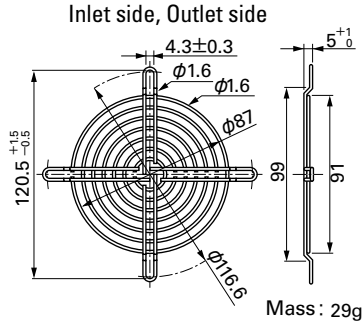
Options (unit: mm)

Finger Guards

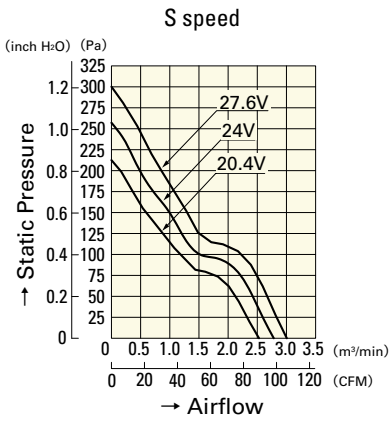
Model : 109-099C Surface treatment : Nickel-chrome plating (silver) Color



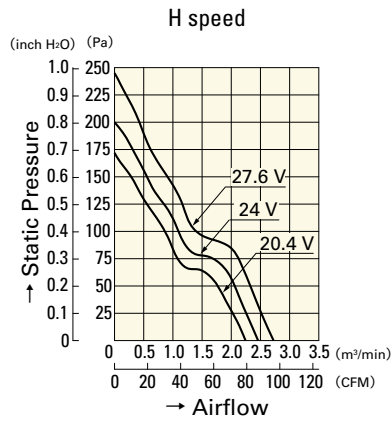
Model : 109-099E Surface treatment : Nickel-chrome plating (silver) Color
: 109-099H : Cation electropainting (black)



Airflow - Static Pressure Characteristics



9WF0924S201



9WF0924H201

DC

Oil Proof Fan 92mm