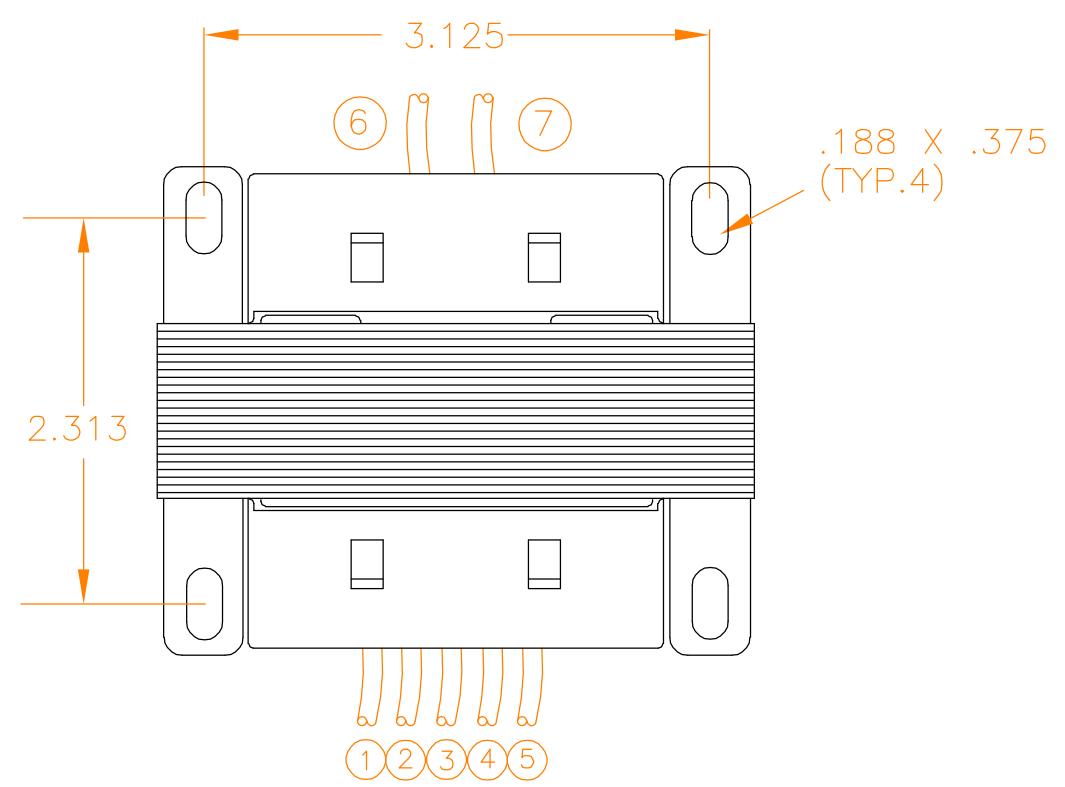
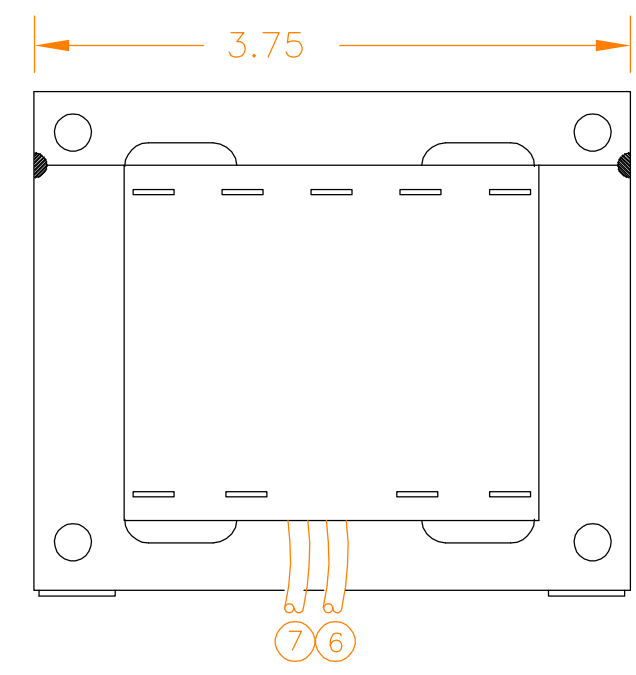
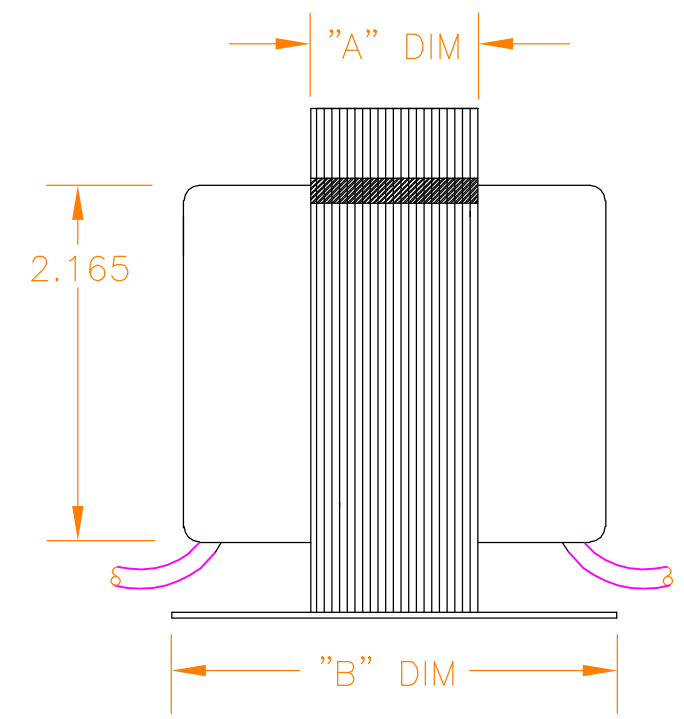
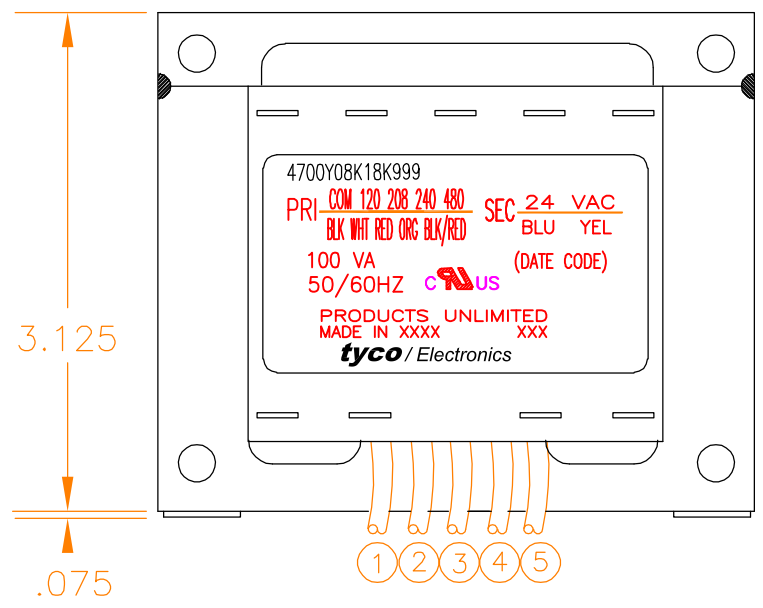


THIS DRAWING IS UNPUBLISHED. RELEASED FOR PUBLICATION
 © COPYRIGHT BY TYCO ELECTRONICS CORPORATION. ALL RIGHTS RESERVED.

LOC	DIST	REVISIONS					
GZ	00	P	LTR	DESCRIPTION	DATE	DWN	APVD
		B		ECR-05-012820	13OCT05	KH	HT

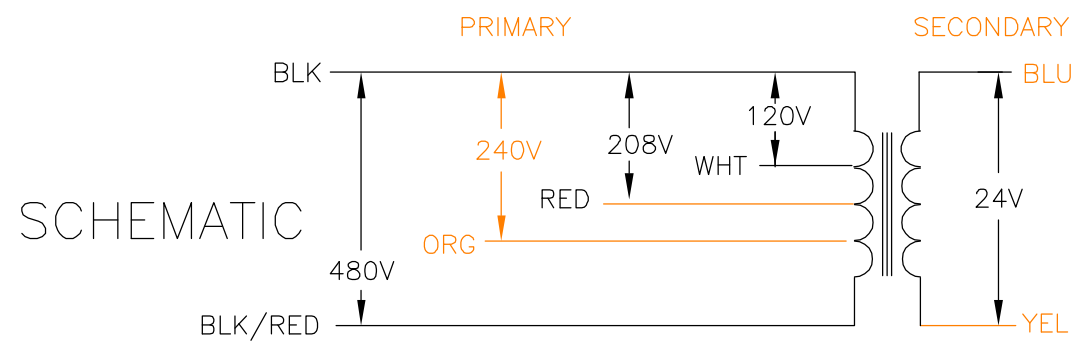


ALL LEADS 18AWG-UNLESS OTHERWISE SPECIFIED						NOTES			CERTIFICATION: UL/CUL FILE NO. E102980			
PRIMARY						1. DIMENSIONS FOR REFERENCE ONLY.			SECONDARY			
2. ALL LEADS +1"/-0" TOL.						LEAD NO.			6 7 8 9			
3. STRIP TOL. ±1/32						VOLTAGE			24 VAC			
4. WINDING PROTECTION-NONE						COLOR			BLU YEL			
LEAD NO.	1	2	3	4	5	LENGTH			12.0 12.0			
VOLTAGE	COM	120	208	240	480	STRIP LENGTH			.50 .50			
COLOR	BLK	WHT	RED	ORG	BLK/RED							
LENGTH	12.0	12.0	12.0	12.0	12.0							
STRIP LENGTH	.50	.50	.50	.50	.50							



4700Y08K18K999
 PRI COM 120 208 240 480 SEC 24 VAC
 BLK WHT RED ORG BLK/RED BLU YEL
 100 VA (DATE CODE)
 50/60HZ cUL US
 PRODUCTS UNLIMITED
 MADE IN XXXX XXX
 tyco Electronics

TYCO PART NUMBER
 3-1611475-0



THIS DRAWING IS A CONTROLLED DOCUMENT.		DWN	K.H.	13OCT05		Tyco Electronics Corporation Harrisburg, PA 17105-3608		
DIMENSIONS: INCHES		CHK	DH	17JUN03		NAME TRANSFORMER OUTLINE		
TOLERANCES UNLESS OTHERWISE SPECIFIED:		APVD	HT	17JUN03	PRODUCT SPEC			
0 PLC ± -		APPLICATION SPEC			SIZE			
1 PLC ± -		WEIGHT			CAGE CODE			
2 PLC ± .010		CUSTOMER DRAWING			DRAWING NO			
3 PLC ± .005		SCALE			SHEET			
4 PLC ± -		RESTRICTED TO			REV			
ANGLES ± -		A3			00779			
FINISH		G-			4700Y08K18K999			
MATERIAL		SCALE			SHEET			
		1:1			1 OF 1			
		REV			B			