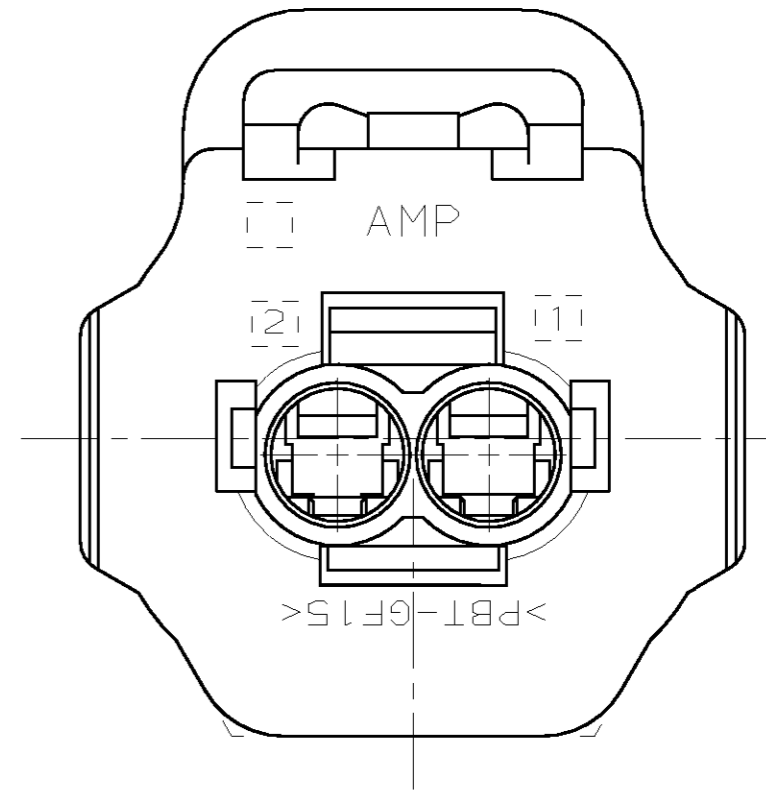
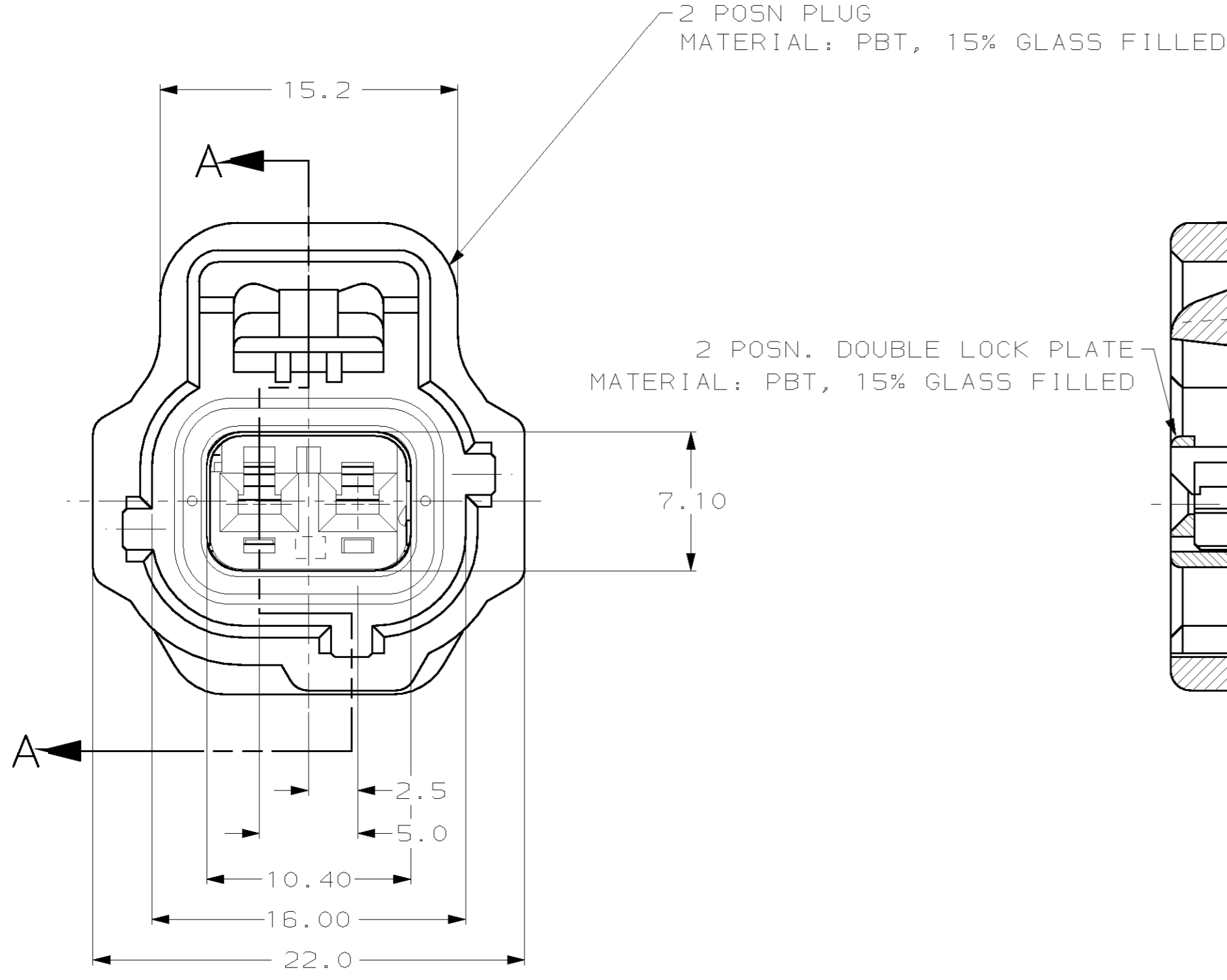


THIS DRAWING IS UNPUBLISHED. RELEASED FOR PUBLICATION .19
 BY AMP INCORPORATED. ALL RIGHTS RESERVED.

LOC G DIST 16

REVISIONS					
P	LTR	DESCRIPTION	DATE	DWN	APVD
0		RELEASED, WAS 92-4072-2313-6	-	-	-
A		REV PER ECN 0720-0290-94	10/14/94	KDL	JPK
B		REV PER ECN 0720-0446-94	12/16/94	KW	JK
C		REV PER ECN 0K50-0003-96	08/13/96	KW	JK
D		REV PER EC# 0K40-0140-00	6-28-00	PC	GI



SECTION A-A

KEYING TYPE F

THIS DRAWING IS A CONTROLLED DOCUMENT FOR AMP INCORPORATED. IT IS SUBJECT TO CHANGE AND THE CONTROLLING ENGINEERING ORGANIZATION SHOULD BE CONTACTED FOR THE LATEST REVISION.		DWN	KD LYTLE	3/25/94
DIMENSIONS:		CHK	JP KUNKLE	4/19/94
mm	TOLERANCES UNLESS OTHERWISE SPECIFIED:	APVD	-	-
	0 PLC	±	-	PRODUCT SPEC
	1 PLC	±0.30	-	-
	2 PLC	±0.15	-	APPLICATION SPEC
	3 PLC	±	-	-
	4 PLC	±	-	-
MATERIAL	FINISH	±1°	-	WEIGHT
-	-	-	-	CUSTOMER DRAWING

BLACK	184010-1
PLUG COLOR	PART NO
AMP	AMP Incorporated Harrisburg, PA 17105-3608
1 X 2 PLG ASY KEY F-C3	
SIZE	CAGE CODE
A2	00779
DRAWING NO	C=184010
SCALE	SHEET
4:1	1 OF 1
REV	D

184010

A