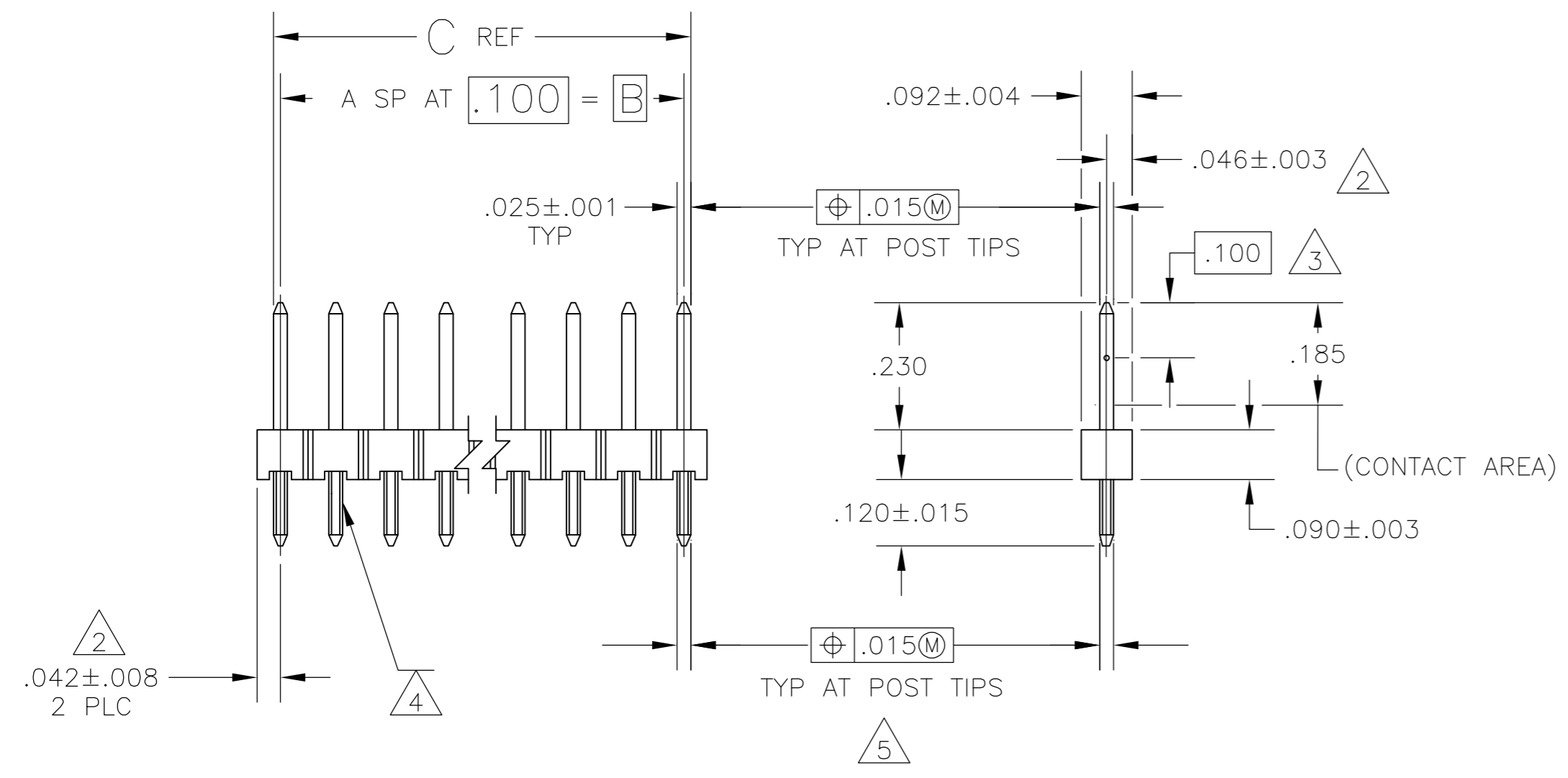
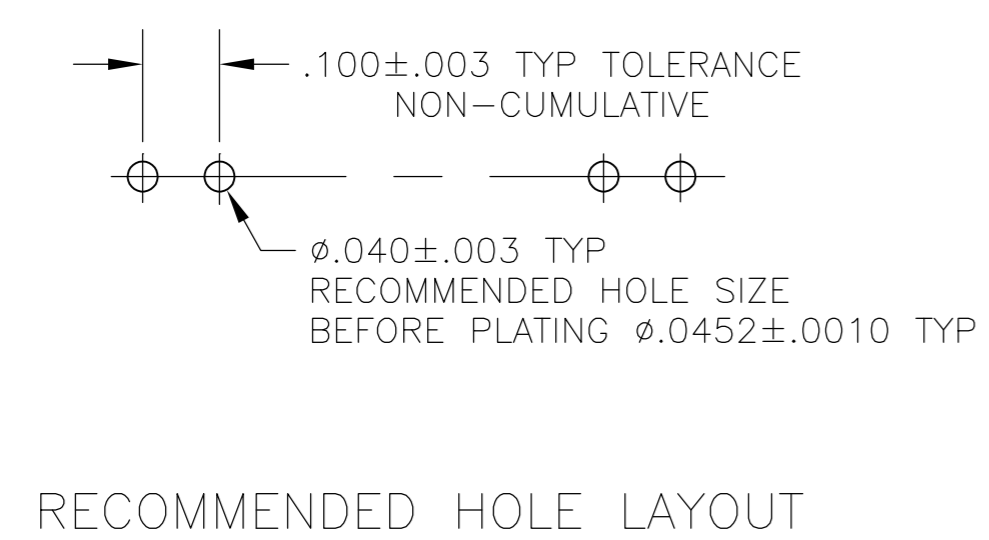


THIS DRAWING IS UNPUBLISHED. RELEASED FOR PUBLICATION
 © COPYRIGHT - By - ALL RIGHTS RESERVED.

LOC		DIST		REVISIONS				
P	LTR	DESCRIPTION			DATE	DWN	APVD	
	J2	REVISED PER ECO-11-004820			11MAR11	RK	HMR	



- TRUE POSITION TOLERANCE OF THE POST TIPS APPLIES WHEN THE HEADERS ARE HELD FLAT AGAINST THE PRINTED CIRCUIT BOARD.
- THE NOTED DIMENSIONS APPLY AT THE INTERSECTION OF THE POST AND THE HOUSING.
- POINT OF MEASUREMENT FOR PLATING THICKNESS.
- RETENTION FEATURES ON SOLDER TAILS, LOCATED AT MANUFACTURERS OPTION.
- $\phi .020M$ FOR KINKED TAILS.
- OBsolete PARTS: OBsolete CIS STREAMLINING PER D.RENAUD/D.SINISI



	C	B	A	NO OF POSN	ASSEMBLY PART NUMBER
OBsolete (triangle 6)	3.984	3.900	39	40	2-104345-7
	3.484	3.400	34	35	2-104345-6
	2.984	2.900	29	30	2-104345-5
	2.584	2.500	25	26	2-104345-4
	2.484	2.400	24	25	2-104345-3
	2.384	2.300	23	24	2-104345-2
	2.284	2.200	22	23	2-104345-1
	2.184	2.100	21	22	2-104345-0
	2.084	2.000	20	21	1-104345-9
	1.984	1.900	19	20	1-104345-8
OBsolete (triangle 6)	1.884	1.800	18	19	1-104345-7
	1.784	1.700	17	18	1-104345-6
	1.684	1.600	16	17	1-104345-5
	1.584	1.500	15	16	1-104345-4
	1.484	1.400	14	15	1-104345-3
	1.384	1.300	13	14	1-104345-2
	1.284	1.200	12	13	1-104345-1
	1.184	1.100	11	12	1-104345-0
	1.084	1.000	10	11	104345-9
	.984	.900	9	10	104345-8
OBsolete (triangle 6)	.884	.800	8	9	104345-7
	.784	.700	7	8	104345-6
	.684	.600	6	7	104345-5
	.584	.500	5	6	104345-4
	.484	.400	4	5	104345-3
	.384	.300	3	4	104345-2
	.284	.200	2	3	104345-1
	C	B	A	NO OF POSN	ASSEMBLY PART NUMBER

THIS DRAWING IS A CONTROLLED DOCUMENT.		DWN H MOLL	08FEB88	STE TE Connectivity																			
DIMENSIONS: INCHES		CHK R. FEIDT	08FEB88																				
TOLERANCES UNLESS OTHERWISE SPECIFIED:		APVD R. FEIDT	08FEB88	NAME HEADER ASSY, MOD II, BREAKAWAY, SINGLE ROW, .100 CL, VERT, .025 SQ POSTS, WITH RETENTION FEATURE																			
<table border="0"> <tr><td>0 PLC</td><td>±</td><td>-</td></tr> <tr><td>1 PLC</td><td>±</td><td>-</td></tr> <tr><td>2 PLC</td><td>±</td><td>-</td></tr> <tr><td>3 PLC</td><td>±</td><td>.005</td></tr> <tr><td>4 PLC</td><td>±</td><td>-</td></tr> <tr><td>ANGLES</td><td>±</td><td>-</td></tr> </table>		0 PLC	±	-	1 PLC	±	-	2 PLC	±	-	3 PLC	±	.005	4 PLC	±	-	ANGLES	±	-	PRODUCT SPEC	-	SIZE	A2
0 PLC	±	-																					
1 PLC	±	-																					
2 PLC	±	-																					
3 PLC	±	.005																					
4 PLC	±	-																					
ANGLES	±	-																					
MATERIAL HOUSING: FLAME RETARDANT THERMOPLASTIC COLOR-BLACK POST: PHOSPHOR BRONZE		FINISH - POST: .000015 GOLD IN CONTACT AREA, .000100-.000200 MATTE TIN-LEAD ON SOLDER TAIL, ALL OVER .000050 NICKEL	APPLICATION SPEC	-	CAGE CODE	00779																	
		WEIGHT	-	DRAWING NO	C=104345																		
		CUSTOMER DRAWING		RESTRICTED TO	-																		
		SCALE	4:1	SHEET	1 of 1																		
				REV	J2																		