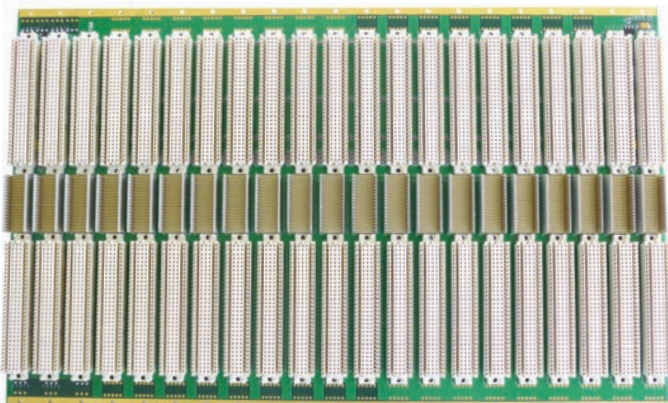


**VME64x 160-pin**



VME64E21P01 Front View

**VME J1/J2 & VME64x J1/J2/P0,  
Monolithic 6U Backplanes, 2 to 21-Slot**

Vectorbord® VME & VME64x backplanes per  
ANSI/VITA 1-1994 (R2002) and ANSI/VITA 1.1-1997

Vector VME and VME64x monolithic backplanes are fully RoHS compliant and perform to ANSI/VITA 1.7-2003 (R2009). Increased current level for VME (96 pin) & VME64x (160 pin) DIN / IEC connectors. Both Vector VME and VME64x backplanes are 6U (10.317") are an easy replacement or addition to any 6U rack system. PCB thickness 0.160" eliminates need for backplane stiffener.

**General Backplane Specification for VME and VME64x**

- Slot Count : 2-21 slot options
- Size : "True" 6U, 10.317" X 0.160" thick
- 10-layer FR-4 construction, UL94V-0, RoHS compliant
- Greater than 64MHz high speed design
- Signal lines shielded, low crosstalk and controlled impedance
- EMI shielding
- OR-logic electronic daisy-chaining\* (EBG) with on-board passive termination. All termination and EBG components are surface mounted (SMT)
- Screw terminal (power bug) and Faston input power connections
- Conformal coating available
- Fully assembled and tested

**Connectors:**

**96-PIN, 3-ROW (VME)**

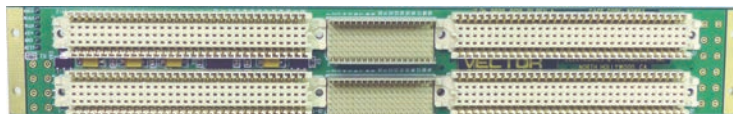
The IEC 60603-2 standard defines the level 2 performance requirements and test sequences for the 3 row DIN connectors. All VME and VME64x systems require a minimum of level 2 performances. Vector uses Harting Type C, 96-pin, press-fit, thermoplastic with nickel plated copper alloy contacts tested to IEC 60512-3

**160-PIN, 5-ROW (VME64x)**

The IEC 61076-4-113 standard defines the level 2 performance requirements and test sequences for the 5 row DIN connector. All VME64x systems require a minimum of level 2 performance. Vector uses Harting Har-bus 160-pin, VME64x connectors manufactured to IEC 60512-3.

**133-PIN, Type B, 19-ROW, 2mm HM (VME64x P0 only)**

The IEC 61076-4-101 defines the level 2 performance requirements and test sequences for this 19-row, 2mm x 2mm pitch connector. All VME64x systems require a minimum of level 2 performance. Vector uses ERNI P0 connectors.

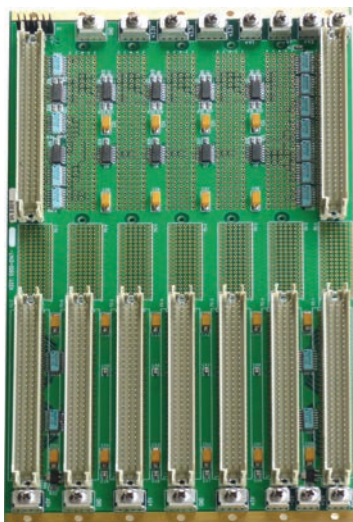


VME64E02P01

Backplanes

**Technical Information :**

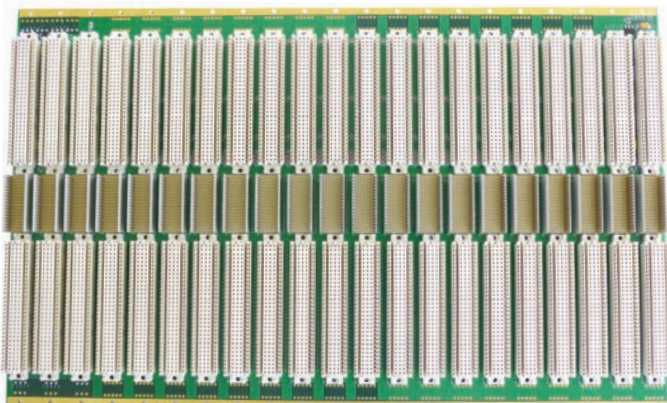
Ohm Resistance of signal lines	<1.5 ohm
Basic Power consumption (both ends terminated)	1.6 A
Current loading per power bug	25A
Current loading for Faston	10A
Current loading per each slot	3.3V 12.5A (VME64x only)
	5V 9.0A
	+12V 1.5A
	-12V 1.5A
	+5V Standby 1.5A
	+V1 (38-75V)48V Nom. 3.0A
	-V1 (38-75V)48V Nom. 3.0A
MTBF	Fully populated VME64x with J0, 200,000 hours, Ground @ +40°C
Operating Temperature Range	-40°C to +85°C
Relative Humidity	90%, non-condensing
Weight	2-slot = 0.53 lbs; 3-slot = 0.6 lbs (add 0.11 per slot over 3 slots)



VMEBP07P00  
Rear View



### VME64x 160-pin



VME64E21P01 Front View

### VME J1/J2 & VME64x J1/J2/P0, Monolithic 6U Backplanes, 2 to 21-Slot

Vectorbord® VME & VME64x backplanes per  
ANSI/VITA 1-1994 (R2002) and ANSI/VITA 1.1-1997

Vector VME and VME64x monolithic backplanes are fully RoHS compliant and perform to ANSI/VITA 1.7-2003 (R2009). Increased current level for VME (96 pin) & VME64x (160 pin) DIN / IEC connectors. Both Vector VME and VME64x backplanes are 6U (10.317") are an easy replacement or addition to any 6U rack system. PCB thickness 0.160" eliminates need for backplane stiffener.

#### General Backplane Specification for VME and VME64x

- Slot Count : 2-21 slot options
- Size : "True" 6U, 10.317" X 0.160" thick
- 10-layer FR-4 construction, UL94V-0, RoHS compliant
- Greater than 64MHz high speed design
- Signal lines shielded, low crosstalk and controlled impedance
- EMI shielding
- OR-logic electronic daisy-chaining\* (EBG) with on-board passive termination. All termination and EBG components are surface mounted (SMT)
- Screw terminal (power bug) and Faston input power connections
- Conformal coating available
- Fully assembled and tested

#### Connectors:

##### 96-PIN, 3-ROW (VME)

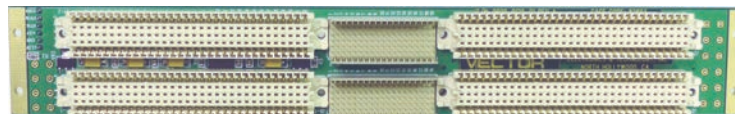
The IEC 60603-2 standard defines the level 2 performance requirements and test sequences for the 3 row DIN connectors. All VME and VME64x systems require a minimum of level 2 performances. Vector uses Harting Type C, 96-pin, press-fit, thermoplastic with nickel plated copper alloy contacts tested to IEC 60512-3

##### 160-PIN, 5-ROW (VME64x)

The IEC 61076-4-113 standard defines the level 2 performance requirements and test sequences for the 5 row DIN connector. All VME64x systems require a minimum of level 2 performance. Vector uses Harting Har-bus 160-pin, VME64x connectors manufactured to IEC 60512-3.

##### 133-PIN, Type B, 19-ROW, 2mm HM (VME64x P0 only)

The IEC 61076-4-101 defines the level 2 performance requirements and test sequences for this 19-row, 2mm x 2mm pitch connector. All VME64x systems require a minimum of level 2 performance. Vector uses ERNI P0 connectors.

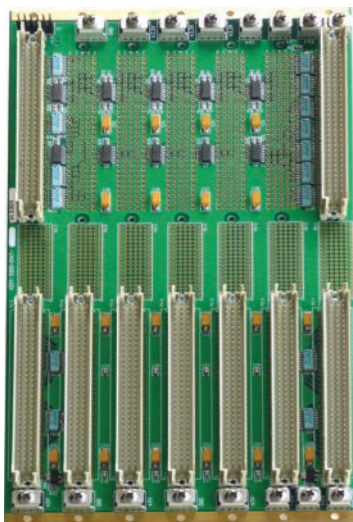


VME64E02P01

Backplanes

#### Technical Information :

Ohm Resistance of signal lines	<1.5 ohm
Basic Power consumption (both ends terminated)	1.6 A
Current loading per power bug	25A
Current loading for Faston	10A
Current loading per each slot	3.3V 12.5A (VME64x only)
	5V 9.0A
	+12V 1.5A
	-12V 1.5A
	+5V Standby 1.5A
	+V1 (38-75V)48V Nom. 3.0A
	-V1 (38-75V)48V Nom. 3.0A
MTBF	Fully populated VME64x with J0, 200,000 hours, Ground @ +40°C
Operating Temperature Range	-40°C to +85°C
Relative Humidity	90%, non-condensing
Weight	2-slot = 0.53 lbs; 3-slot = 0.6 lbs (add 0.11 per slot over 3 slots)



VMEBP07P00  
Rear View



### VME J1/J2 & VME64x J1/J2/P0 Monolithic Backplanes

#### Ordering Options

Our standard configurations can be ordered using the table below, however Vector can custom configure any of our backplanes to suit your specific needs. Contact [inquire@vectorelect.com](mailto:inquire@vectorelect.com) for more information and specific part number assignment.

Standard backplane equipped with surface-mounted (SMT) caps, resistors, etc. Long-tail connectors with shrouds on P2 and (P0 if VME64x).

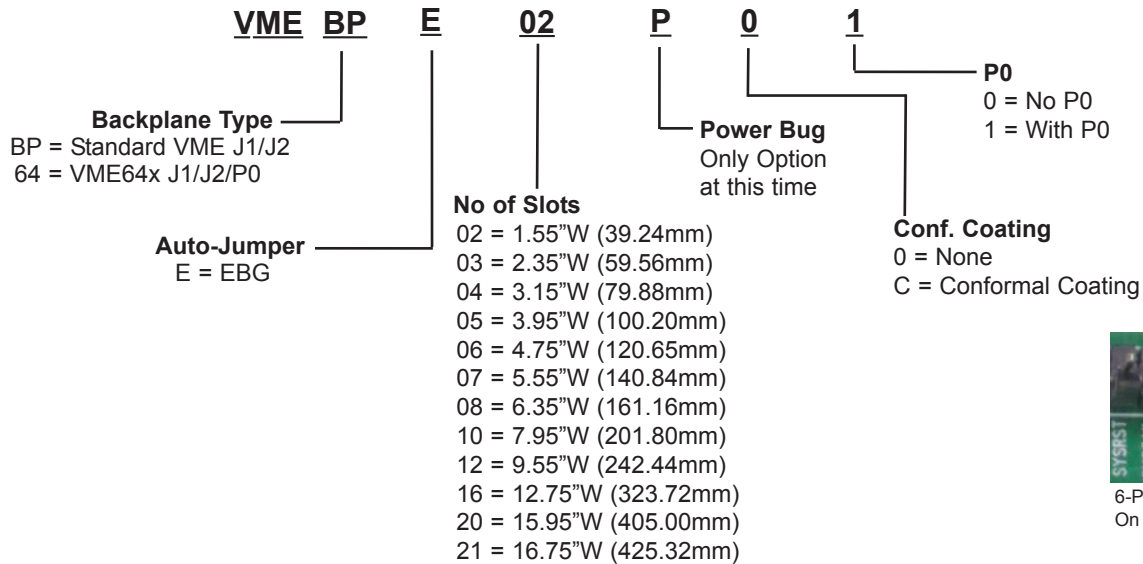
Standard backplanes include on-board termination and electronic daisy chaining(EBG) with OR-logic integrated into the backlane.

Order 'VMEBP' for 96-pin connectors (J1/J2) or 'VME64' for 160-pin J1/J2 and 133-pin P0.

Conformal coating available and is MIL-I-46058C and IPC-CC-830 qualified and U.L. recognized.

Backplanes

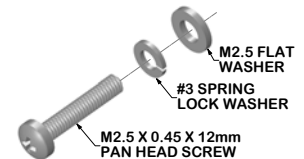
### VME / VME64x Backplane Standard 10.317"H (262.05mm), 6U Ordering Information



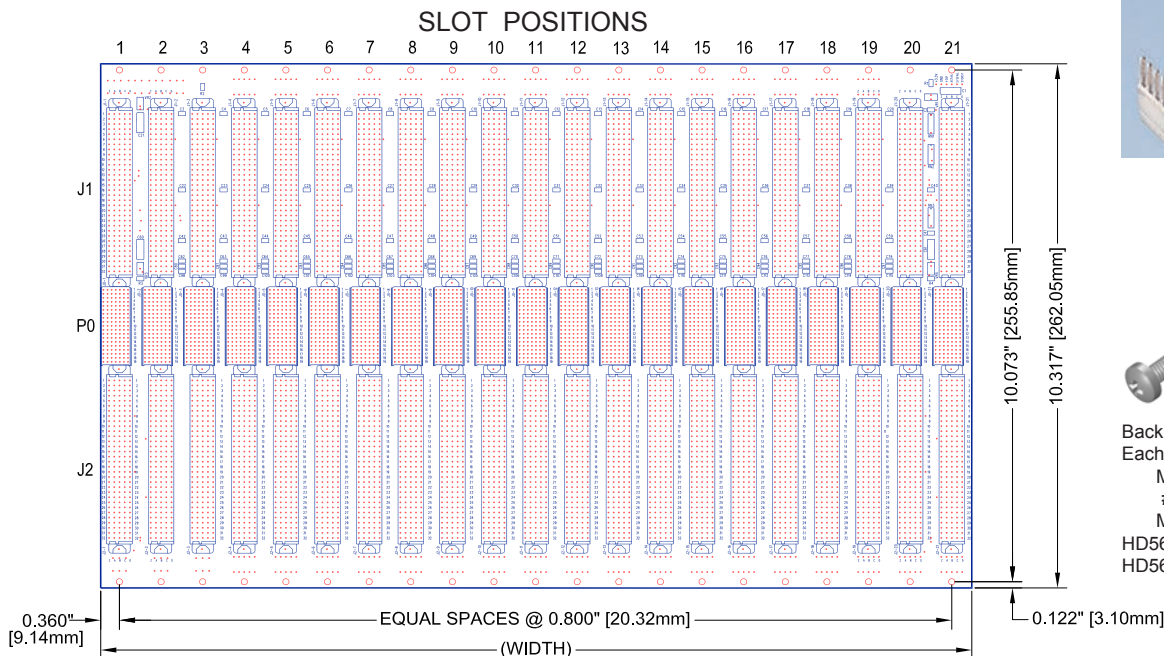
6-Pin Utility Connector  
On rear of Backplanes



10-Pin  
Power Bug  
(2.5 amps/pin)



Backplane Mounting Hardware  
Each Set includes:  
M2.5 X 12MM Screw  
#3 Lockwasher  
M2.5 (DIN#125) Flat Washer  
HD56-1 42 sets  
HD56 12 sets



FRONT SHOWN

### VME J1/J2 & VME64x J1/J2/P0 Monolithic Backplanes

#### Ordering Options

Our standard configurations can be ordered using the table below, however Vector can custom configure any of our backplanes to suit your specific needs. Contact [inquire@vectorelect.com](mailto:inquire@vectorelect.com) for more information and specific part number assignment.

Standard backplane equipped with surface-mounted (SMT) caps, resistors, etc. Long-tail connectors with shrouds on P2 and (P0 if VME64x).

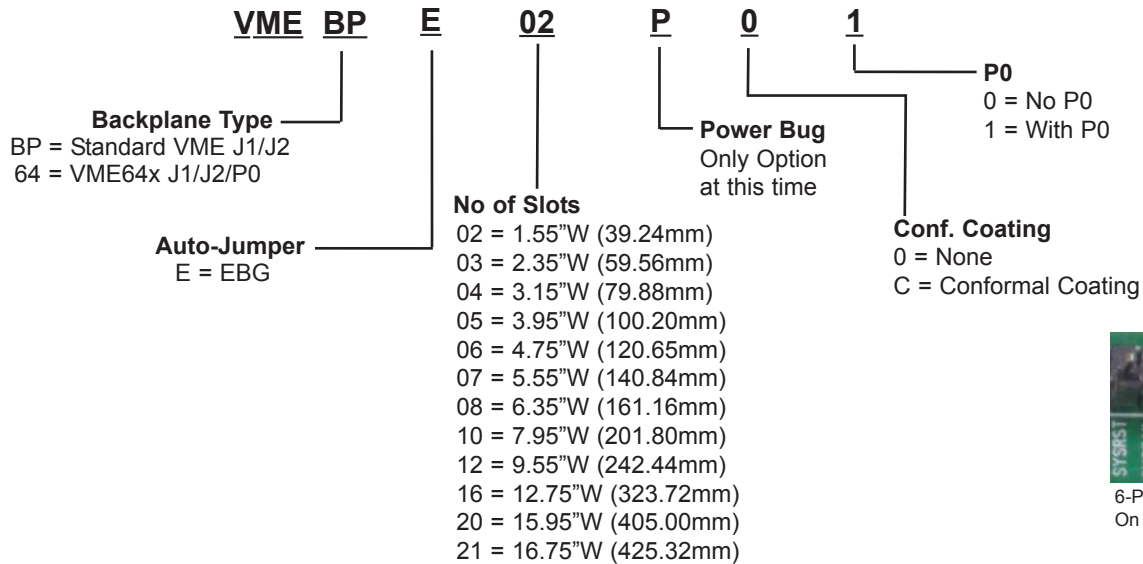
Standard backplanes include on-board termination and electronic daisy chaining(EBG) with OR-logic integrated into the backlane.

Order 'VMEBP' for 96-pin connectors (J1/J2) or 'VME64' for 160-pin J1/J2 and 133-pin P0.

Conformal coating available and is MIL-I-46058C and IPC-CC-830 qualified and U.L. recognized.

Backplanes

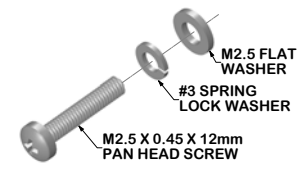
### VME / VME64x Backplane Standard 10.317"H (262.05mm), 6U Ordering Information



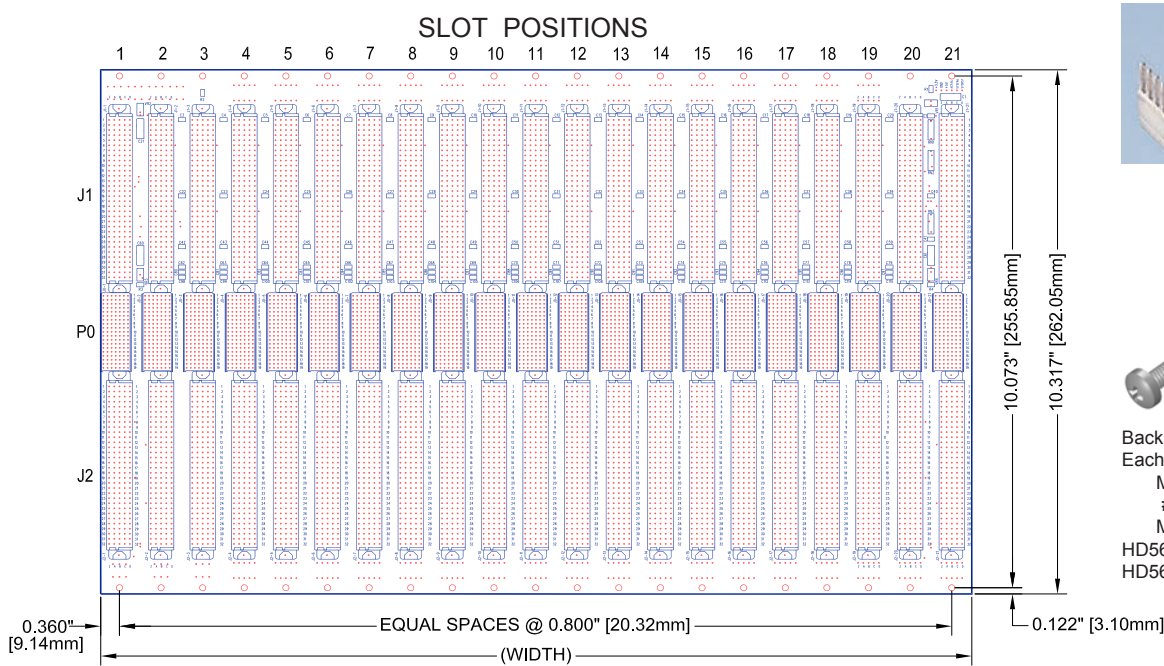
6-Pin Utility Connector  
On rear of Backplanes



10-Pin Power Bug  
(2.5 amps/pin)



Backplane Mounting Hardware  
Each Set includes:  
M2.5 X 12MM Screw  
#3 Lockwasher  
M2.5 (DIN#125) Flat Washer  
HD56-1 42 sets  
HD56 12 sets



FRONT SHOWN