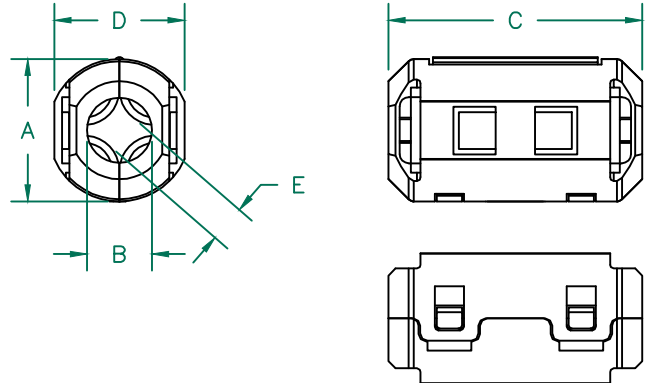


CORE DIMENSIONS:

A	16.00 [.630]	±	0.30 [.012]
B	8.00 [.315]	±	0.20 [.008]
C	28.00 [1.102]	±	0.50 [.020]
D	7.50 [.295]	±	0.20 [.008]
E	5.60 [.220]	±	0.30 [.012]

Weight/1000 (Per Pair) 19.98 kgs [44.08 lbs.]



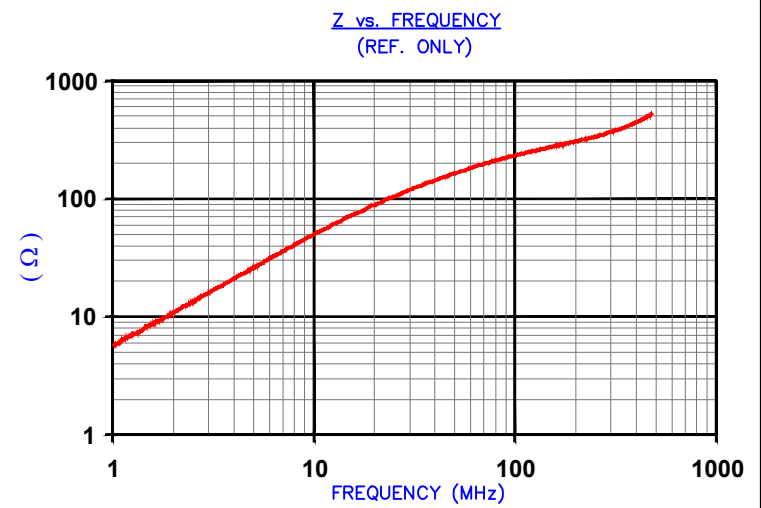
CASE DIMENSIONS:

A	19.70 [.776]	±	0.40 [.016]
B	9.00 [.354]	±	0.30 [.012]
C	35.10 [1.382]	±	0.50 [.020]
D	18.00 [.709]	±	0.40 [.016]
E	5.31 [.209]	±	REF.



UNCONTROLLED DOCUMENT

IMPEDANCE (Z)			
Frequency	25 MHz	100 MHz	300 MHz
Nominal (REF)	106 Ω	233 Ω	366 Ω
Minimum	- Ω	186 Ω	- Ω



AGILENT E4991A Impedance/Material Analyzer
HP 16092A-Test Fixture

NOTES:

1. CASE FLAMMABILITY RATING: UL94 V-0
2. CASE MATERIAL: HALOGEN FREE NYLON
3. ASSEMBLED PART #: 28A2738-0A0
4. CORE PART #: 28A2738-000
5. CASE COLOR: WHITE -"0A0"
6. COSMETIC SPECIFICATION REFER TO WI-QA-038.

DIMENSIONS ARE IN mm [INCHES].				This print is the property of Laird Tech. and is loaned in confidence subject to return upon request and with the understanding that no copies shall be made without the written consent of Laird Tech. All rights to design or invention are reserved.		Laird		
				PROJECT/PART NUMBER: 28A2738-0A0		REV B	PART TYPE: FERRITE SNAP-ON	DRAWN BY: JRK
B	UPDATE COMPANY LOGO ,ADD NOTE 6	08/23/14	QIU	DATE: 4/22/09	SCALE: NTS	MATERIAL: Ferrite		
A	ORIGINAL DRAFT	4/22/09	JRK	CAD # 28A2738-0A0-B	TOOL # -			
REV	DESCRIPTION	DATE	INT					