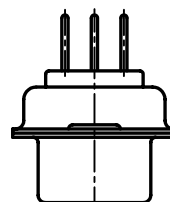
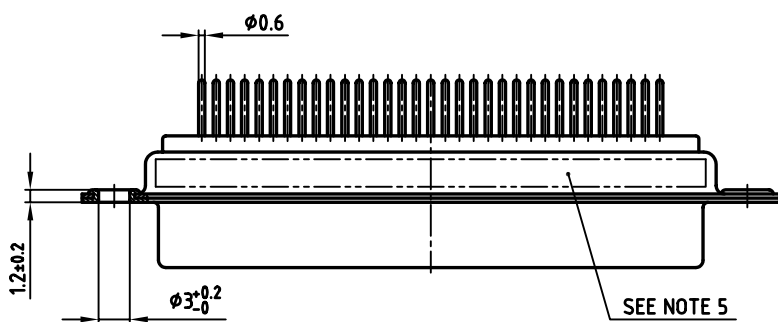
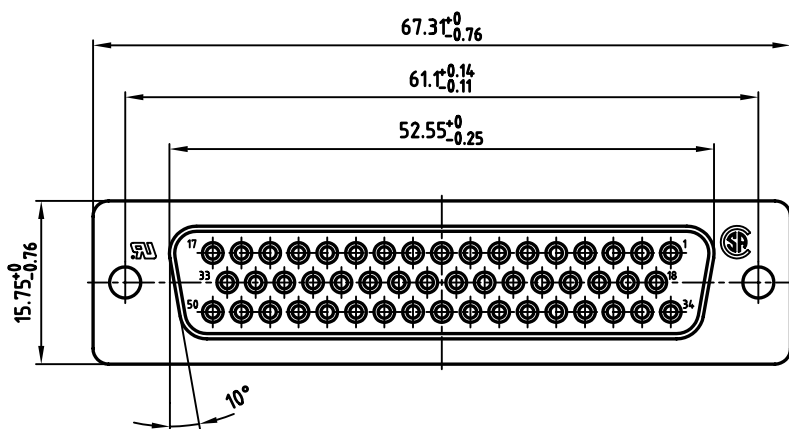
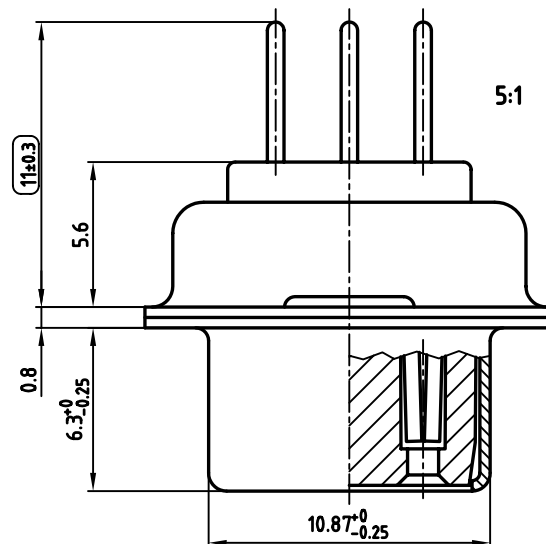


used for: D-SUB



NOTES:

1. METALSHELLS: STEEL; min. 320µ" TIN
2. INSULATORS: PBT GF UL 94 V-0, BLACK
3. CONTACTS: COPPER ALLOY
PLATING: 8µ" HARD GOLD OVER min. 50µ" NICKEL
4. P.C.B. HOLE DRILLINGS ON SHEET 2
5. CONNECTOR IS PART MARKED: 164A10109X CONEC ABC
6. = CHECK DIMENSION

Directive 2002/95/EC
"RoHS"
Compliant

APPROVAL # FREIGABE # DEBLOCAGE # AUTORIZACION # APPROVAL	
CUSTOMER APPROVAL DATE:	
NAME:	TITLE:
COMPANY NAME:	
APPROVAL # FREIGABE # DEBLOCAGE # AUTORIZACION # APPROVAL	

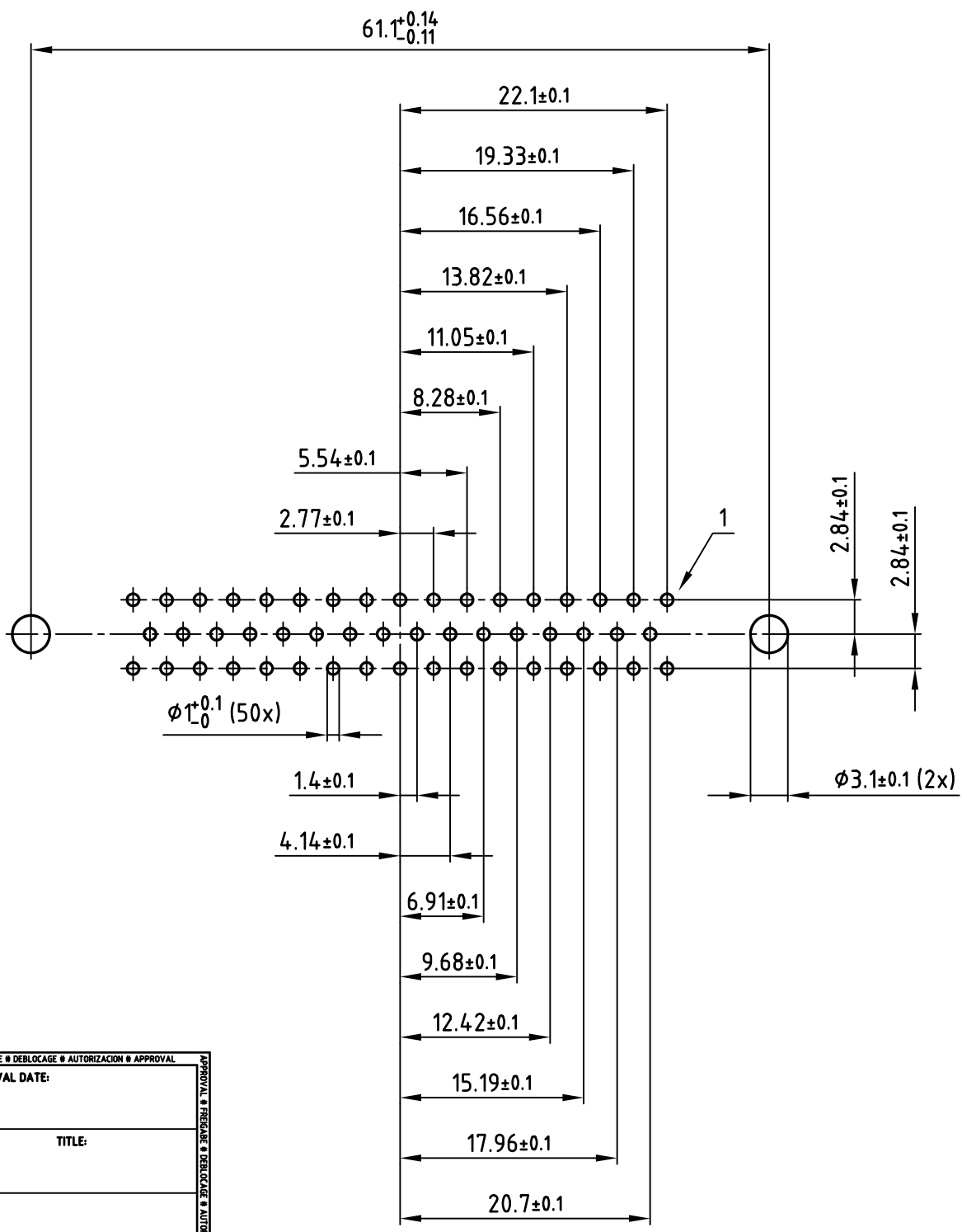
THIS DRAWING MAY NOT BE COPIED OR REPRODUCED IN ANY WAY, AND MAY NOT BE PASSED ON TO A THIRD PARTY, WITHOUT WRITTEN PERMISSION. OWNERSHIP AND COPYRIGHT OF CONEC GmbH. DO NOT ALTER CAD DRAWING BY HAND

rev.	description	date	name

tolerance		
2005	date	
drawn	02.08.	name
appd.	02.08.	Mickenbecker
norm		DIN 41652
d-old		

scale:	2:1 (5:1)	
material:	SEE NOTES	
title:		
D-SUB FEMALE 50pos. SOLDER PIN STRAIGHT		
dwg no:	AutoCAD 2004	DIN-A
16K1A1471		3
part no:		164A10109X
		sh:1/2

4 3 2 1 used for: D-SUB



APPROVAL # FREIGABE # DEBLOCAGE # AUTORIZACION # APPROVAL

CUSTOMER APPROVAL DATE:

NAME: TITLE:

COMPANY NAME:

APPROVAL # FREIGABE # DEBLOCAGE # AUTORIZACION # APPROVAL

THIS DRAWING MAY NOT BE COPIED OR REPRODUCED IN ANY WAY, AND MAY NOT BE PASSED ON TO A THIRD PARTY WITHOUT WRITTEN PERMISSION. OWNERSHIP AND COPYRIGHT OF CONEC GmbH DO NOT ALTER CAD DRAWING BY HAND

tolerance			dim. in mm		
2005	date	name	scale: 2:1		
drawn	02.08.	Lehmenkühler	material: SEE SHEET 1		
appd.	02.08.	Mickenbecker	title: P.C.B. HOLE DRILLINGS		
norm	DIN 41652		D-SUB FEMALE 50pos. SOLDER PIN STRAIGHT		
d-old			dwg no: AutoCAD 2004		
rev.	description	date	16K1A1471		DIN-A
			part no: SEE SHEET 1		4
					sh:2/2



4 3 2 1