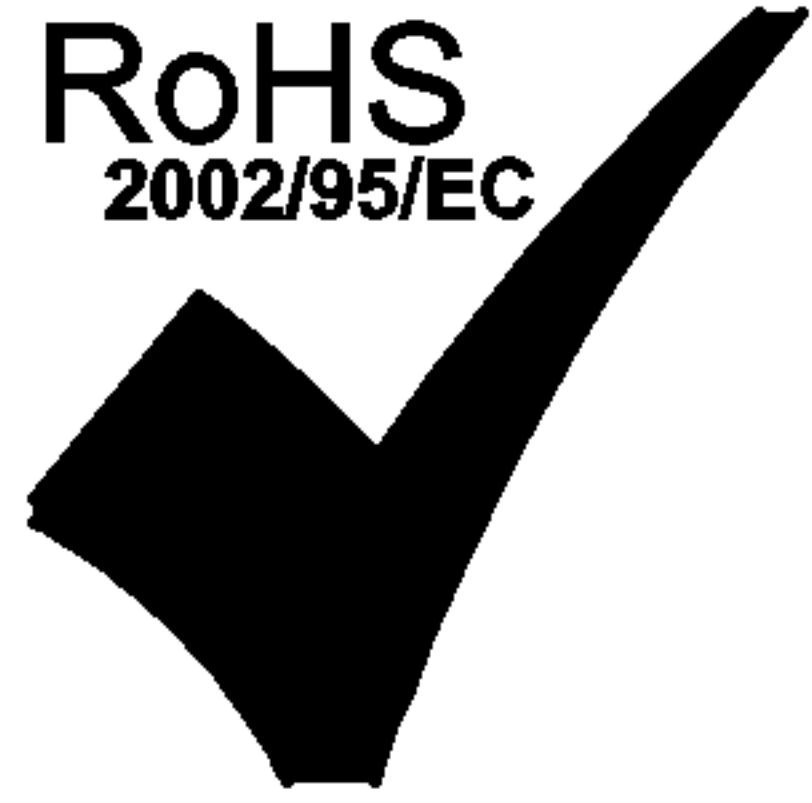
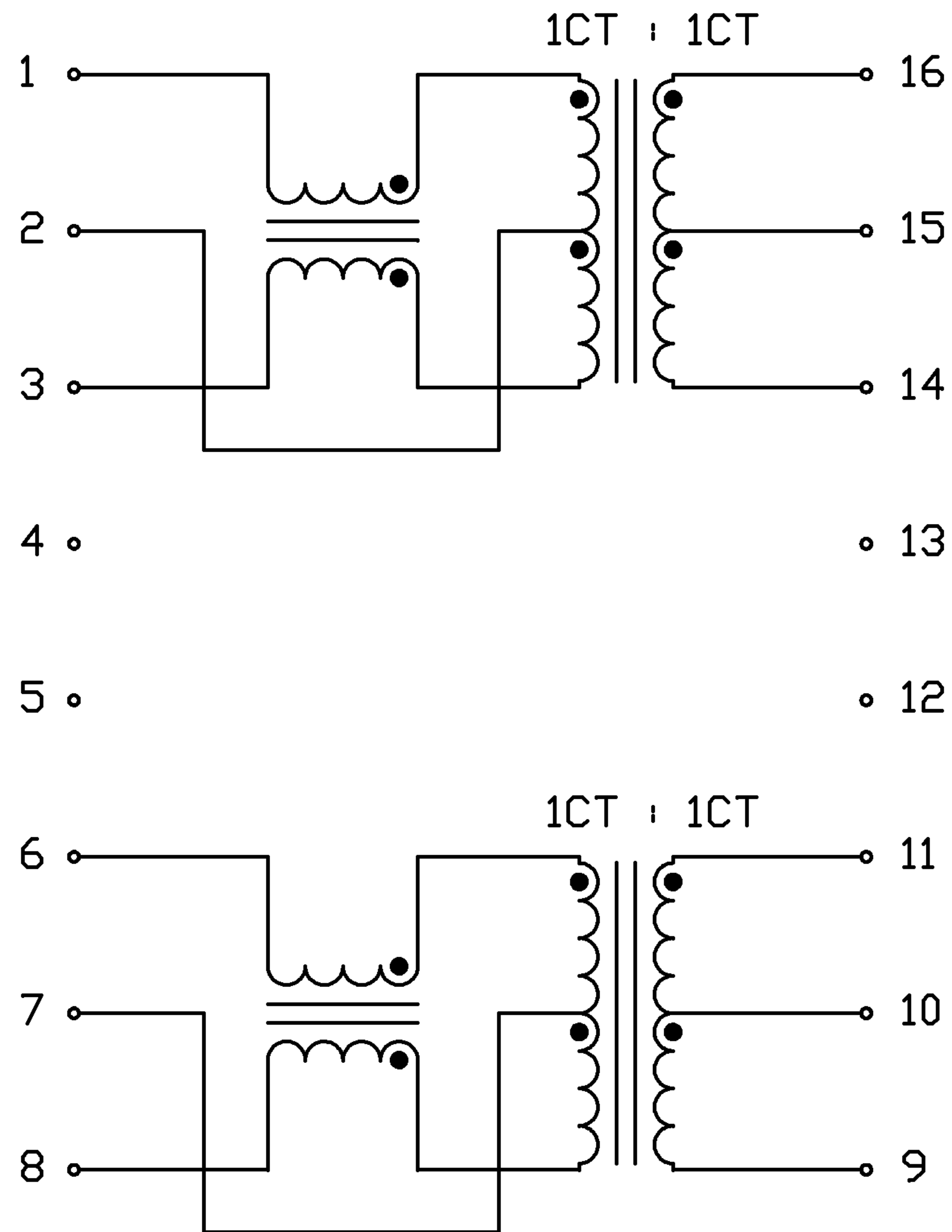


THE INFORMATION CONTAINED HEREIN IS CONSIDERED "PROPRIETARY" TO BEL FUSE INC. AND SHALL NOT BE COPIED, REPRODUCED OR DISCLOSED WITHOUT THE WRITTEN APPROVAL OF BEL FUSE INC.

ELECTRICAL CHARACTERISTICS @25°C



SCHEMATIC



URNS RATIO
 Tx (1-2-3) : (16-15-14)
 Rx (6-7-8) : (11-10-9)

1CT : 1CT
 1CT : 1CT

PHASING

16 TO 1 ; 11 TO 6

OCL (-40°C TO +85°C)
 TX (16&14)
 RX (11&9)

350µH MIN.
 @100kHz, 100mV
 WITH 8mA DC BIAS

LEAKAGE INDUCTANCE, L_e (0°C - 70°C)
 TX (16-14) WITH 1-3 SHORTED
 RX (11-9) WITH 6-8 SHORTED

0.35µH MAX.
 @1MHz 20mV

INTERWINDING CAPACITANCE, C_w/w
 TX (1-3 TO 16-14)
 RX (6-8 TO 11-9)

30pF MAX.
 @1MHz 20mV

DCR WINDING RESISTANCE
 (1-3) = (6-8)
 (16-14) = (11-9)

2.0ΩHM MAX.
 1.0ΩHM MAX.

INSERTION LOSS
 @100kHz TO 100MHz

1.0dB MAX.

RETURN LOSS (UNDER 100ΩHM ±15% ENVIRONMENT)
 @100kHz TO 30MHz
 @30 TO 60MHz
 @60 TO 80MHz

18dB MIN.
 18-20LOG(F/30MHz) MIN.
 12dB MIN.

COMMON TO COMMON MODE ATTENUATION
 @0.1 TO 100MHz

30dB MIN.

CROSSTALK
 @1MHz
 @30MHz
 @60MHz
 @100MHz

65dB MIN.
 55dB MIN.
 45dB MIN.
 35dB MIN.

COMMON TO DIFFERENTIAL MODE ATTENUATION
 @0.1 TO 100MHz

40dB MIN.

HIPOT

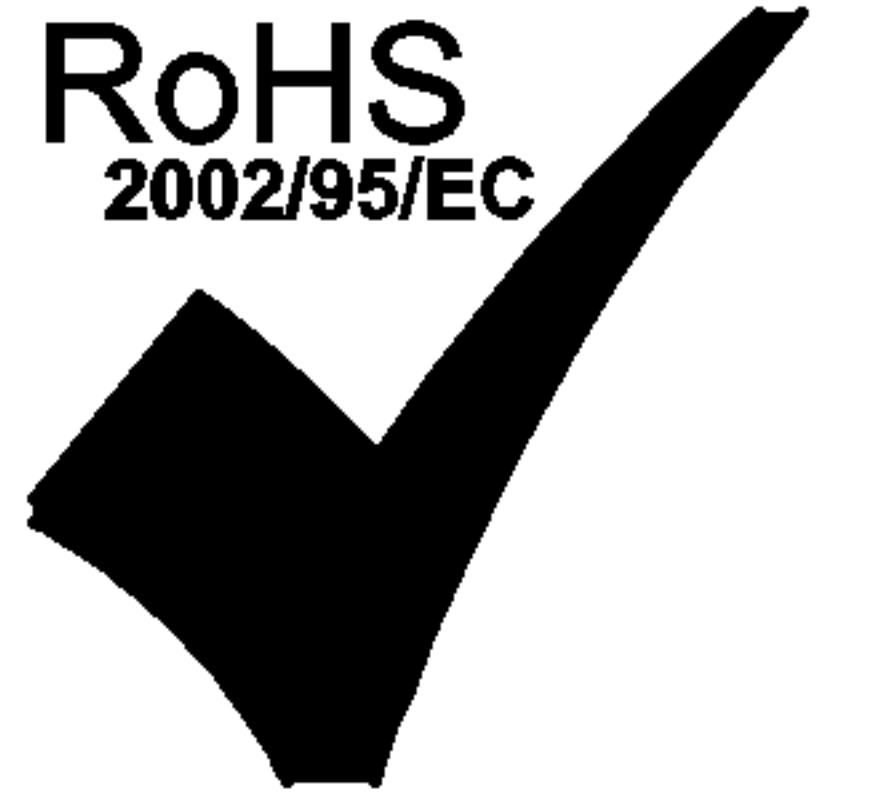
1500Vrms

ORIGINATED BY	DATE	TITLE	PART NO. / DRAWING NO.	STANDARD DIM. TOL. IN INCH	[] METRIC DIM. AS REFERENCE
CHAN CH	06-27-08	10/100BT MAGNETICS MODULE	X5585999T5-F	.X	UNIT : INCH [mm] REV. : B
DRAWN BY	DATE	S558-5999-T5-F	FILE NAME	.XX	SCALE : N/A SIZE : A4
YH Lal	06-27-08		X5585999T5FB.DWG	.XXX	PAGE : 2

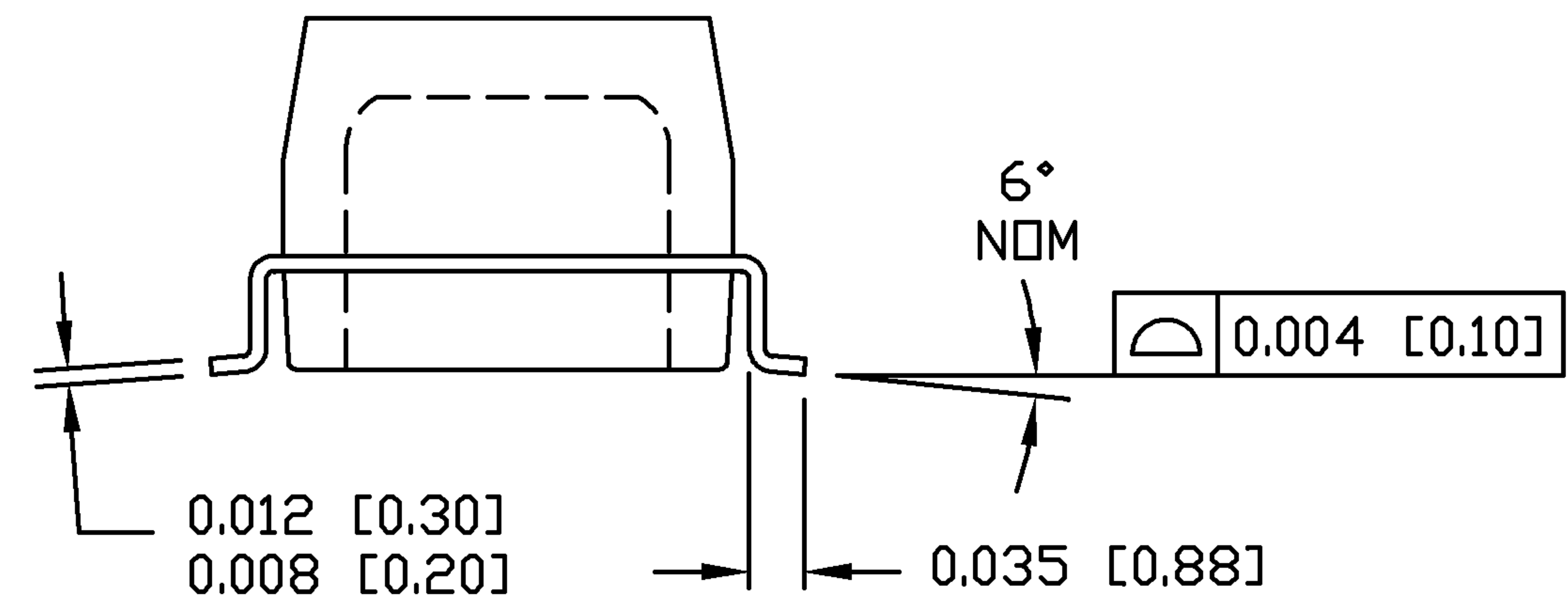
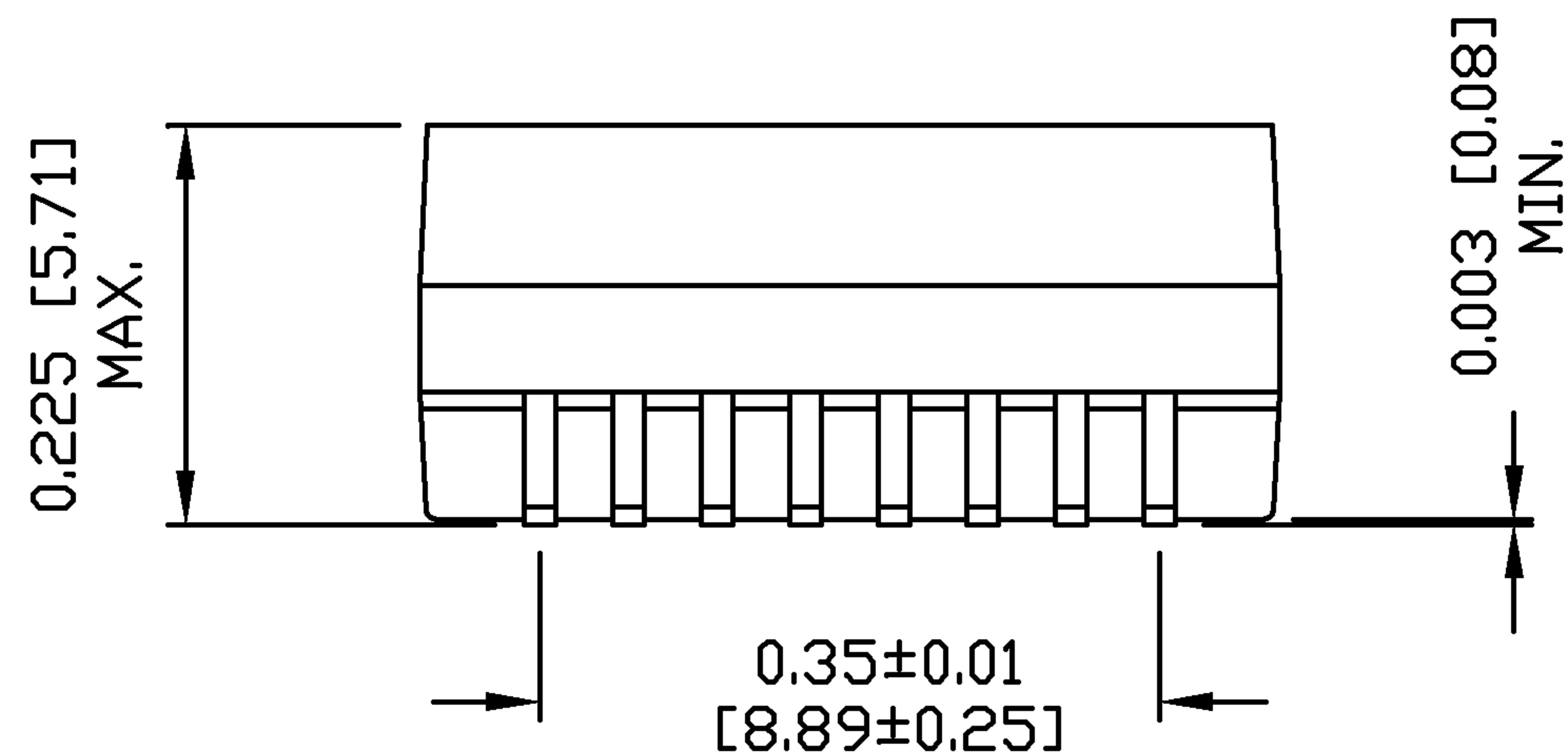
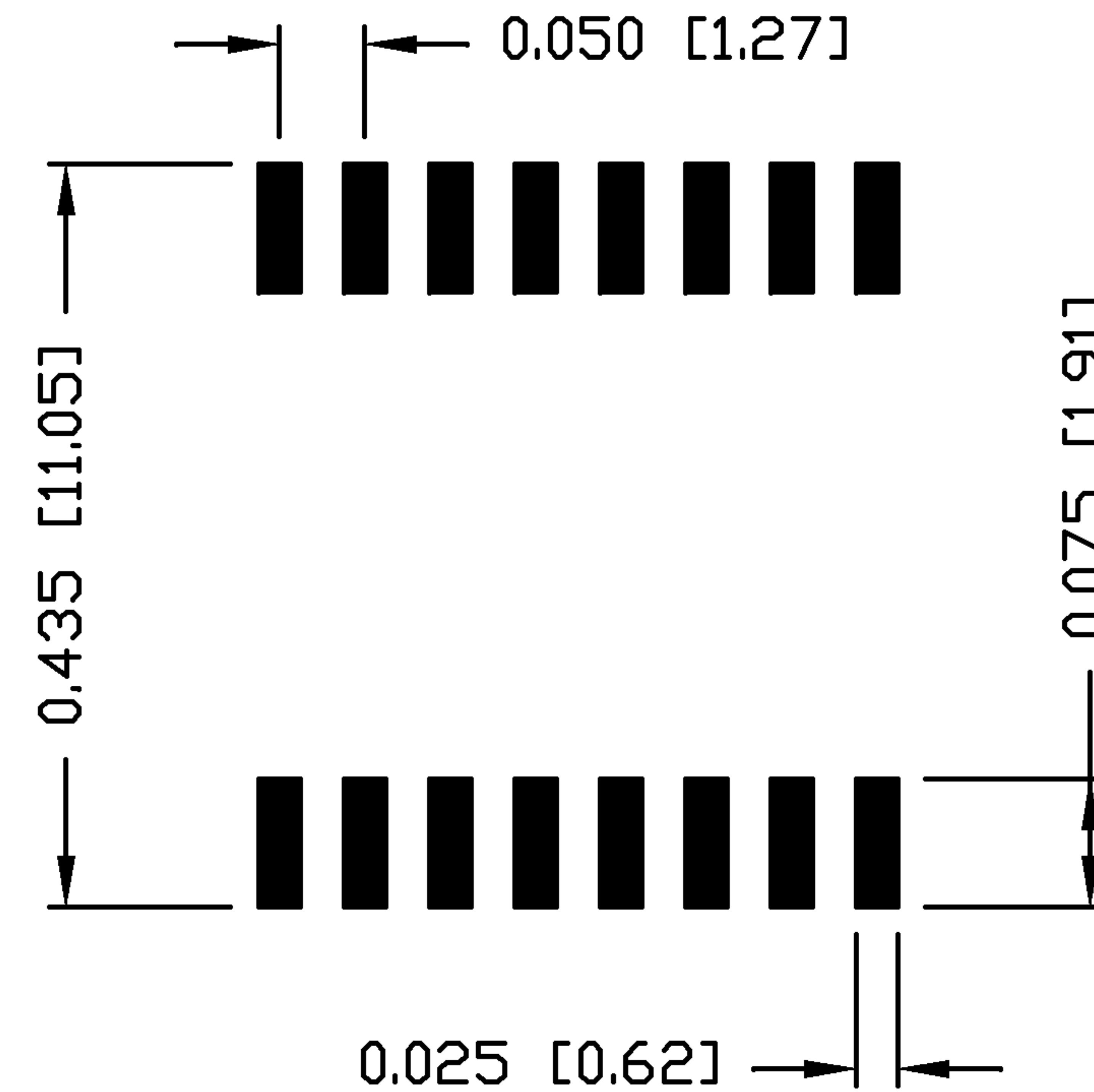
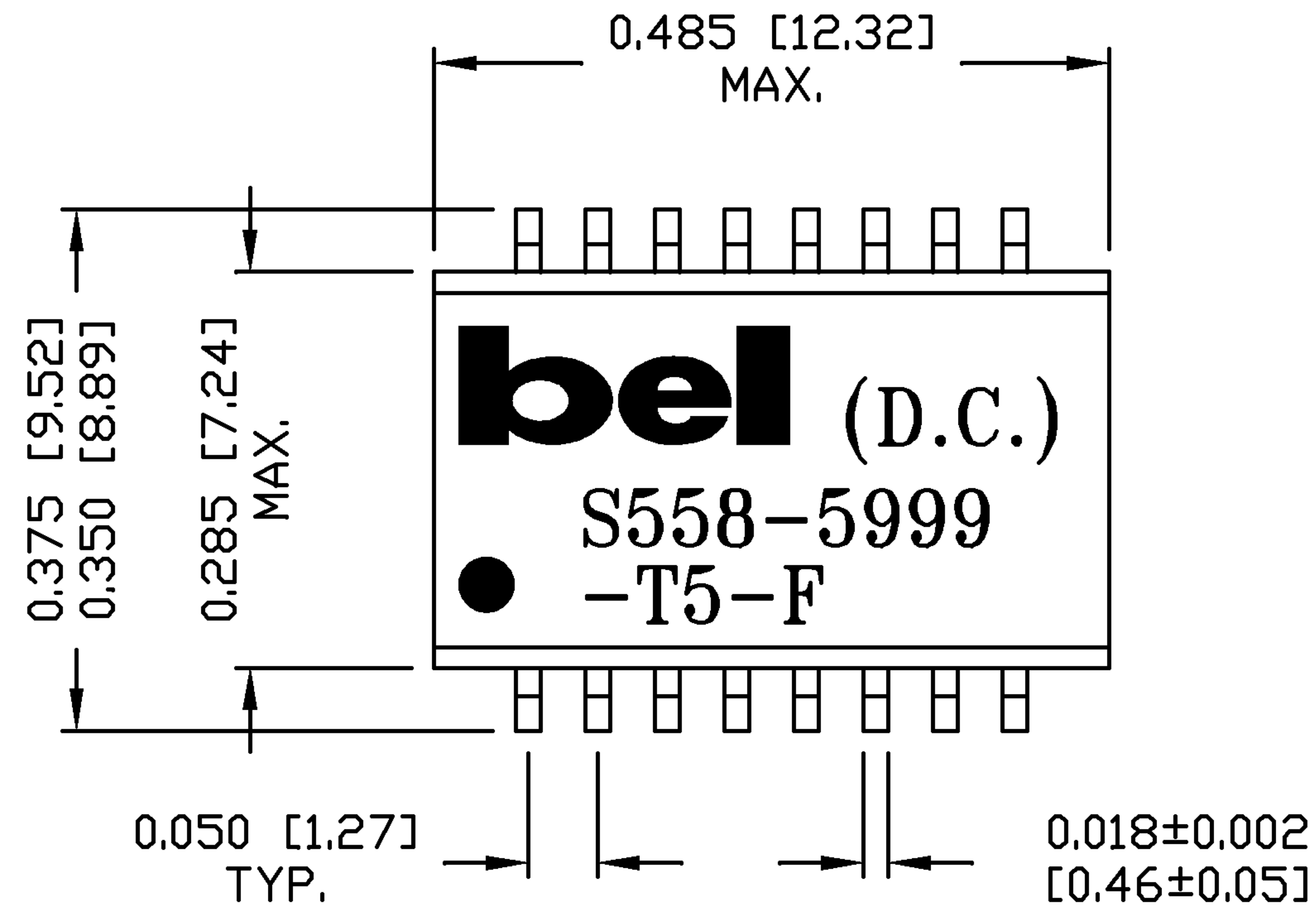


THE INFORMATION CONTAINED HEREIN IS CONSIDERED "PROPRIETARY" TO BEL FUSE INC. AND SHALL NOT BE COPIED, REPRODUCED OR DISCLOSED WITHOUT THE WRITTEN APPROVAL OF BEL FUSE INC.

RoHS
2002/95/EC



SUGGESTED PCB PAD LAYOUT



NOTES:

- STANDARD MARKING REFER TO DOC. HAND-WORK-04.
- PACKAGE CODE: "QBS001".

ORIGINATED BY	DATE	TITLE	PART NO. / DRAWING NO.	STANDARD DIM. TOL. IN INCH	[] METRIC DIM. AS REFERENCE
LAWRENCE TSANG	06-27-08	MECHANICAL DRAWING S558-5999-T5-F	X5585999T5-F	.X	UNIT : INCH [mm]
DRAWN BY	DATE		FILE NAME	.XX ±0.01	SCALE : N/A
YH Lal	06-27-08		X5585999T5FB.DWG	.XXX ±0.005	REV. : B SIZE : A4 PAGE : 3

