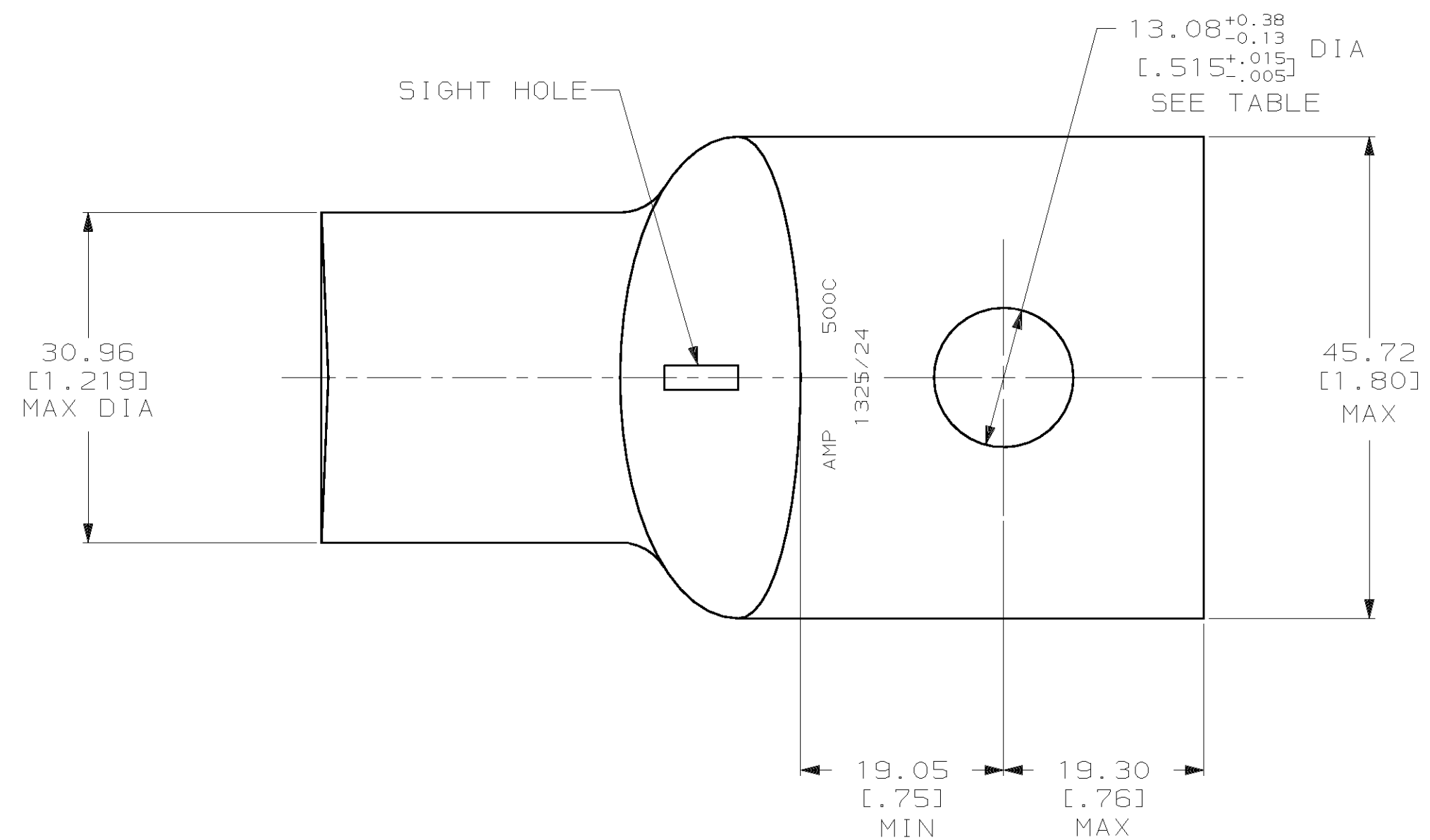
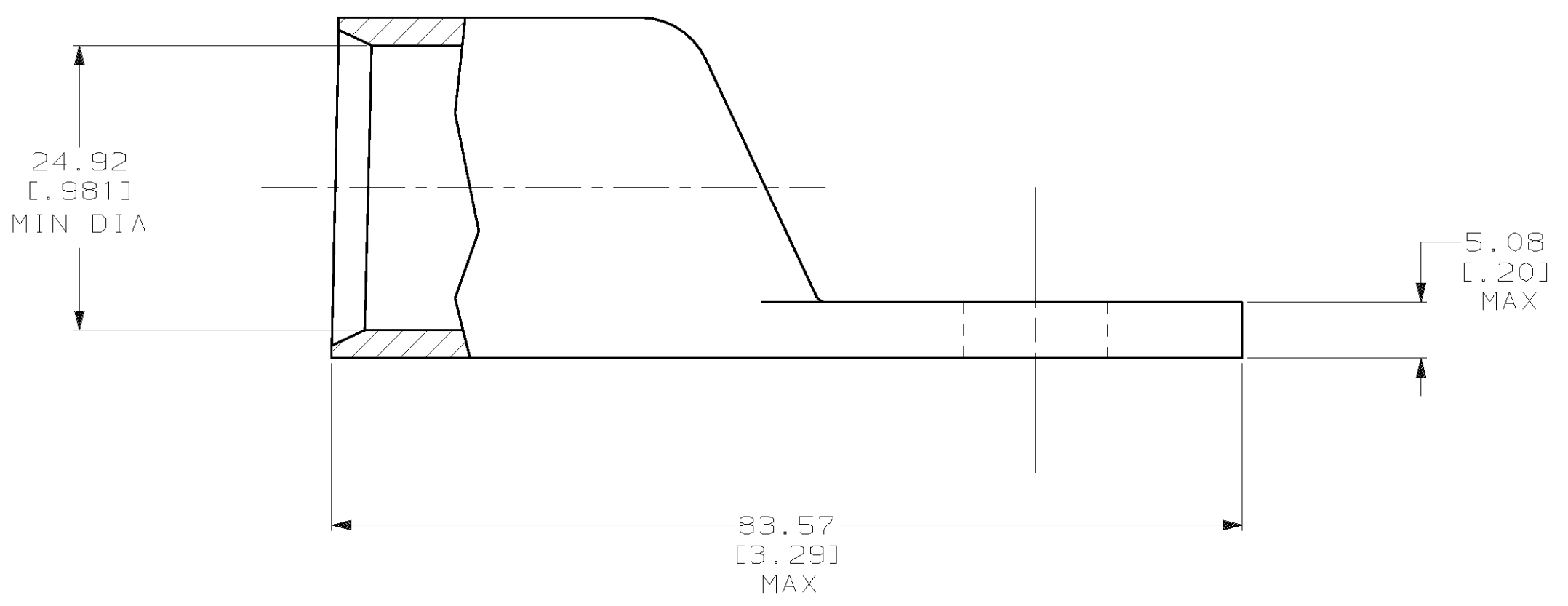


THIS DRAWING IS UNPUBLISHED. RELEASED FOR PUBLICATION, 19 .
 © COPYRIGHT 19 BY AMP INCORPORATED. ALL INTERNATIONAL RIGHTS RESERVED.

LOC		DIST		P		F		ZONE		LTR		REVISIONS		DATE	APPD
G	86											5	REV PER 0G3A-0561-01	080CT02	JR MS



- 1 CIRCULAR MIL RANGE: 450-550 MCM
- 2 TIN PL 0.00381 [.000150] MIN THK PER MIL-T-10727



NONE	326105-3
REQ'D	326105
SIGHT HOLE	PART NO

DO NOT SCALE PRINT. UNLESS SPECIFIED DIMENSIONS IN mm [INCHES] TOLERANCES ON : 2 PLC DEC ± 0.51 [.020] 3 PLC DEC ± - ANGLES ± -	DR 11/22/91 DK SCHRUM	AMP Incorporated Harrisburg, PA 17105-3608	
	CHK 11/25/91 AJ KAUFMAN		
MATERIAL ANNEALED COPPER ASTM B-75	APPD 11/25/91 WJ VOCKROTH	TERMINAL, AMPPOWER™ WIRE SIZE: 253.0mm ² [500] MCM	
FINISH METRIC	APPD 11/25/91 AJ ADELMANN	SIZE	DRAWING NO
	PRODUCT SPEC -	CAGE CODE	326105
	APPLICATION SPEC -	SCALE	SHEET
	WEIGHT .322 LB	2:1	1 OF 1