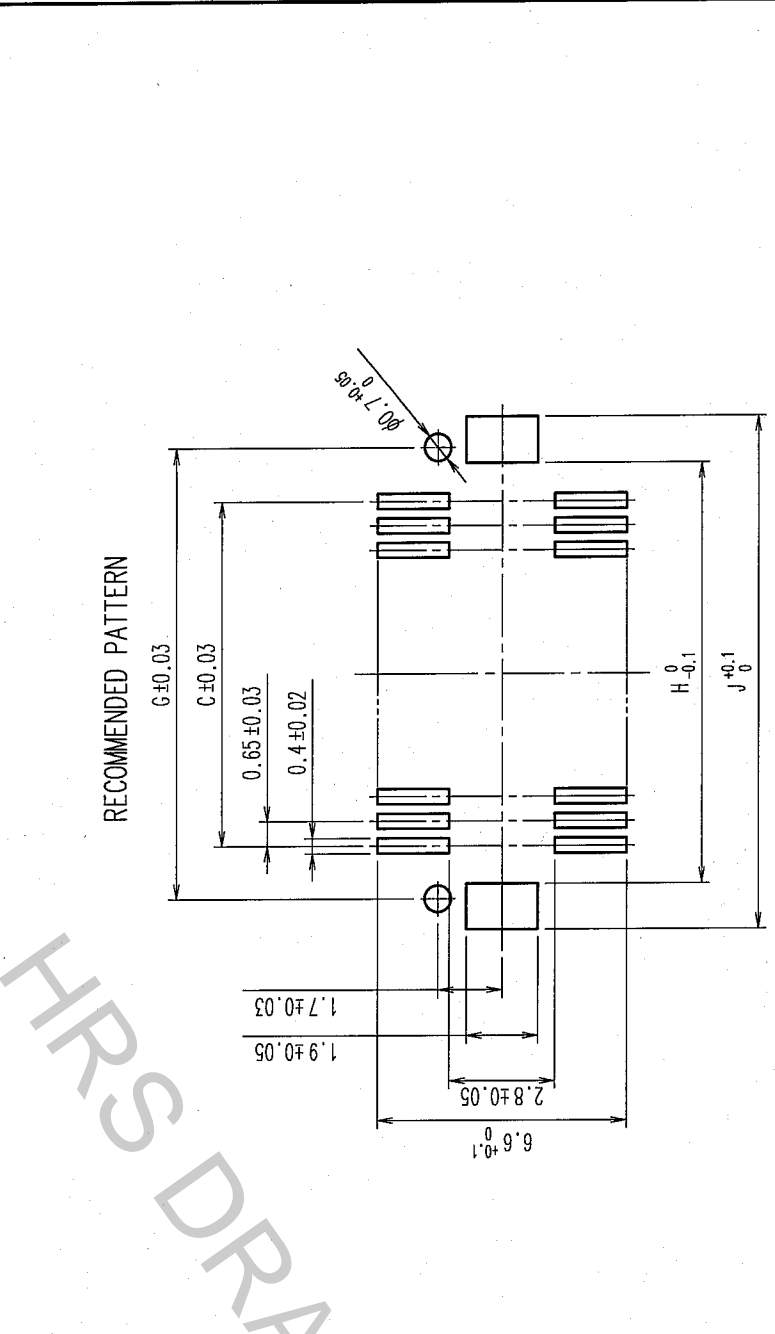
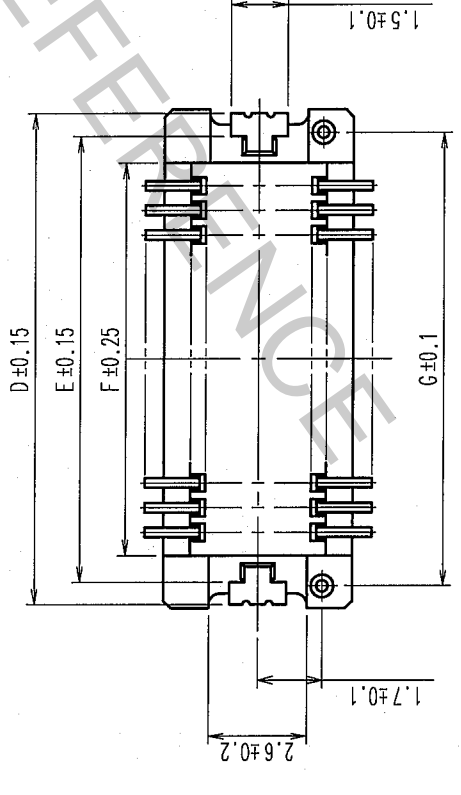
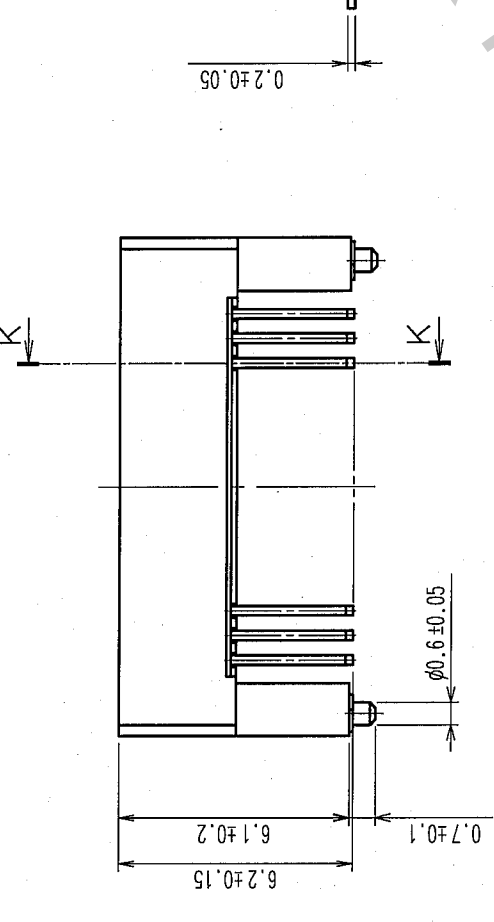
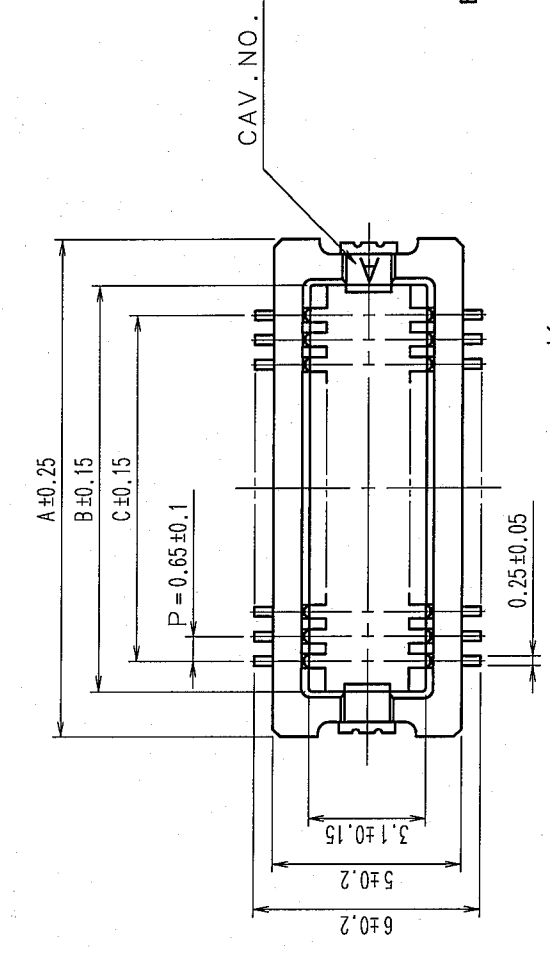
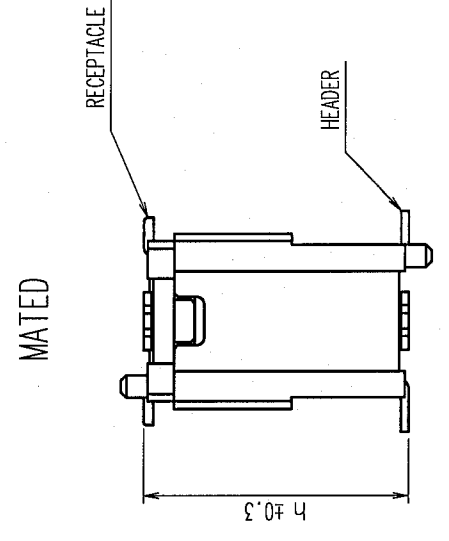
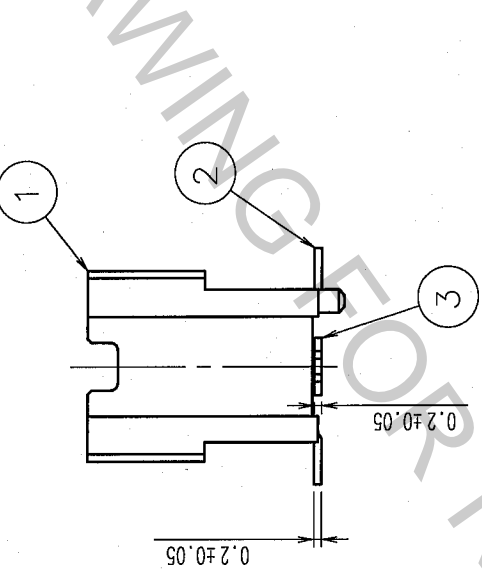
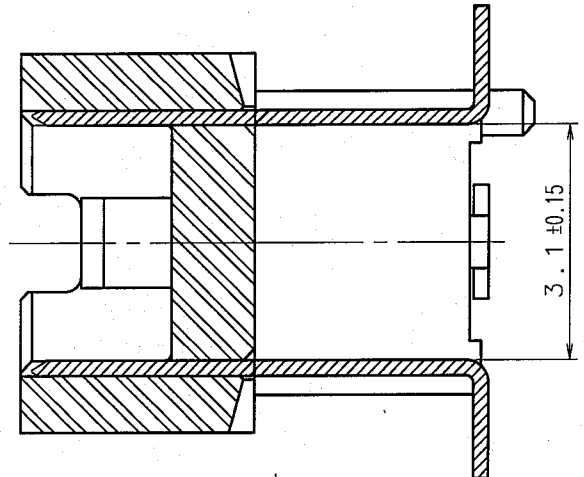


BY	CHKD	DATE	COUNT	DESCRIPTION OF REVISIONS	BY	CHKD	DATE
△	△	△	△				
△	△	△	△				
△	△	△	△				

PART NO.	CODE NO.	CONTACT	A	B	C	D	E	F	G	H	J
DF15(6.2)-20DP-0.65V(56)	CL677-0162-7-56	20	9.85	7.45	5.85	9.65	8.45	7.05	8.65	7.85	10.25
DF15(6.2)-30DP-0.65V(56)	CL677-0163-0-56	30	13.1	10.7	9.1	12.9	11.7	10.3	11.9	11.1	13.5
DF15(6.2)-40DP-0.65V(56)	CL677-0164-2-56	40	16.35	13.95	12.35	16.15	14.95	13.55	15.15	14.35	16.75
DF15(6.2)-50DP-0.65V(56)	CL677-0165-5-56	50	19.6	17.2	15.6	19.4	18.2	16.8	18.4	17.6	20.0



NOTES 1. LEAD CO-PLANARITY INCLUDE REINFORCED METAL FITTINGS SHALL BE 0.1 mm MAX.



MATED HEIGHT (h)	RECEPTACLE NO.	HEADER NO.
	DF15#(0.8)-*DS-0.65V(56)	7
	DF15#(1.8)-*DS-0.65V(56)	8

NO.	MATERIAL	FINISH, REMARKS	DESIGNED	CHECKED	APPROVED	RELEASED
6	PS	BLACK (PLASTIC REEL)				
5	POLYESTER	CLEAR (COVER TAPE)				
4	PS	CLEAR (EMBOSSED CARRIER TAPE)				
3	BRASS	TIN PLATED 1µm min UNDER PLATING: NICKEL PLATED 1µm min				

NO.	MATERIAL	FINISH, REMARKS	DESIGNED	CHECKED	APPROVED	RELEASED
1	PHOSPHOR BRONZE	CONTACT AREA: GOLD PLATED 0.1µm min LEAD AREA: TIN PLATED 1µm min UNDER PLATING: NICKEL PLATED 1µm min				
2	POLYAMIDE (PA6T)	NATURAL (BEIGE), UL94V-0				

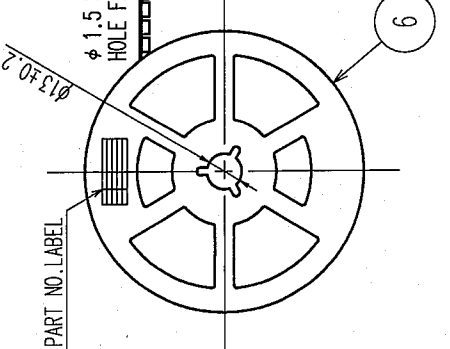
DRAWING NO.	EDC3-302781-01	PART NO.	DF15(6.2)-*DP-0.65V(56)
SCALE	5 : 1	CODE NO.	CL677
UNITS	mm		

HIROSE ELECTRIC CO., LTD. CL677 1/2

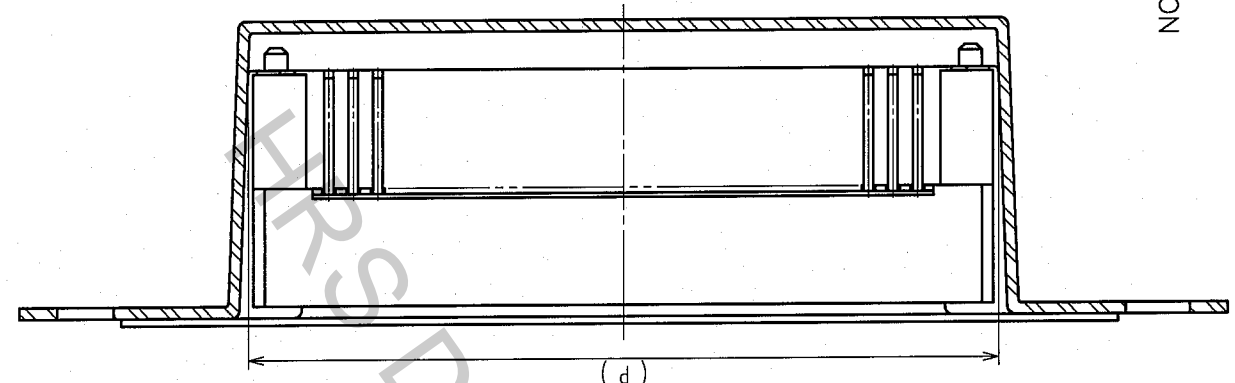
In case that the application demands a high level of reliability, such as automotive, please contact a company representative for further information.

NO.	DATE	BY	CHKD	DESCRIPTION OF REVISIONS	COUNT	DESCRIPTION OF REVISIONS	BY	CHKD	DATE

STYLE AND DIMENSION OF REEL (FREE)



R-R

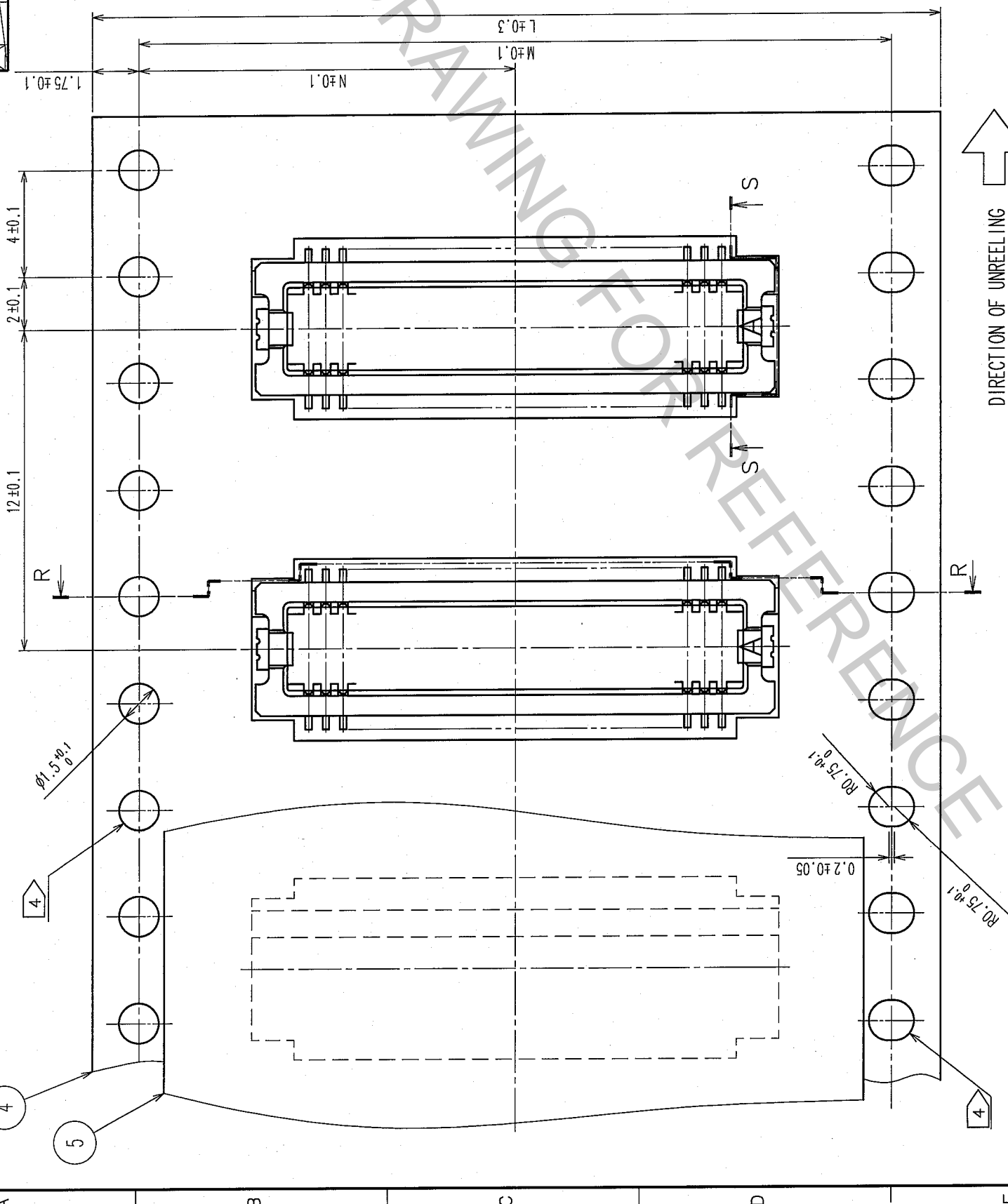


DETAIL OF PART NO. LABEL

SUPPLIER QUANTITY PART NO. DATE OF MANUFACTURED

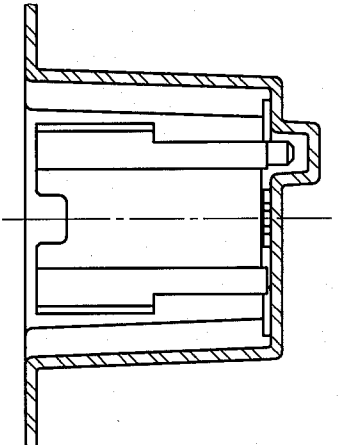
生産月日	年月日
図番	CL677-*****-56
品名	DF15(6.2)-*DP-0.65V(56)
納入数量	1000 Ko
納入者	ヒロセ電機(株)

- NOTES
- 1 REEL: 1000 CONNECTORS.
 2. AT THE BEGINNING OF THE REEL, 30 COMPONENTS SHALL BE EMPTY.
 3. AT THE END OF THE REEL, 20 COMPONENTS SHALL BE EMPTY.
 4. WHEN THE TAPE WIDTH IS 32mm, SPROCKET HOLES SHALL BE SET ON BOTH SIDES OF REEL AS SHOWN ON THIS DRAWING.
 5. PEEL FORCE REFERS TO JIS C 0806.



DIRECTION OF UNREELING

S-S



PART NO.	CODE NO.	L	M	N	P	Q
DF15(6.2)-20DP-0.65V(56)	CL677-0162-7-56	16.0	-	7.5	10.15	17.5
DF15(6.2)-30DP-0.65V(56)	CL677-0163-0-56	24.0	-	11.5	13.4	25.5
DF15(6.2)-40DP-0.65V(56)	CL677-0164-2-56	24.0	-	11.5	16.65	25.5
DF15(6.2)-50DP-0.65V(56)	CL677-0165-5-56	32.0	28.4	14.2	19.9	33.5

DRAWING NO. EDC3-302781-01

SCALE: FREE

UNITS: mm

PART NO. DF15(6.2)-*DP-0.65V(56)

CODE NO. CL677-

DESIGNED: J. Michino

DRAWN: M. Maruyama

CHECKED: M. Takahashi

APPROVED: M. Takemura

RELEASED: 2/2