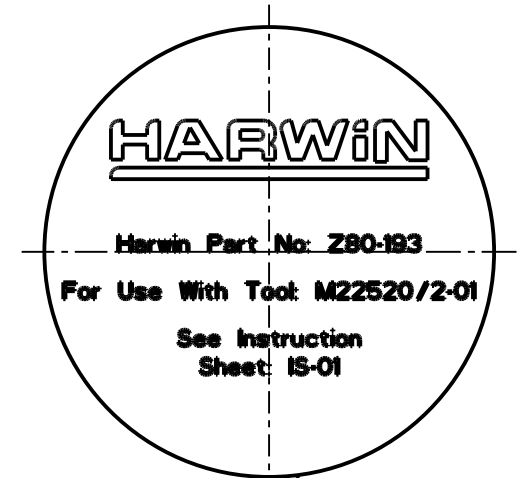
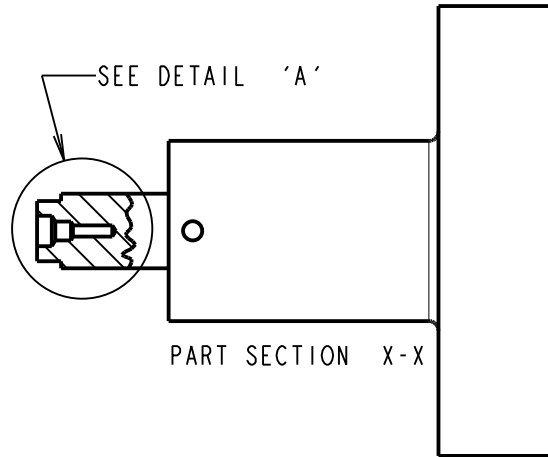
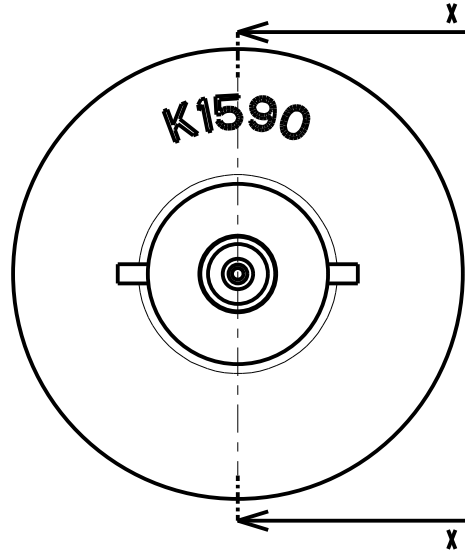
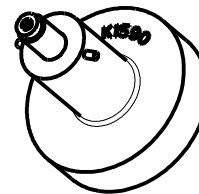
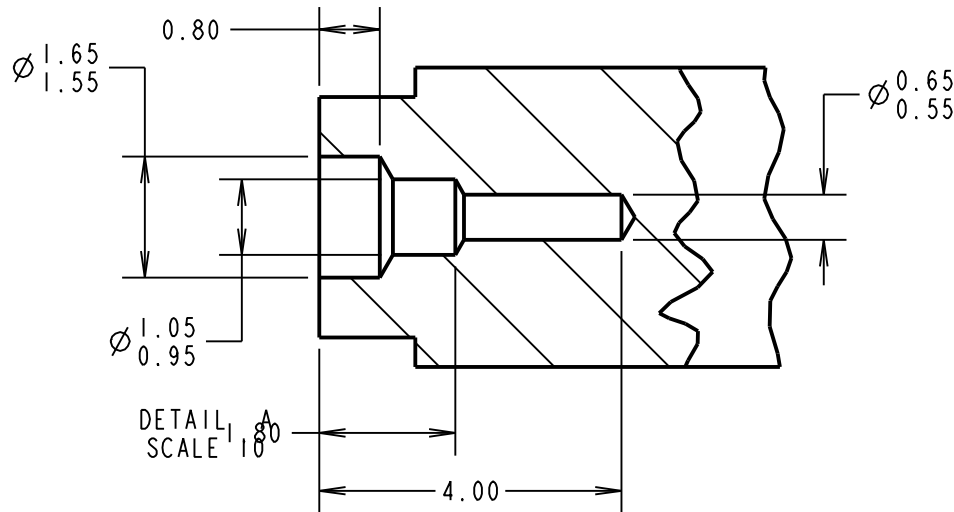


Customer Information Sheet

DRAWING No.: Z80-193 SHEET 2 OF 2 IF IN DOUBT - ASK © NOT TO SCALE THIRD ANGLE PROJECTION ALL DIMENSIONS IN mm



Z80-193 DATAPLATE



- NOTES:
1. TO BE USED WITH HAND CRIMP TOOL M22520/2-01 AND INSTRUCTION SHEET IS-01.
 2. SUITABLE FOR USE WITH M80-19400XX AND M80-19500XX MALE CRIMP CONTACTS FOR JACKSCREW DATAMATE.

MSP	3	28.10.15	13803
NAME	ISS.	DATE	C/NOTE
APPROVED:		M. PERREN	
CHECKED:		M. PLESTED	
DRAWN:		W. J. BOURNE	
CUSTOMER REF.:			
ASSEMBLY DRG:			

HARWIN

www.harwin.com
technical@harwin.com

THIS DRAWING AND ANY INFORMATION OR DESCRIPTIVE MATTER SET OUT HEREON ARE CONFIDENTIAL AND COPYRIGHT PROPERTY OF THE HARWIN GROUP AND MUST NOT BE DISCLOSED, LOANED, COPIED OR USED FOR MANUFACTURING, TENDERING OR FOR ANY OTHER PURPOSE WITHOUT THEIR WRITTEN PERMISSION.

TOLERANCES
 X. = ±1mm
 X.X = ±0.50mm
 X.XX = ±0.10mm
 X.XXX = ±0.01mm
 ANGLES = ±5°
 UNLESS STATED

MATERIAL:
FINISH:
S/AREA: mm²

TITLE:
 CRIMP TOOL POSITIONER
 FOR MALE CRIMP J/S DATAMATE
DRAWING NUMBER:
 Z80-193
 SHT 2 OF 2