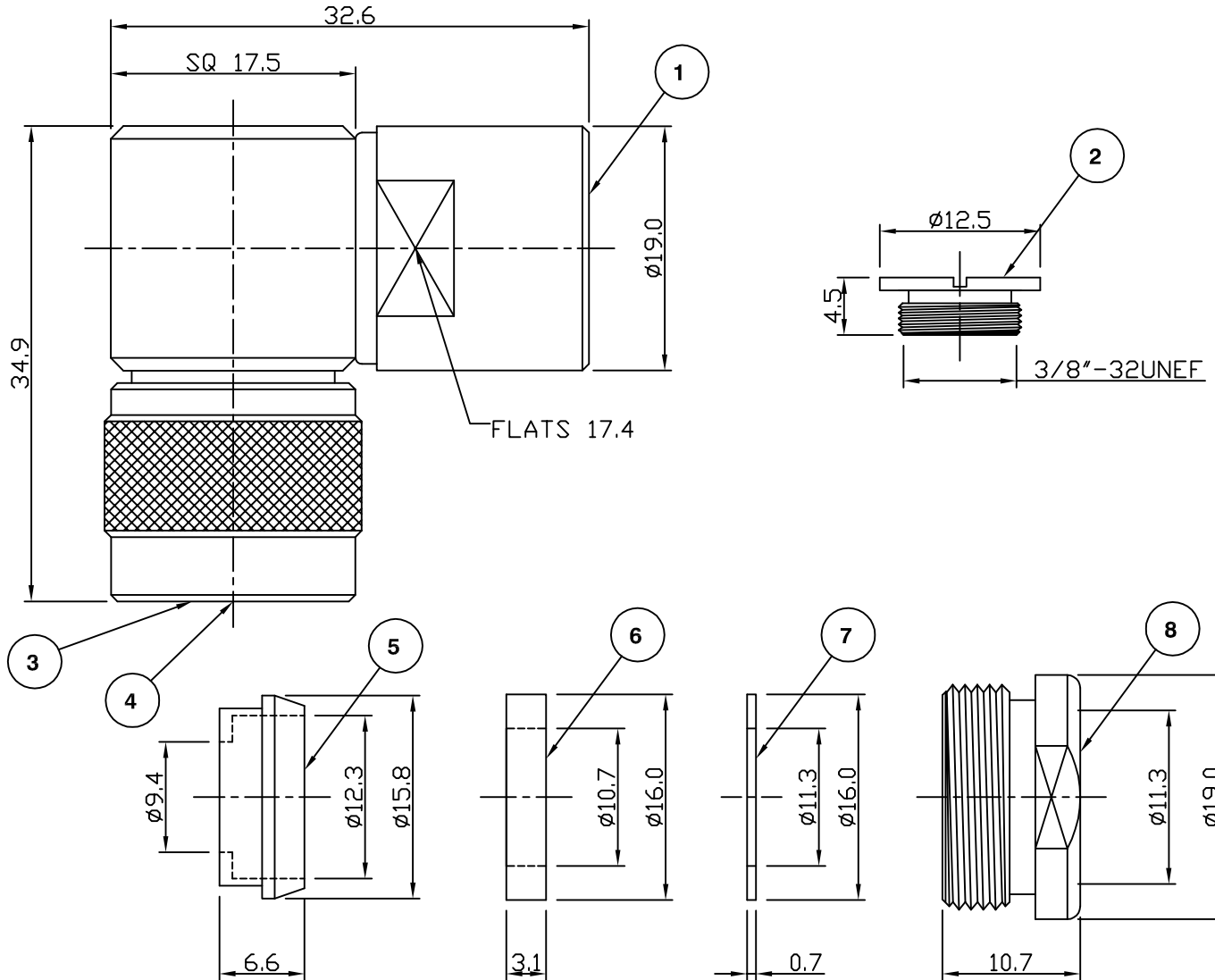


RoHS COMPLIANT



Electrical Characteristics

Nominal Impedance:	50 ohms
Frequency Range:	DC to 11 GHz
VSWR:	1.35:1 maximum
Insertion Loss:	0.17dB max
Operating Voltage (rms):	500 V maximum at sea level
Dielectric Withstand Voltage (rms):	2500 V maximum at sea level
Contact Resistance:	1.0 milliohms maximum
Insulation Resistance:	5000 megohms minimum

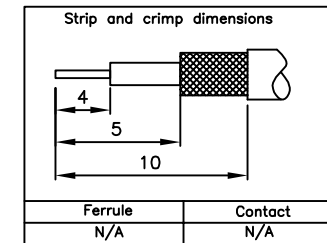
Mechanical Characteristics

Mating Cycles:	500 cycles minimum
Interface Dimensions:	Conform to MIL-C-39012

Environmental Characteristics

Temperature Range:	-65 °C to +165 °C
--------------------	-------------------

PART	DESCRIPTION
1	Body Brass, nickel plated
2	Cap Brass, nickel plated
3	Dielectric PTFE
4	Contact Brass, gold plated
5	Clamp Brass, nickel plated
6	Gasket Rubber
7	Washer Brass, nickel plated
8	Back Nut Brass, nickel plated



For stripping and assembly instructions see Drawing Number: VAIN2201

First Issue	SN	1	13 May 03
DESCRIPTION OF REVISION	APPVD	ISS	DATE



Cinch Connectivity Solutions
7-13 Russel Way,
Widford Industrial Estate,
Chelmsford, Essex,
CM1 3AA, UK.
Tel: +44 (0) 1245 359515
Fax: +44 (0) 1245 358938

SCALE: Not To Scale

DIMENSIONS: mm

TOLERANCES:
± 0.2mm unless
otherwise stated

DRAWN BY: S Nash

CHECKED BY: P Couzens

APPROVED BY: P Couzens

DATE: 13 May 03

TITLE:

N R/A Clamp Plug for
RG213

PART NUMBER:

VNS20-2020

PAGE: 1 of 1