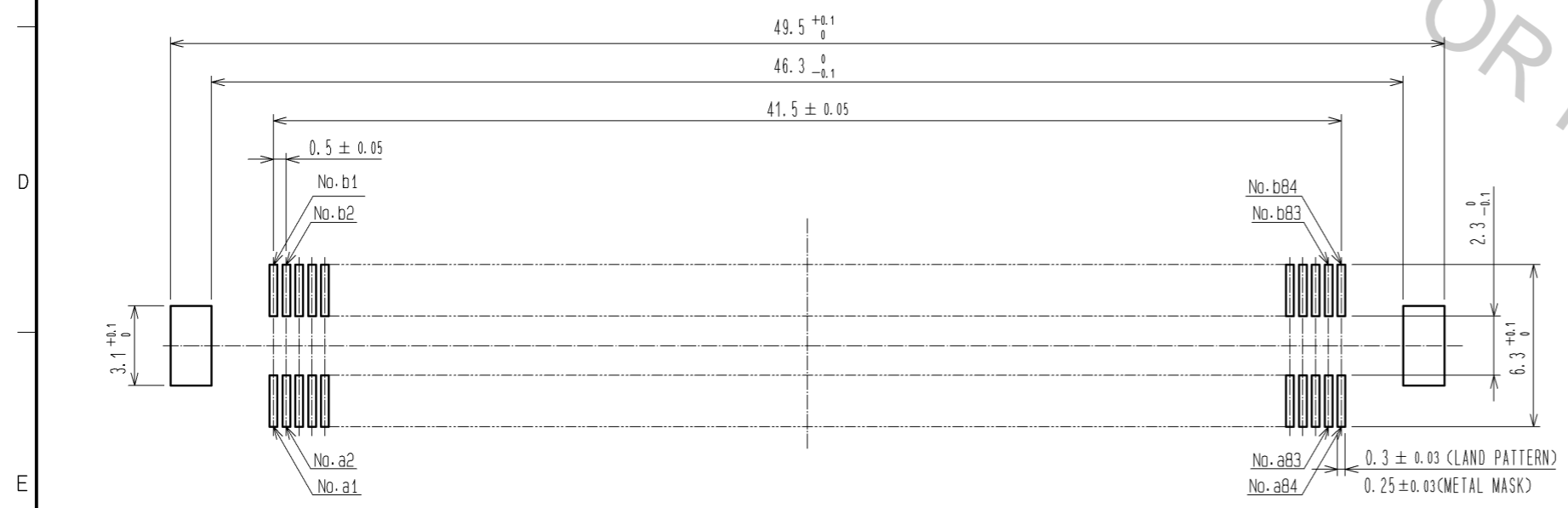


RECOMMENDED LAND PATTERN DIMENSION OF PCB
(RECOMMENDED METAL MASK THICKNESS:0.15mm)

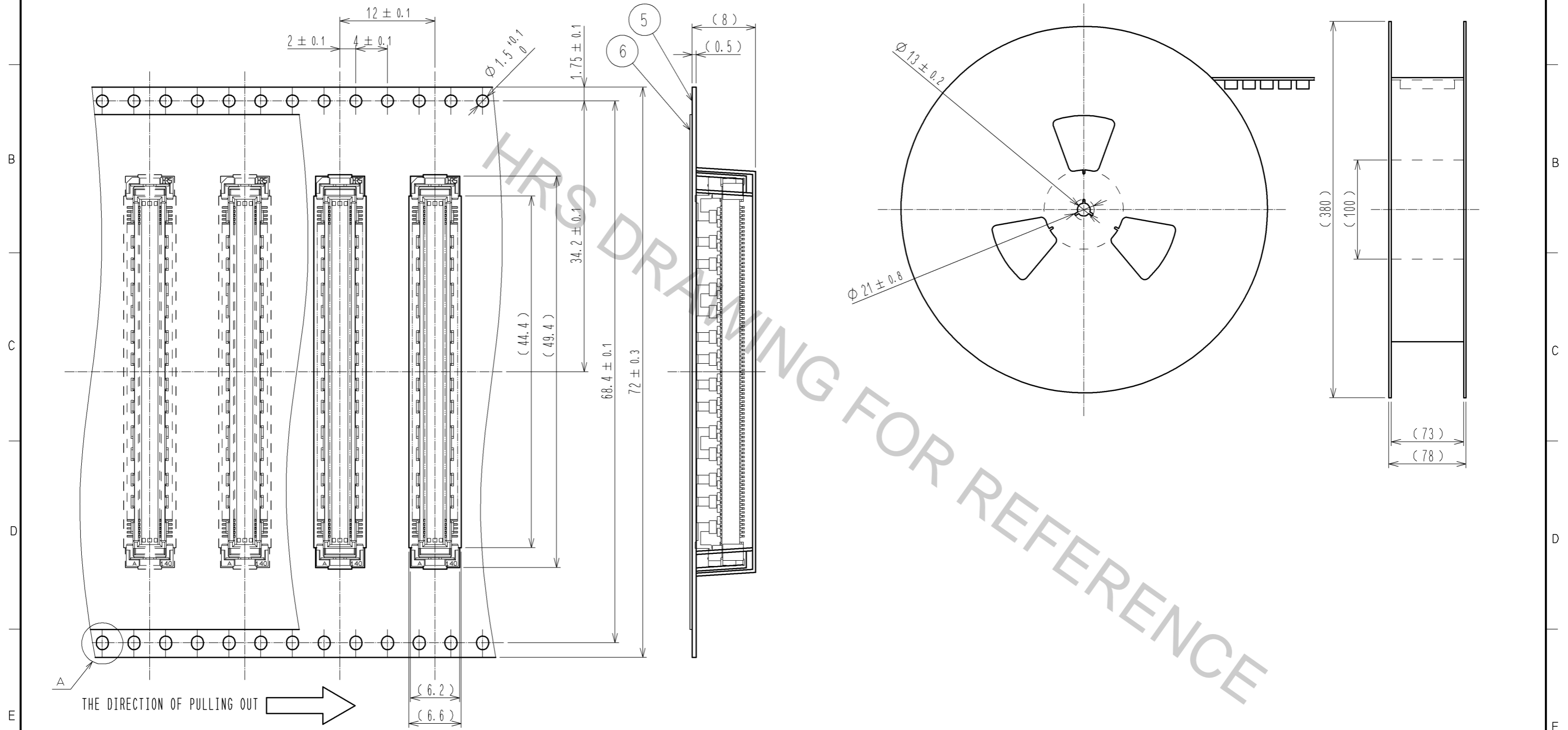


- NOTES
- 1 SMT LEAD-COPLANARITY:0.1 MAX.
 - 2 THIS PRODUCT HAS NO POLARITY TO PATTERN FOR MOUNTING.
 - 3 THE DIMENSIONS IN PARENTHESSES ARE FOR REFERENCE.
 - ④ STACKING HEIGHT FROM LEAD TO LEAD(REFERENCE DIMENSIONS)
 - ⑤ BOARD DISTANCE
 - ⑥ AREA IS VACUUM PICKUP AREA FOR REFERENCE.

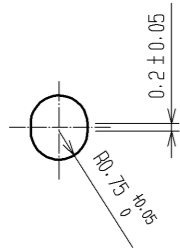
3	COPPER ARROY	CONTACT AREA:GOLD 0.76µm min.	6	PET	TOP COVER TAPE				
		LEAD AREA:GOLD 0.03µm min.	5	PS	EMBOSSSED CARRIER TAPE				
		UNDER PLATING:NICKEL 1.3µm min.	4	COPPER ARROY	SURFACE AREA:GOLD 0.03µm min. UNDER PLATING:NICKEL 1.3µm min.				
1, 2	LCP	BEIGE UL94V-0							
NO.	MATERIAL	FINISH . REMARKS	NO.	MATERIAL	FINISH . REMARKS				
UNITS mm			SCALE 4 : 1		COUNT	DESCRIPTION OF REVISIONS	DESIGNED	CHECKED	DATE
HRS HIROSE ELECTRIC CO., LTD.		APPROVED : HS. OKAWA	11.03.24	DRAWING NO. EDC3-330882-01					
		CHECKED : KI. HIROKAWA	11.03.24	PART NO. FX10B-168P-SV3(83)					
		DESIGNED : DK. AIMOTO	11.03.23	CODE NO. CL570-0305-0-83					
		DRAWN : DK. AIMOTO	11.03.23						

DRAWING FOR PACKING(2:1)

REELED DIMENSION(FREE)



A(5:1)



- NOTES 1 1REEL:800 CONNECTORS.
 2 MINIMUM 10 COMPARTMENTS FROM BOTH REEL ENDS REMAIN EMPTY.
 3 THIS PRODUCT HAS NO POLARITY TO TAPE AND REEL PACKAGING.
 4 THE DIMENSIONS IN PARENTHESES ARE FOR REFERENCE.

HRS	DRAWING NO.	EDC3-330882-01
	PART NO.	FX10B-168P-SV3(83)
	CODE NO.	CL570-0305-0-83
		\triangle 2/2