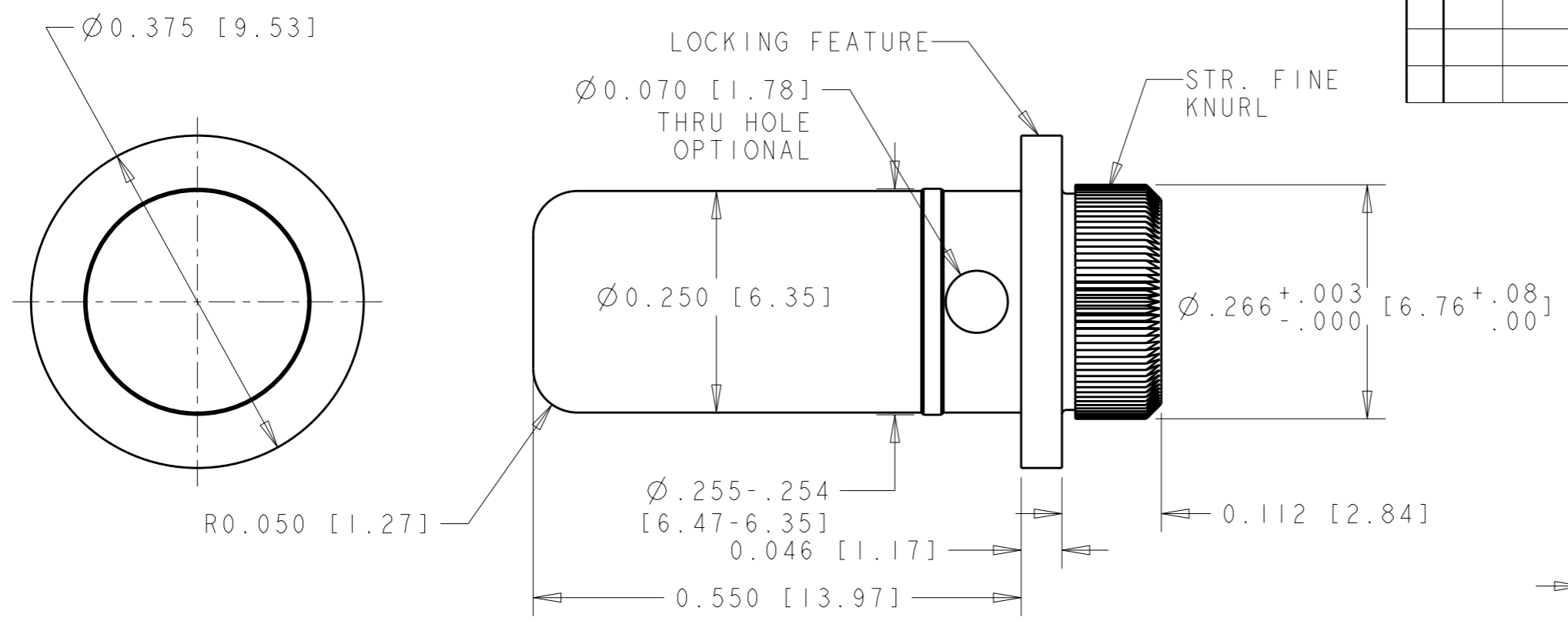


THIS DRAWING IS UNPUBLISHED. RELEASED FOR PUBLICATION 20
 © COPYRIGHT 20 BY TYCO ELECTRONICS CORPORATION. ALL RIGHTS RESERVED.

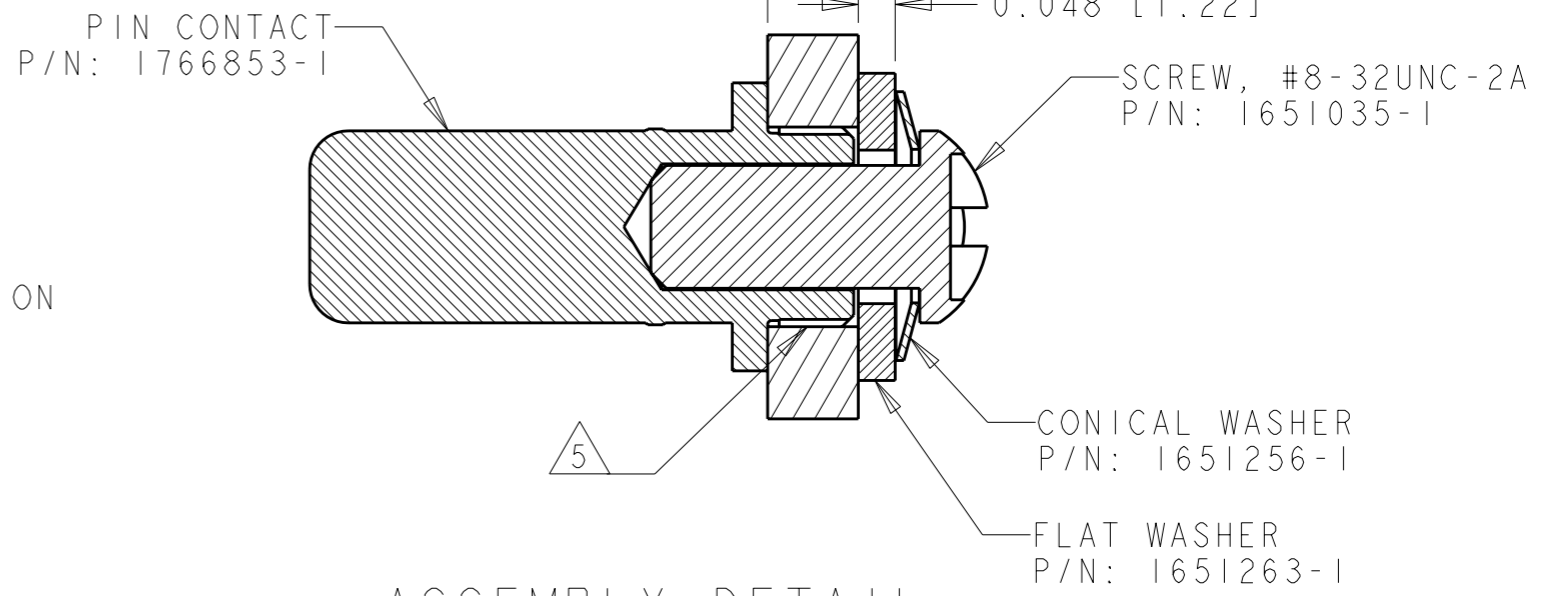
LOC	DIST	REVISIONS			
P	LTR	DESCRIPTION	DATE	DWN	APVD
GP	00	B	REVISED PER ECO-07-009904	01MAY2007	GIP DO



- PART NUMBER CHANGES AND/OR DESIGN CHANGES AFFECTING ITEM INTERCHANGEABILITY REQUIRE PRIOR TYCO APPROVAL AND AUTHORIZATION BY REVISION TO THIS DRAWING.
- ITEMS PROVIDED TO THIS SPECIFICATION SHALL BE IDENTIFIED ON THE CONTAINER WITH THE FOLLOWING INFORMATION:
PART NUMBER & DATE CODE OF MANUFACTURE.

- 3 MATERIAL: PIN CONTACT: COPPER ALLOY
CONICAL WASHER: SPRING STEEL
SCREW & FLAT WASH.: STEEL
- 4 FINISH: PIN CONTACT: SILVER PLATE .00020 MIN THICK
OVER NICKEL .000040 MIN THICK.
SCREW: NICKEL PLATE
CONICAL & FLAT WASH.: NICKEL PLATE

5 RECOMMENDED HOLE DIAMETER AFTER PLATING:
 $\varnothing .260^{+.003}/.001 [6.60^{+.07}/-.03]$.



ASSEMBLY DETAIL

6648224-1
PART NUMBER

THIS DRAWING IS A CONTROLLED DOCUMENT FOR TYCO ELECTRONICS CORPORATION IT IS SUBJECT TO CHANGE AND THE CONTROLLING ENGINEERING ORGANIZATION SHOULD BE CONTACTED FOR THE LATEST REVISION.		DWN G.PETERS 01MAY2007	Tyco Electronics Harrisburg, PA 17105-3608	
DIMENSIONS: INCHES		CHK D.ORRIS 01MAY2007	NAME PIN CONTACT, SIZE #4, SCREW MOUNT, LOCKING STYLE, PRESS FIT	
TOLERANCES UNLESS OTHERWISE SPECIFIED:		APVD S.FLICKINGER 01MAY2007	PRODUCT SPEC -	
0 PLC ±-		APPLICATION SPEC -	RESTRICTED TO -	
1 PLC ±-		WEIGHT -	SIZE A300779 CAGE CODE C-6648224	
2 PLC ±.02[.5]		CUSTOMER DRAWING	SCALE	
3 PLC ±.010[.25]			SHEET OF	
4 PLC ±-			REV B	
ANGLES ±.5				
MATERIAL -				
FINISH -				