

LOC		DIST		REVISIONS			
P	LTR	DESCRIPTION		DATE	DWN	APVD	
		B1	SEE PRODUCTION DRAWING	30APR2010	LG	GB	

SEE PRODUCTION DRAWING
1852714


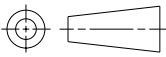
20

RELEASED FOR PUBLICATION

THIS DRAWING IS UNPUBLISHED.

BY TYCO ELECTRONICS CORPORATION. ALL RIGHTS RESERVED.

© COPYRIGHT 20

DIMENSIONS: IN		DWN L. GROSS	30APR2010	MATERIAL	FINISH
TOLERANCES UNLESS OTHERWISE SPECIFIED:		CHK G. BAILEY	30APR2010	 Tyco Electronics Harrisburg, PA 17105-3608	<h1 style="color: red; opacity: 0.5;">PRELIMINARY</h1>
0 PLC ±- 1 PLC ±- 2 PLC ±- 3 PLC ±- 4 PLC ±- ANGLES ±-		APVD N. DEMING	30APR2010		
		PRODUCT SPEC		NAME SIDE FEED HDM APPLICATOR, SMALL TERMINAL	
		APPLICATION SPEC		SIZE	CAGE CODE
		WEIGHT		DRAWING NO	
CUSTOMER DRAWING		A4		00779	
		SCALE		DRAWING NO	
		SHEET		RESTRICTED TO	
		OF		-	
		REV		B1	