

5

4

3

2

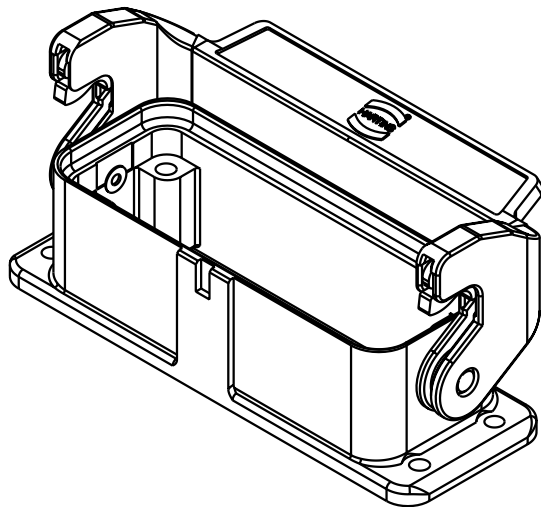
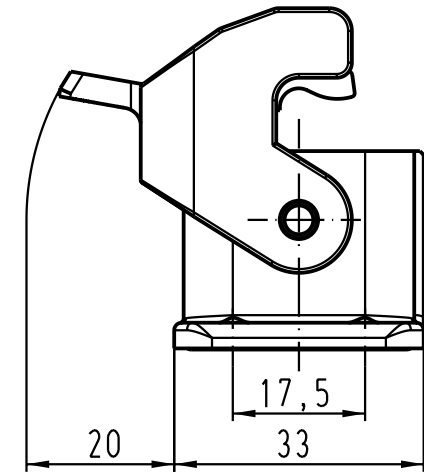
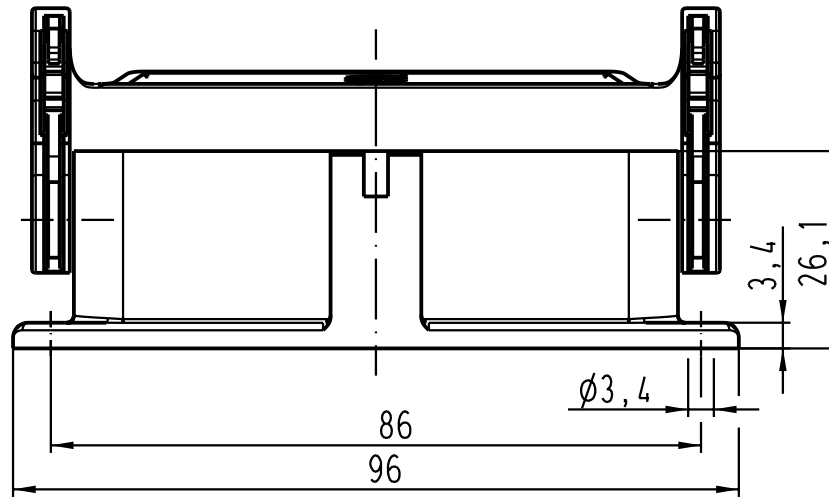
1



D

C

B

A



|   |          |      |                                |          |      |   |  |  |             |
|---|----------|------|--------------------------------|----------|------|---|--|--|-------------|
|  All Dimensions in mm<br>Original Size DIN A 4 |          |      | Techn. Character.              |          |      | Nicht tolerierte Masse! Free size tolerances  |  |  |             |
|   |          |      |                                | Dat.     | Name | Massstab/Scale  |  |  |             |
|   |          |      | Detail.                        | 08.03.94 | ZILK | 1:1   |  |  |             |
|   |          |      | Insp.                          |          | FER. |   |  |  |             |
|   |          |      | Stand.                         |          |      |   |  |  |             |
| 410711  | 06.10.03 | Ho   | HARTING Electric GmbH & Co. KG |          |      |  |  |  |             |
| Mod.  | Dat.     | Name | D-32339 Espelkamp              |          |      |   |  |  |             |
|   |          |      |                                |          |      | TB 09 62 025 0301   |  |  | Blatt/ page |
|   |          |      |                                |          |      | Sub.  |  |  | /           |