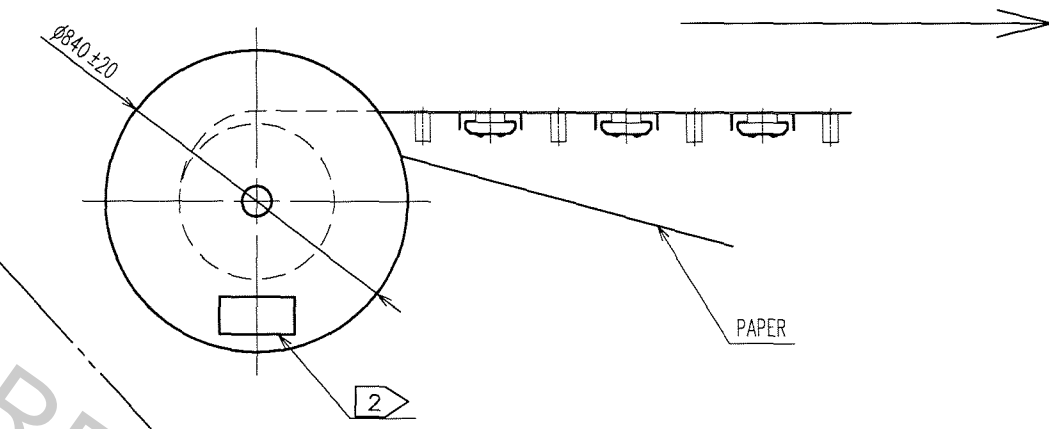
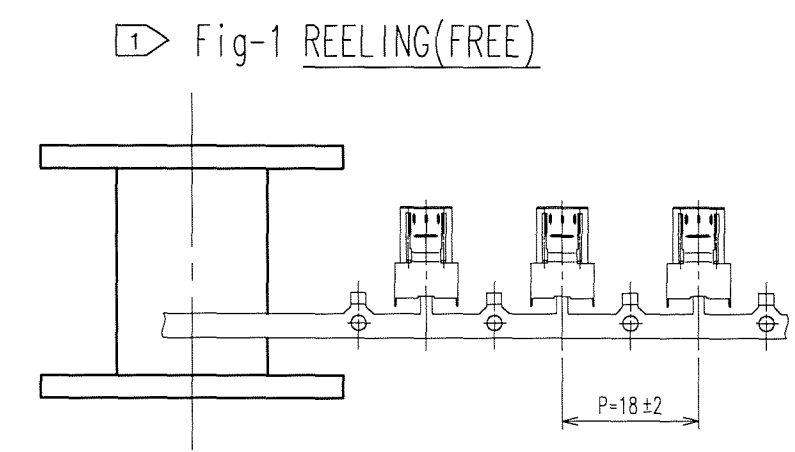
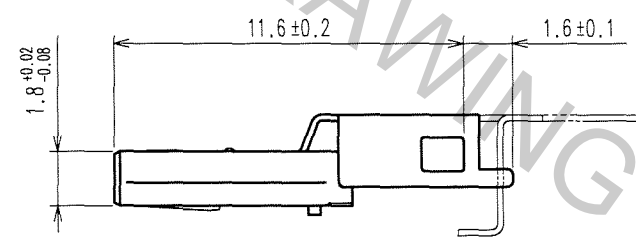
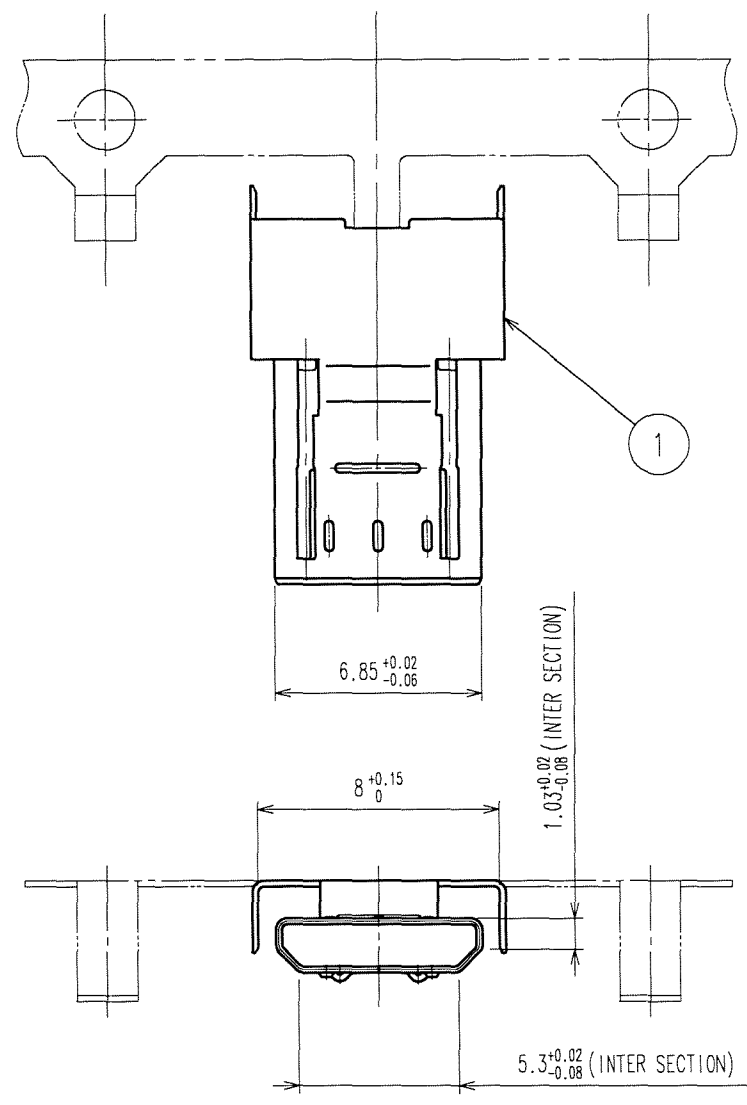
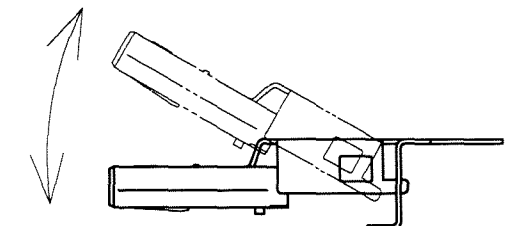
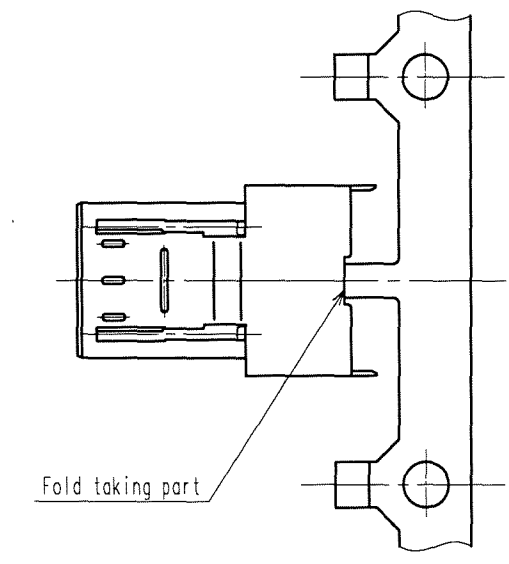
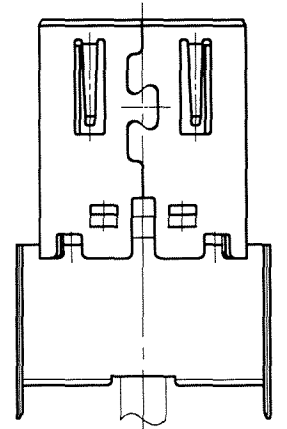


Apr.1.2017 Copyright 2017 HIROSE ELECTRIC CO., LTD. All Rights Reserved.

COUNT	DESCRIPTION OF REVISIONS	BY	CHKD	DATE	COUNT	DESCRIPTION OF REVISIONS	BY	CHKD	DATE



3 Fig-2 CUT OFF A CAREER(FREE)



- NOTE
- 1 This is delivered by a reel.QTY:4000pcs.
 - 2 Shown on a reel and a box is ; "Part No.", "Code No.", "Lot No.", "QTY"
 - 3 Cut off a career as shown in Fig-2.

1	STAINLESS STEEL	Nickel 0.1 μm min.
NO.	MATERIAL	FINISH, REMARKS

CODE NO. (OLD)	DRAWN	DESIGNED	CHECKED	APPROVED	RELEASED
	<i>P. Sakajawa</i>	<i>P. Sakajawa</i>	<i>H. Tanaka</i>	<i>[Signature]</i>	
	07.03.06	07.03.06	07.03.06	07.03.06	
SCALE	DRAWING NO.		PART NO.		
4 : 1	EDC3-126148		ZX20-B-SLDC		
UNITS	HIROSE ELECTRIC CO., LTD		CODE NO.		
mm	HRS		CL242-0022-1		

TO