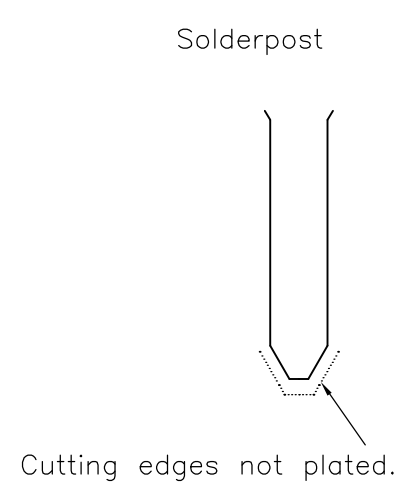
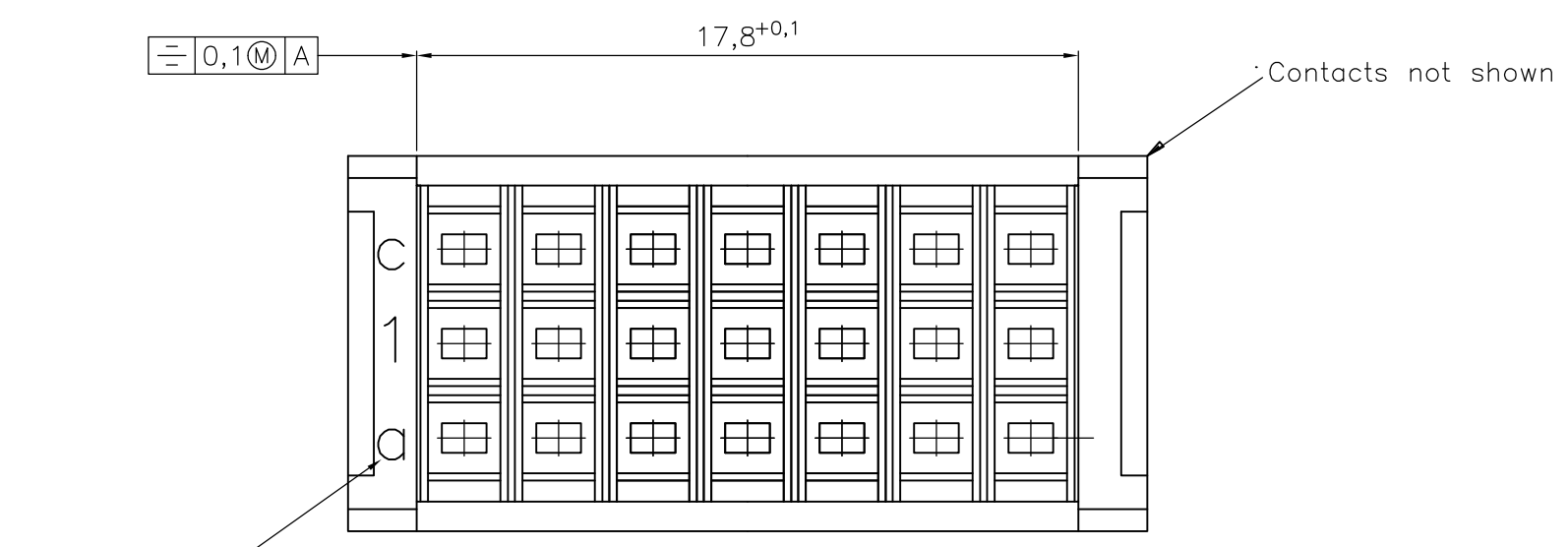


THIS DRAWING IS UNPUBLISHED. RELEASED FOR PUBLICATION
 © COPYRIGHT BY TYCO ELECTRONICS CORPORATION. ALL INTERNATIONAL RIGHTS RESERVED.

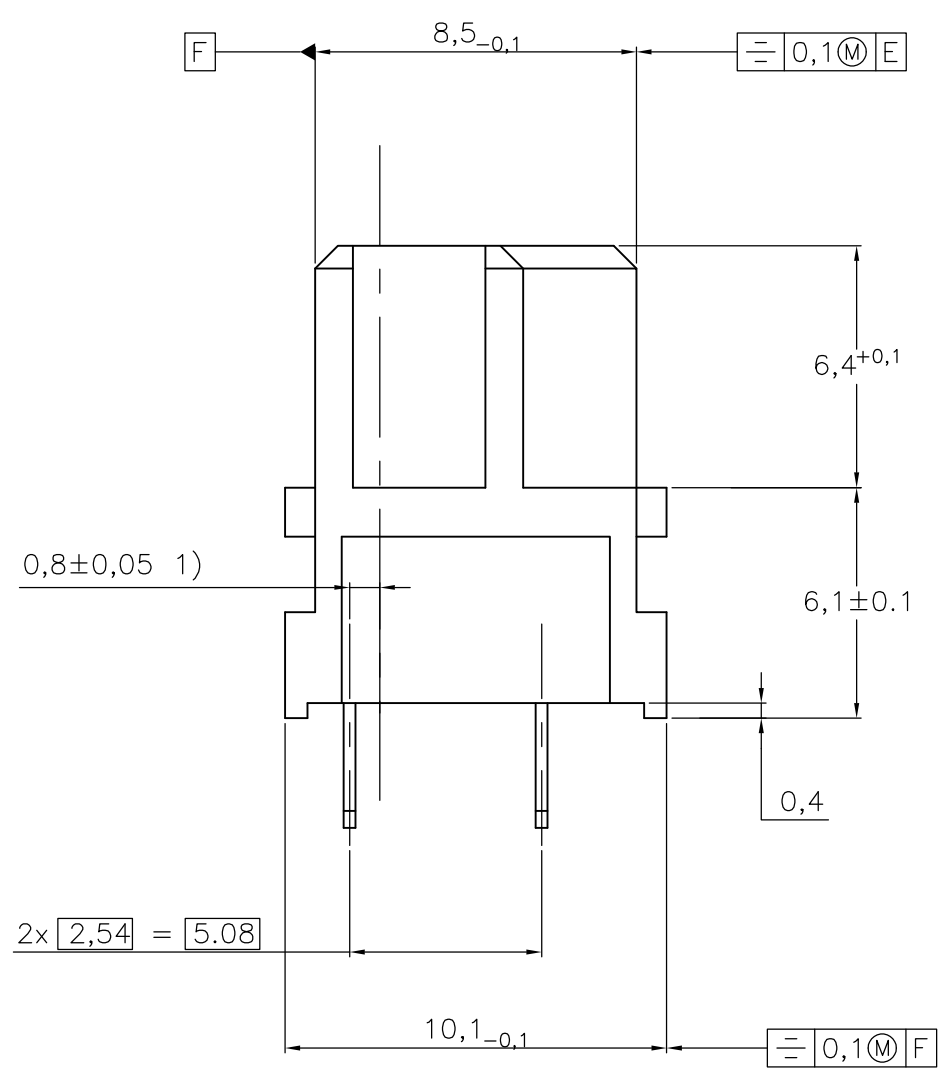
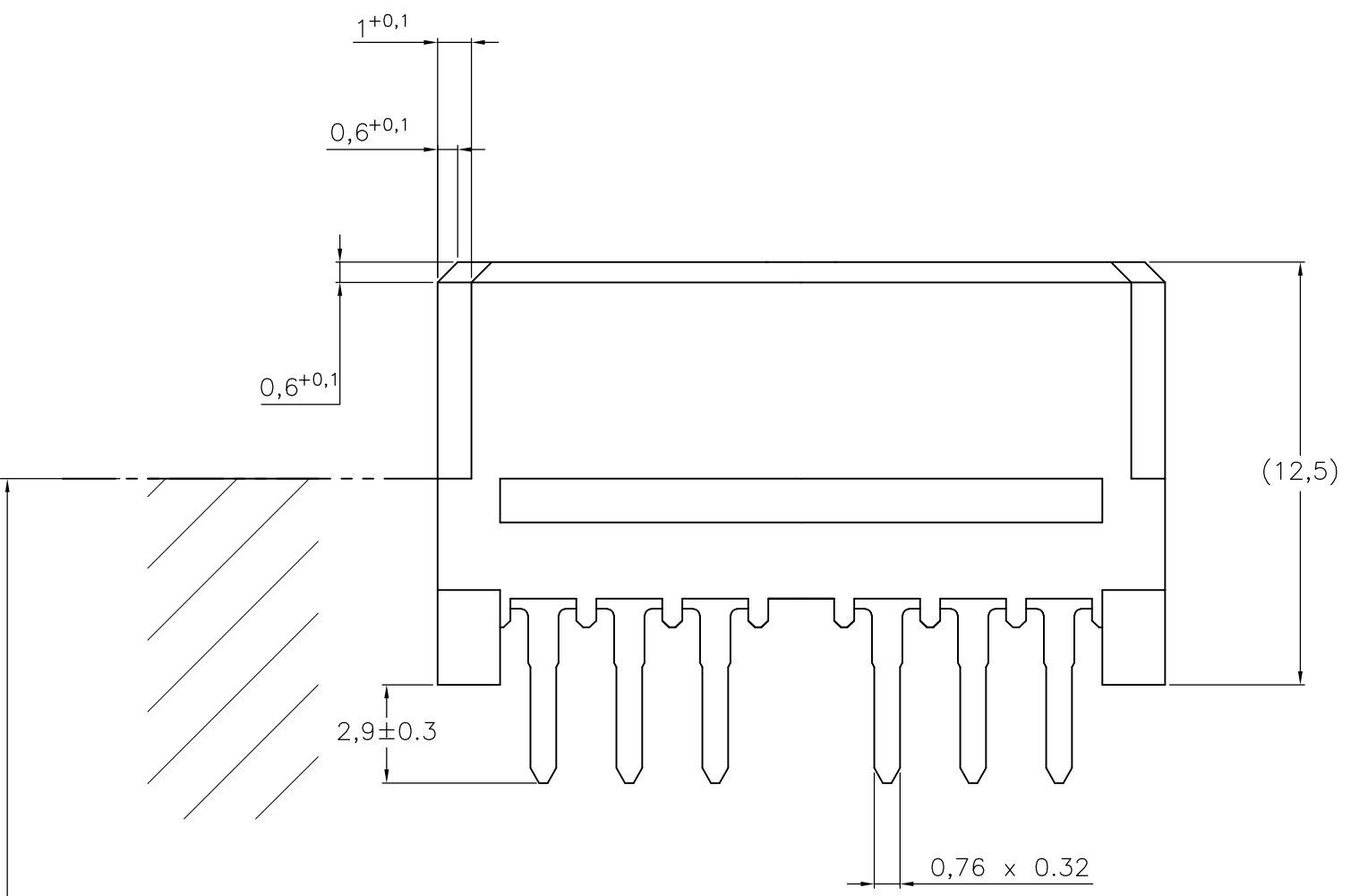
LOC	DIST	REVISIONS					
		P	LTR	DESCRIPTION	DATE	DWN	APVD
H	-		A	WO 00/7012	20-07-09	-	VS
			B	SR10-0250-02	24-05-02	-	BC
			B1	ECR-09-015706	24-11-09	AEG	MKO



Loading Pattern (12 contacts)

	1	2	3	4	5	6	7
Row a	+	+	+	o	+	+	+
Row b	o	o	o	o	o	o	o
Row c	+	+	+	o	+	+	+

+ = contact
o = no contact

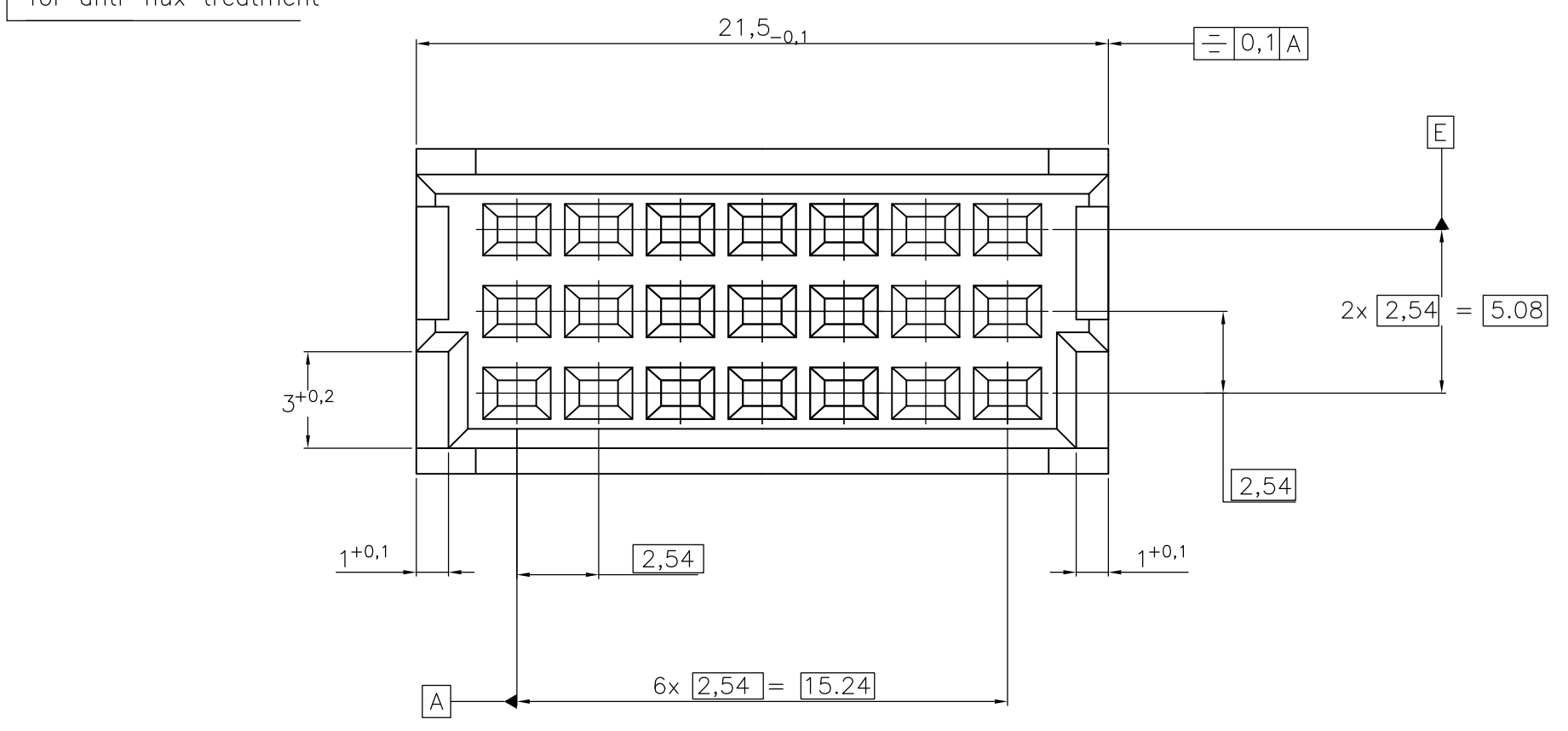


Specifications acc. IEC 603-2. Performance Level 2

Housing : PBTP 30% Glasfilled (UL94-V0)
Pebblegrey similar RAL 7032

Contact material : Copper Alloy

Plating : Contact area : PdNi+Au or Au
Termination area : Sn with flux-tight coating.



1) Center-displacement between termination- and contact-side.

Active Partnumber. Contact Tyco Electronics for other configuration availability

Old Partnumber	TE part number
V42254-F2299-R3	1393657-2

THIS DRAWING IS A CONTROLLED DOCUMENT.		DWN Cuvelier	10JUN98	Tyco Electronics Corporation 's-Hertogenbosch, Nederland	
DIMENSIONS: mm		CHK -	APVD PD COM	NAME Receptacle Ass'y, Type R, 21 pos. V42254-F2299-R3-*--26	
TOLERANCES UNLESS OTHERWISE SPECIFIED:		PRODUCT SPEC -	APPLICATION SPEC -	SIZE A2	CAGE CODE 00779
MATERIAL		FINISH	WEIGHT -	DRAWING NO C=1393657-2	
0 PLC ± -		CUSTOMER DRAWING		SCALE 5:1;10:1	SHEET 1 of 1
1 PLC ± -				REV B1	
2 PLC ± -					
3 PLC ± -					
4 PLC ± -					
ANGLES ± -					

1393657-2