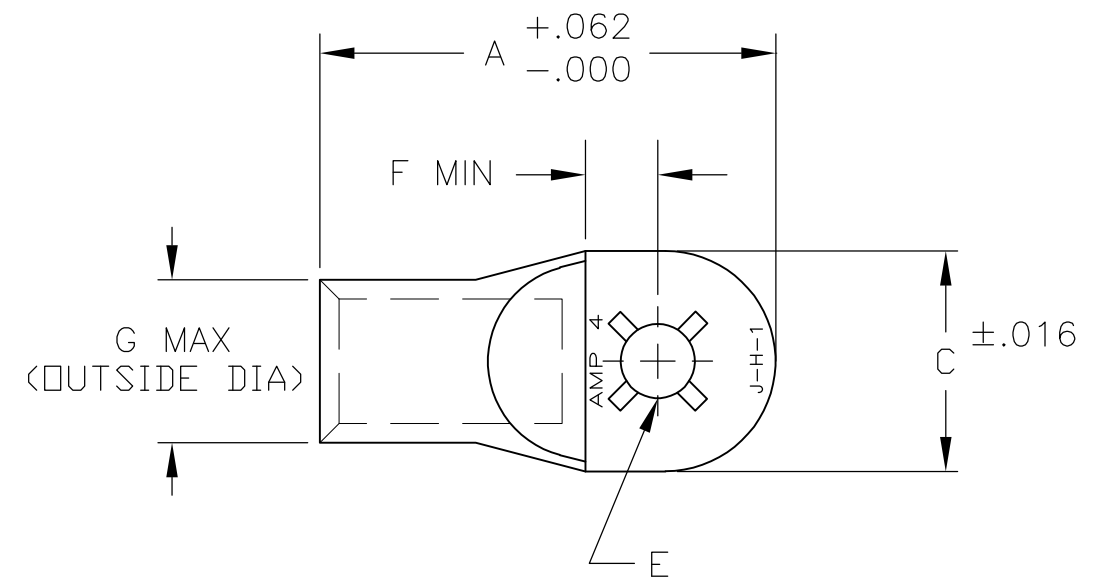
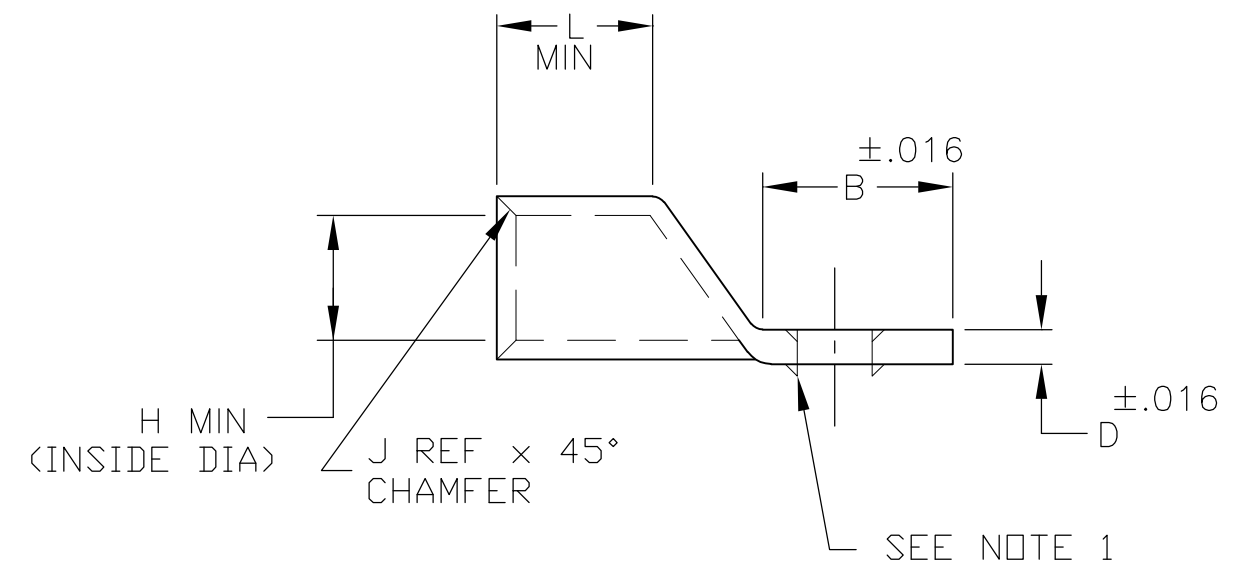


THIS DRAWING IS UNPUBLISHED. RELEASED FOR PUBLICATION
 © COPYRIGHT BY TYCO ELECTRONICS CORPORATION. ALL RIGHTS RESERVED.

| LOC | DIST | REVISIONS | | | | | |
|-----|------|-----------|-----|-----------------------|---------|-----|------|
| G | 86 | P | LTR | DESCRIPTION | DATE | DWN | APVD |
| | | D1 | | REV PER ECR 08-015124 | 13JUN08 | JR | CK |



1. LOCKING LANCE FOR P/N -3 ONLY.



| .375 | .748 MIN | .032 | .301 | .454 | .429 | ø.394 | .138 | .630 | .843 | 1.925 | 606289-5 |
|--------------------|----------|------|------|------|------|-------|------|------|-------|-------|-------------|
| .500 | .748 MIN | .032 | .301 | .454 | .543 | ø.512 | .109 | .750 | 1.075 | 2.187 | 606289-4 |
| .375 | .748 MIN | .032 | .301 | .454 | .424 | ø.394 | .141 | .641 | .831 | 1.906 | 606289-3 |
| .312 | .748 MIN | .032 | .301 | .454 | .356 | ø.328 | .141 | .641 | .732 | 1.813 | 606289-2 |
| .250 | .748 MIN | .032 | .301 | .454 | .309 | ø.265 | .141 | .641 | .591 | 1.693 | 606289-1 |
| BOLT HOLE SIZE | L | J | H | G | F | E | D | C | B | A | PART NUMBER |
| DIMENSIONS, INCHES | | | | | | | | | | | |

| | | | | | | | | | | | | | | |
|--|---------|-------------------------------|---|----------------------------|---|-------|---|-------|-------|-------|--------|-------|---------|--------|
| THIS DRAWING IS A CONTROLLED DOCUMENT. | | DWN L. HALL 18APR00 | <p>Tyco Electronics Corporation Harrisburg, PA 17105</p> <h1 style="color: red; opacity: 0.5;">OBSOLETE</h1> <h2 style="color: red; opacity: 0.5;">NOT the LATEST REVISION</h2> | | | | | | | | | | | |
| DIMENSIONS: INCHES | | CHK L.H. SMITH 12MAY00 | | | | | | | | | | | | |
| TOLERANCES UNLESS OTHERWISE SPECIFIED: | | APVD B. ANTHONY 12MAY00 | | | | | | | | | | | | |
| <table border="0"> <tr><td>0 PLC</td><td>±</td></tr> <tr><td>1 PLC</td><td>±</td></tr> <tr><td>2 PLC</td><td>± .02</td></tr> <tr><td>3 PLC</td><td>± .005</td></tr> <tr><td>4 PLC</td><td>± .0005</td></tr> <tr><td>ANGLES</td><td>± 3°</td></tr> </table> | | 0 PLC | | | ± | 1 PLC | ± | 2 PLC | ± .02 | 3 PLC | ± .005 | 4 PLC | ± .0005 | ANGLES |
| 0 PLC | ± | | | | | | | | | | | | | |
| 1 PLC | ± | | | | | | | | | | | | | |
| 2 PLC | ± .02 | | | | | | | | | | | | | |
| 3 PLC | ± .005 | | | | | | | | | | | | | |
| 4 PLC | ± .0005 | | | | | | | | | | | | | |
| ANGLES | ± 3° | | | | | | | | | | | | | |
| MATERIAL HIGH CONDUCTIVITY WROUGHT COPPER | | FINISH ELECTRO TIN PLATE | PRODUCT SPEC | AMP TUBULAR TERMINAL 4 AWG | | | | | | | | | | |
| | | WEIGHT | APPLICATION SPEC | RESTRICTED TO | | | | | | | | | | |
| | | CUSTOMER DRAWING | SIZE A3 | CAGE CODE 00779 | | | | | | | | | | |
| | | | DRAWING NO C-606289 | SCALE 1:1 | | | | | | | | | | |
| | | | SHEET 1 OF 1 | REV D1 | | | | | | | | | | |