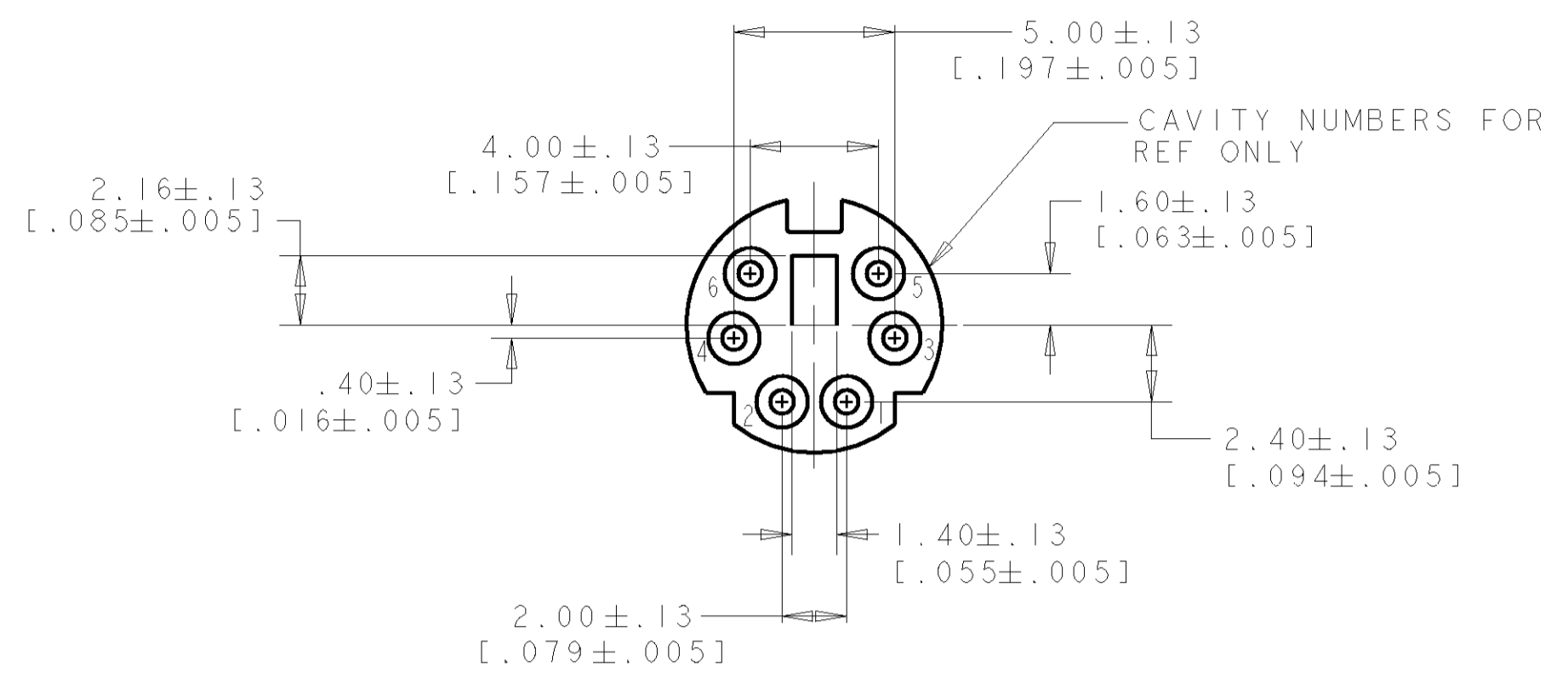
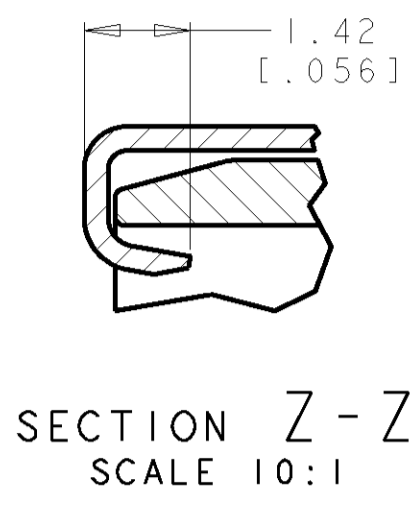
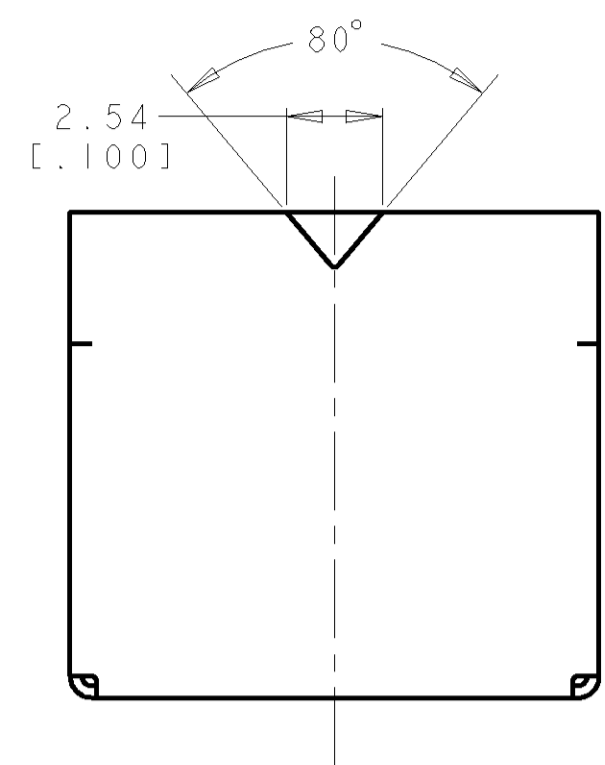
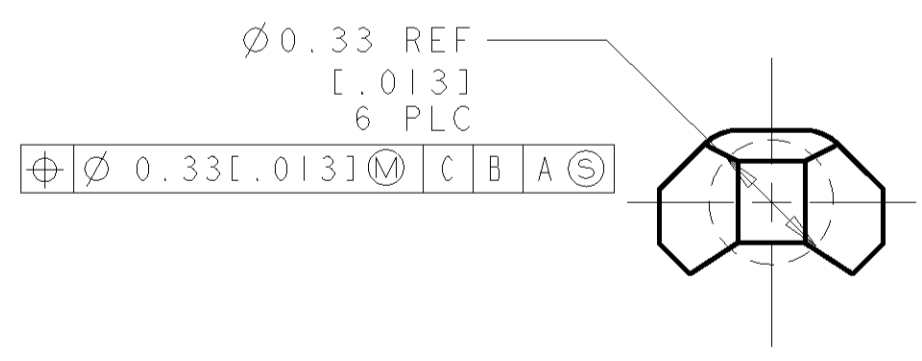
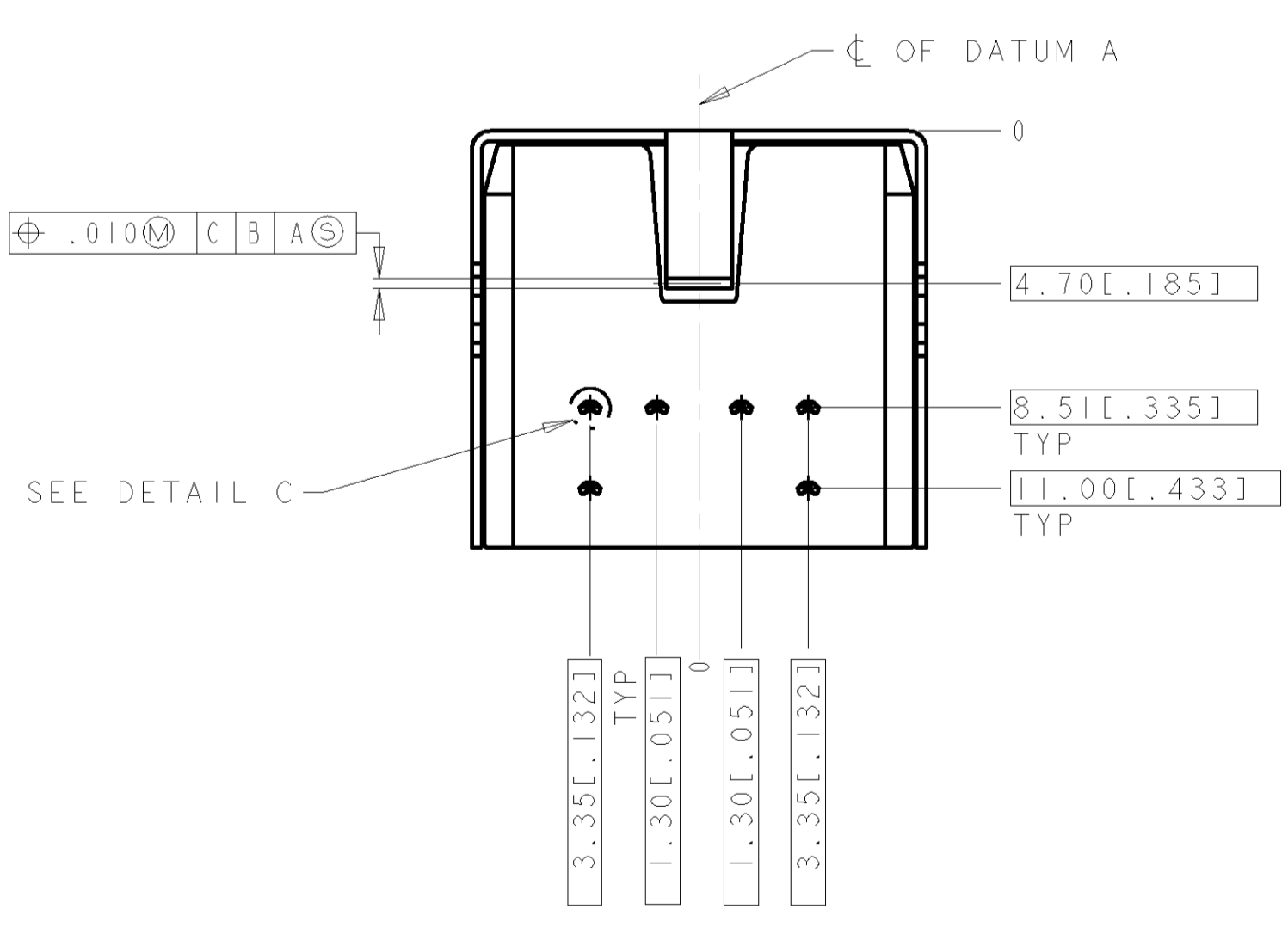
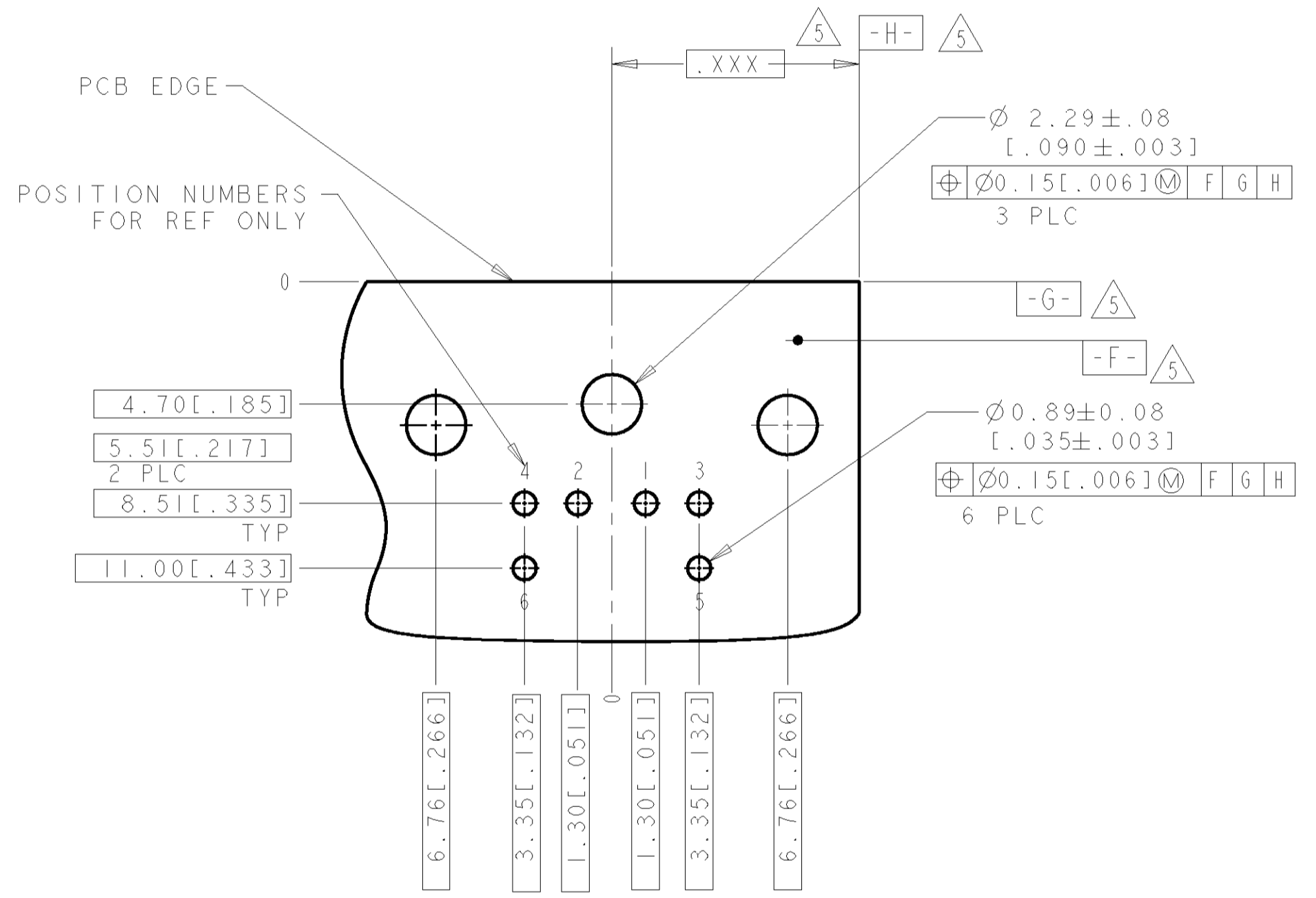
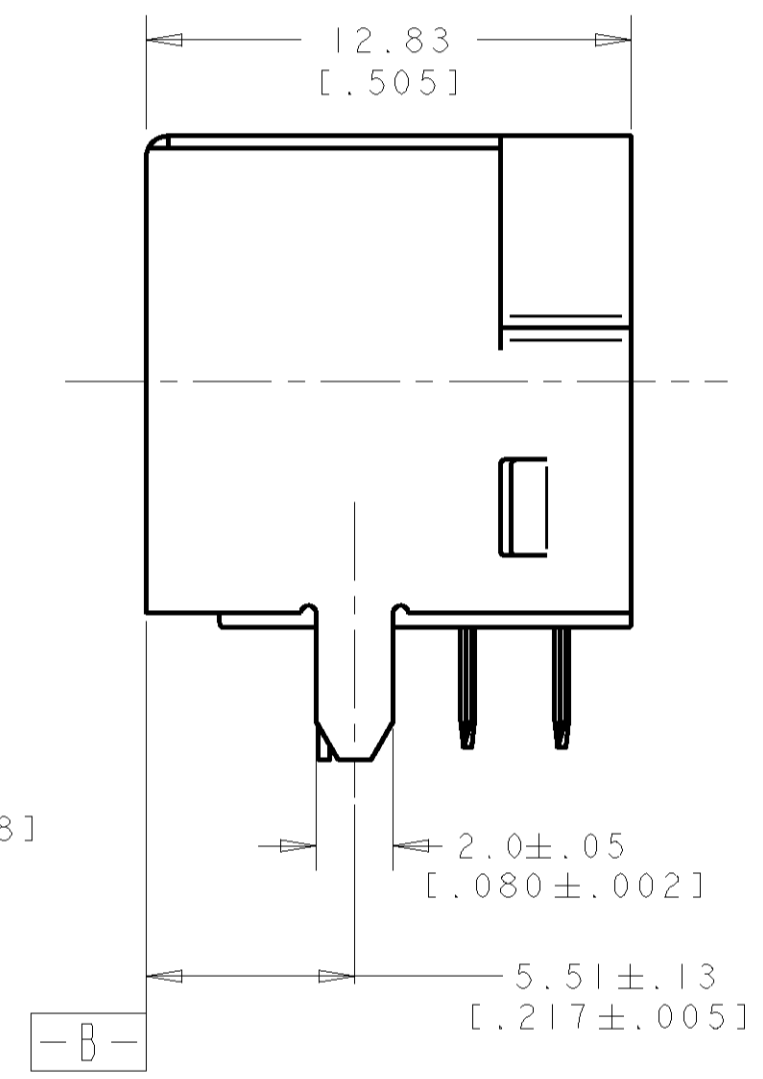
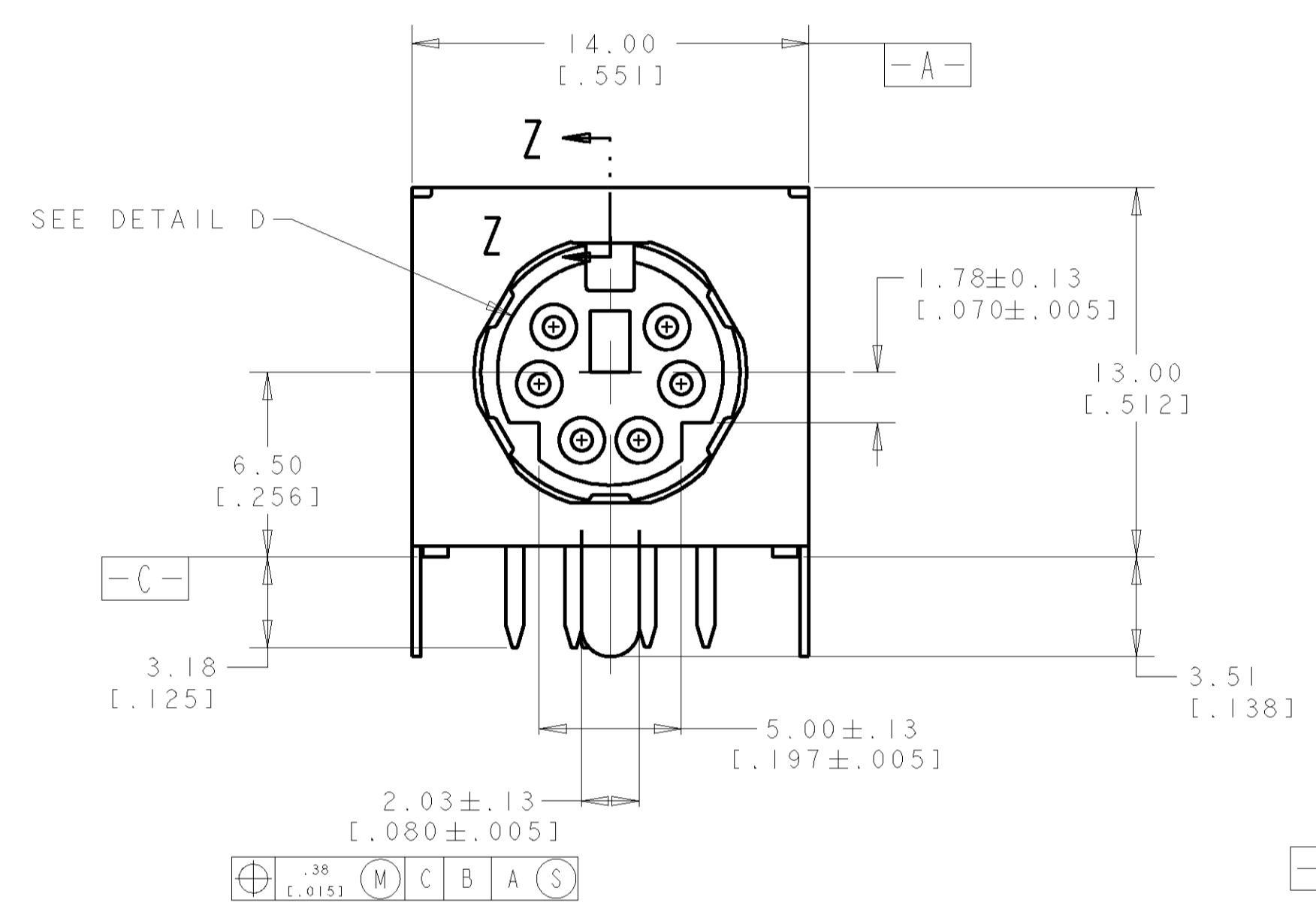


LOC	DIST	REV	DATE	BY	CHKD	APPRD
01	01	P	19MAR11	RK	HMR	



- △ RECEPTACLE CONTACTS: COPPER ALLOY.  
RECEPTACLE SHIELD: COPPER ALLOY.  
HOUSING: THERMOPLASTIC, BLACK, 94V-0 RATED.
- △ PLATING:  
RECEPTACLE CONTACTS - GOLD FLASH PLATED ON MATING END, MATTE-TIN PLATED .0030 MIN [.000120 MIN] THICK ON SOLDER TAIL ALL OVER .0013 MIN [.000050 MIN] THICK NICKEL.
- △ PLATING:  
SHIELD: PRE-TIN PLATED
- 4. RECEPTACLE ASSEMBLY MATES WITH 6 PIN 9.00±.10 [.354±.004] DIAMETER PLUG.
- △ DATUMS AND BASIC DIMENSION SUPPLIED BY CUSTOMER.



6 PIN PCB LAYOUT  
BOTTOM VIEW

DETAIL C  
SCALE 50:1

P/N: 5749265-1 AS SHOWN

DIMENSIONS: mm [INCHES]		TOLERANCES UNLESS OTHERWISE SPECIFIED:		DWN: WYLEE 04JAN2005		REV: SF LEONG		NAME: RECEPTACLE ASSY, 6 POS., RIGHT ANGLE, MINIATURE CIRCULAR DIN	
0 PLC ±		1 PLC ±		2 PLC ±		3 PLC ±		4 PLC ±	
5 PLC ±0.38 [.015]		6 PLC ±		APPROD: SF LEONG		PRODUCT SPEC: 108-1225		APPLICATION SPEC: -	
MATERIAL: △		FINISH: △ △		WEIGHT: -		SIZE: A1		CAGE CODE: 00779	
DRAWING NO: C=5749265		SCALE: 5:1		SHEET: 1 OF 1		REV: P		CUSTOMER DRAWING	