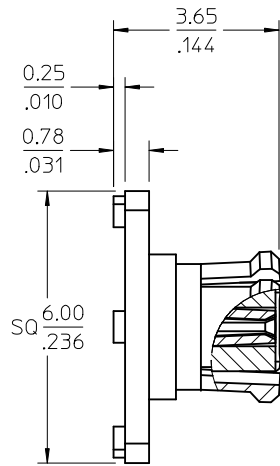


MATERIALS AND FINISHES

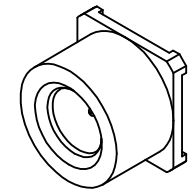
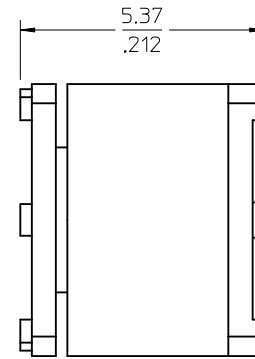
BODY BRASS
PLATED GOLD

CENTER CONTACT BRASS
PLATED GOLD

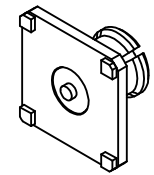
INSULATOR TEFLON



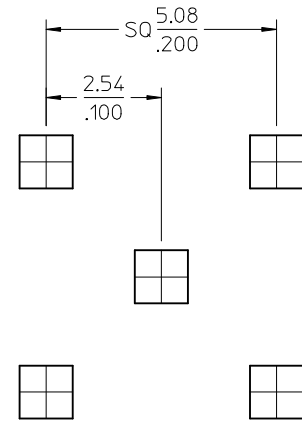
MOD SMP JACK
(MOLEX 73415-5300)



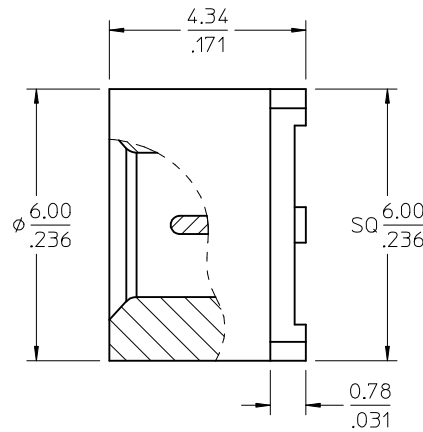
MOD SMP PLUG
(MOLEX 73415-5590)



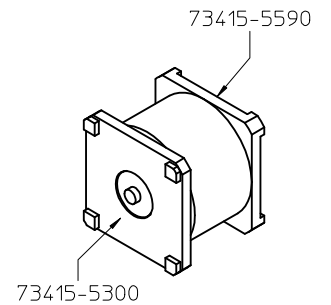
MOD SMP JACK
(MOLEX 73415-5300)



RECOMMENDED PCB LAYOUT



MOD SMP PLUG
(MOLEX 73415-5590)



73415-5592	TAPE AND REEL PACKAGING WITH KAPTON
73415-5591	TAPE AND REEL PACKAGING WITHOUT KAPTON
73415-5590	TRAY
PART NO.	DESCRIPTION

CHG: UPDATED PACKAGING TO -5590 PER RF15-E301	EC NO: URF2016-0155	2015/08/27	QUALITY SYMBOLS ▽=0 ▽=0 ▽=0
	DRWR:YEH	2015/09/01	
CHKD:		2015/09/01	DESCRIPTION
APP:YCHENG		2015/09/01	REV
A4			

GENERAL TOLERANCES (UNLESS SPECIFIED)	
	MM/IN
4 PLACES	± .010 / ± .0004
3 PLACES	± .010 / ± .0004
2 PLACES	± .010 / ± .0004
1 PLACE	± .010 / ± .0004
0 PLACE	± .010 / ± .0004
ANGULAR ± 2 °	
DRAFT WHERE APPLICABLE MUST REMAIN WITHIN DIMENSIONS	

DIMENSION STYLE	
MM/IN	
DRAWN BY	DATE
JM	2005/10/06
CHECKED BY	DATE
JM	2005/10/06
APPROVED BY	DATE
JDW	2005/10/06
MATERIAL NO.	
SEE TABLE	
SIZE	
C	

SCALE	DESIGN UNITS	THIRD ANGLE PROJECTION
12:1	METRIC	☑
TITLE		
MOD SMP PLUG, PCB, SMT		
50 OHMS, EWR-2926		
SMP-P/PCB/SMT		
molex		
DOCUMENT NO.		SHEET NO.
SD-73415-559		1 OF 1

THIS DRAWING CONTAINS INFORMATION THAT IS PROPRIETARY TO MOLEX INCORPORATED AND SHOULD NOT BE USED WITHOUT WRITTEN PERMISSION		
--	--	--