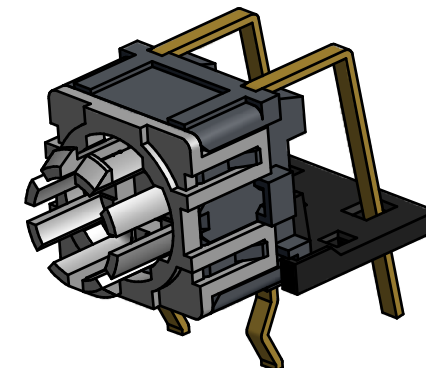
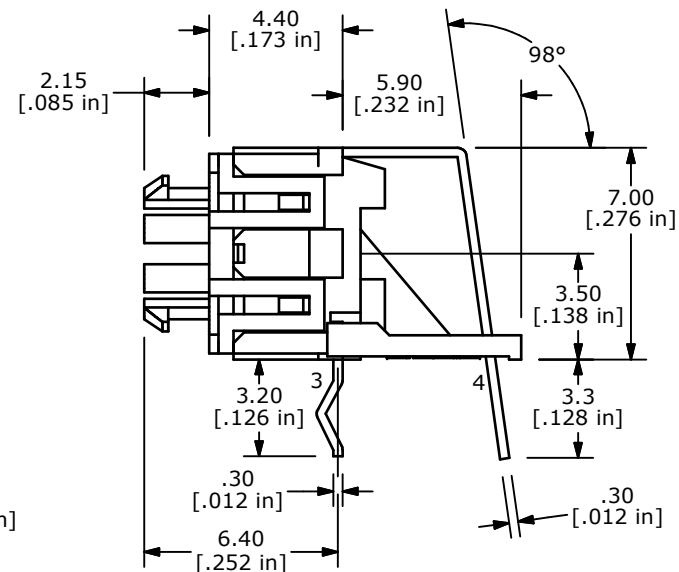
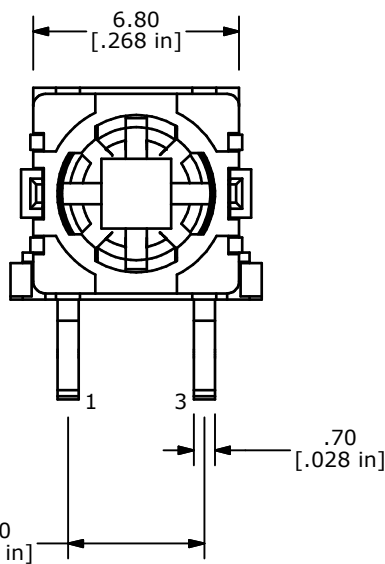


GOLD DOME
P990004



- NOTES:
1. ALL DIMENSIONS IN MM [INCH]
 2. GENERAL TOLERANCE: X.X=±0.4
X.XX=±0.25
 3. RATING: 50mA @ 12VDC
 4. CONTACT RESISTANCE: 100mΩ MAX.
 5. INSULATION RESISTANCE: 100MΩ MIN.
 6. OPERATING FORCE: 280 ± 70gf
 7. TRAVEL: 0.2 ± 0.1mm
 8. OPERATING TEMPERATURE: -20°C TO 70°C
 9. OPERATING LIFE: 50,000 CYCLES
 - ▲10. CONTACTS: GOLD.
 11. ▲ DENOTES CRITICAL PARAMETERS
 12. 2002/95/EC (ROHS) COMPLIANT
 13. PARTS TO BE PACKAGED IN TRAYS



TITLE TL1250F280ARN

A	21373	INITIAL RELEASE	2/7/14	EBP
REV	PCR NO	DESCRIPTION	DATE	BY

SCALE	DATE 2/7/2014	DR EBP	DWG P010842	REV A
-------	------------------	-----------	----------------	----------

THE INFORMATION CONTAINED IN THIS DOCUMENT IS PROPRIETARY TO E-SWITCH AND IS NOT TO BE COPIED OR TRANSFERRED